



KOREAN VEHICLES



FOREIGN VEHICLES (PAD)



FOREIGN VEHICLES (LINING)

TM **FRIXA** 
BRAKE SYSTEM

Product Catalogue
Ver.05



Distributed by
 **HANKOOK**
driving emotion

Did you notice that the **brake pedal** is typically bigger than the **acceleration pedal** in a car?



Distributed by
HANKOOK
driving emotion



For most cars, stopping is more critical than accelerating In order to achieve certain speed specifications, the car must come with an equally strong brake system. The brake pads/linings are keeping your life safe when you enjoy driving.

New Brake Pads · Linings, FRIXA

To save lives, the brake system must operate instantaneously, 1 second and 1 cm faster. With worldwide patents on state-of-the-art brake materials and technologies, FRIXA Co., Ltd. deeply cares about brake power, brake reliability, brake noise, the environment, and most importantly, human life. Please look at your brake pads / linings now! Then, switch to FRIXA brake pads / linings. FRIXA, newly improved brake pads / linings, will keep your life safe.

NEW



172, Guryong-ri, Byeollyang-myon, Suncheon-city, Jeonnam, Korea
Tel : +82-61-742-5821 Fax : +82-61-742-5825
Web-page : www.frixa.com E-mail : export@frixa.com

STOP WITH NO ERROR

NEW



Acknowledged all over the world for its up-to-date brake engineering and technical power, FRIXA cares not only about durability, noise reduction, enviromental friendliness but also your life.

New Brake Pads-Linings
FRIXA
BRAKE SYSTEM

172, Guryong-ri, Byeollyang-myon,
Suncheon-city, Jeonnam, Korea
Tel : +82-61-742-5821
Fax : +82-61-742-5825
Web-page : www.frixa.com
E-mail : export@frixa.com

In automobiles,
the ability to stop is
much more important than
to accelerate



While driving, we all wish to feel safe with the brake that reacts and responds just as quickly as our body does. Change to FRIXA today. The moment you step on it, the FRIXA brake pad gives you comfort of stopping without any error. The more powerful brake pads – **FRIXA**



1 Company Info

| | |
|------------------------|-----|
| GREETINGS | P06 |
| HISTORY | P07 |
| TECHNICAL CERTIFICATES | P08 |
| CORE TECHNOLOGY | P09 |
| S1 | P12 |
| COMPETITION | P14 |
| TAXI / ULTRA | P16 |
| LIGHT TRUCK | P18 |
| HEAVY-DUTY VEHICLE | P20 |
| ARABIC | P22 |

2 Product List

| | |
|---------------------------|-----|
| KOREAN VEHICLES | P29 |
| OVERSEAS VEHICLES(PAD) | P49 |
| OVERSEAS VEHICLES(LINING) | P73 |

3 Product Drawing - KOREAN VEHICLES

| | | | | | | | | | |
|---------|-----|----------|------|---------|------|---------|------|---------|------|
| FLD01 | 78p | FLK23 | 90p | FPH09R | 102p | FPHXGR | 114p | FPS01 | 126p |
| FLD02 | 78p | FLS01 | 90p | FPH10 | 102p | FPK01 | 114p | FPS01NR | 126p |
| FLD03 | 78p | FPD01 | 90p | FPH10N | 102p | FPK01R | 114p | FPS01R | 126p |
| FLD04 | 78p | FPD02 | 90p | FPH11 | 102p | FPK01NR | 114p | FPS02 | 126p |
| FLD07 | 79p | FPD03 | 91p | FPH11N | 103p | FPK02 | 115p | FPS03 | 127p |
| FLD08 | 79p | FPD05 | 91p | FPH12 | 103p | FPK03 | 115p | FPS03R | 127p |
| FLD09 | 79p | FPD06 | 91p | FPH12R | 103p | FPK04 | 115p | FPS04 | 127p |
| FLD10 | 79p | FPD07 | 91p | FPH014 | 103p | FPK04N | 115p | FPS04R | 127p |
| FLD11 | 80p | FPD08 | 92p | FPH15 | 104p | FPK04R | 116p | FPS05 | 128p |
| FLD11-1 | 80p | FPD08R | 92p | FPH16 | 104p | FPK05 | 116p | FPS05R | 128p |
| FLH01 | 80p | FPD09 | 92p | FPH17 | 104p | FPK06 | 116p | FPS06 | 128p |
| FLH012 | 80p | FPD10 | 92p | FPH17R | 104p | FPK06R | 116p | FPS06R | 128p |
| FLH013 | 81p | FPD010R | 93p | FPH19 | 105p | FPK07 | 117p | FPS07 | 129p |
| FLH02 | 81p | FPD12 | 93p | FPH19R | 105p | FPK7N | 117p | FPS08 | 129p |
| FLH02F | 81p | FPD12NR | 93p | FPH20 | 105p | FPK08 | 117p | FPS08R | 129p |
| FLH06 | 81p | FPD12R | 93p | FPH21 | 105p | FPK09 | 117p | FPS09 | 129p |
| FLH07 | 82p | FPD13 | 94p | FPH22 | 106p | FPK10 | 118p | FPS10 | 130p |
| FLH09 | 82p | FPD(T)14 | 94p | FPH23 | 106p | FPK10N | 118p | FPS10R | 130p |
| FLH10 | 82p | FPD15 | 94p | FPH23R | 106p | FPK11 | 118p | FPS11 | 130p |
| FLH11 | 82p | FPD16 | 94p | FPH24 | 106p | FPK13 | 118p | FPS11R | 130p |
| FLH12 | 83p | FPD16R | 95p | FPH24R | 107p | FPK14N | 119p | FPY01 | 131p |
| FLH13 | 83p | FPD17 | 95p | FPH25 | 107p | FPK15 | 119p | FPY02 | 131p |
| FLH14 | 83p | FPD17R | 95p | FPH25R | 107p | FPK15R | 119p | FPY03 | 131p |
| FLH16 | 83p | FPD18 | 95p | FPH26 | 107p | FPK16 | 119p | FPY03R | 131p |
| FLH17 | 84p | FPD19 | 96p | FPH26R | 108p | FPK17 | 120p | FPY04 | 132p |
| FLK01 | 84p | FPD19R | 96p | FPH27 | 108p | FPK17N | 120p | FPY04R | 132p |
| FLK02 | 84p | FPD20 | 96p | FPH28 | 108p | FPK18 | 120p | FPY05R | 132p |
| FLKT02 | 84p | FPD21 | 96p | FPH28NR | 108p | FPK19 | 120p | FPY06 | 132p |
| FLK03 | 85p | FPD22 | 97p | FPH29 | 109p | FPK20 | 121p | FPY07 | 133p |
| FLK4 | 85p | FPD23 | 97p | FPH30 | 109p | FPK20N | 121p | FPY08 | 133p |
| FLK07 | 85p | FPD24 | 97p | FPH31R | 109p | FPK20NR | 121p | | |
| FLK08 | 85p | FPD24R | 97p | FPH31NR | 109p | FPK20R | 121p | | |
| FLK082 | 86p | FPH01 | 98p | FPH32 | 110p | FPK22 | 122p | | |
| FLK10 | 86p | FPH01R | 98p | FPH33 | 110p | FPK23 | 122p | | |
| FLK10N | 86p | FPH02 | 98p | FPH33R | 110p | FPK24 | 122p | | |
| FLK13 | 86p | FPH02F | 98p | FPH34 | 110p | FPK25 | 122p | | |
| FLK13N | 87p | FPH02NF | 99p | FPH35 | 111p | FPK25R | 123p | | |
| FLK14 | 87p | FPH02NR | 99p | FPH35R | 111p | FPK26 | 123p | | |
| FLK14N | 87p | FPH02S | 99p | FPH35NR | 111p | FPK27 | 123p | | |
| FLK15 | 87p | FPH04 | 99p | FPH36 | 111p | FPK28 | 123p | | |
| FLK15N | 88p | FPH04R | 100p | FPH36R | 112p | FPK29 | 124p | | |
| FLK16 | 88p | FPH05 | 100p | FPH37 | 112p | FPK30 | 124p | | |
| FLK17 | 88p | FPH05R | 100p | FPH38 | 112p | FPK30R | 124p | | |
| FLK18 | 88p | FPH06 | 100p | FPH38R | 112p | FPK31 | 124p | | |
| FLK19 | 89p | FPH07 | 101p | FPH39 | 113p | FPK32 | 125p | | |
| FLK20 | 89p | FPH08 | 101p | FPHXDF | 113p | FPK32R | 125p | | |
| FLK21 | 89p | FPH09 | 101p | FPHXGF | 113p | FPK33 | 125p | | |
| FLK22 | 89p | FPH09N | 101p | FPHXGN | 113p | FPK33R | 125p | | |

4 Product Drawing - FOREIGN VEHICLES (PAD)

| | | | | | | | |
|----------|------|--------|------|--------|------|--------|------|
| FPE011 | 134p | FPE089 | 146p | FPE144 | 158p | FPE216 | 170p |
| FPE012 | 134p | FPE090 | 146p | FPE145 | 158p | FPE217 | 170p |
| FPE013 | 134p | FPE091 | 146p | FPE149 | 158p | FPE218 | 170p |
| FPE014 | 134p | FPE092 | 146p | FPE151 | 158p | FPE219 | 170p |
| FPE015 | 135p | FPE096 | 147p | FPE152 | 159p | FPE220 | 171p |
| FPE016 | 135p | FPE097 | 147p | FPE156 | 159p | FPE221 | 171p |
| FPE017 | 135p | FPE098 | 147p | FPE157 | 159p | FPE222 | 171p |
| FPE06 | 135p | FPE099 | 147p | FPE158 | 159p | FPE223 | 171p |
| FPE018 | 136p | FPE100 | 148p | FPE159 | 160p | FPE224 | 172p |
| FPE019 | 136p | FPE101 | 148p | FPE160 | 160p | FPE225 | 172p |
| FPE020 | 136p | FPE102 | 148p | FPE161 | 160p | FPE227 | 172p |
| FPE021 | 136p | FPE103 | 148p | FPE162 | 160p | FPE229 | 172p |
| FPE022 | 137p | FPE104 | 149p | FPE163 | 161p | FPE233 | 173p |
| FPE023 | 137p | FPE105 | 149p | FPE164 | 161p | FPE234 | 173p |
| FPE024 | 137p | FPE106 | 149p | FPE165 | 161p | FPE235 | 173p |
| FPE024N | 137p | FPE107 | 149p | FPE166 | 161p | FPE236 | 173p |
| FPE024NR | 138p | FPE108 | 150p | FPE167 | 162p | FPE237 | 174p |
| FPE025 | 138p | FPE109 | 150p | FPE168 | 162p | FPE238 | 174p |
| FPE026 | 138p | FPE110 | 150p | FPE169 | 162p | FPE239 | 174p |
| FPE027 | 138p | FPE111 | 150p | FPE170 | 162p | FPE366 | 174p |
| FPE028 | 139p | FPE113 | 151p | FPE173 | 163p | | |
| FPE029 | 139p | FPE114 | 151p | FPE174 | 163p | | |
| FPE030 | 139p | FPE115 | 151p | FPE175 | 163p | | |
| FPE031 | 139p | FPE116 | 151p | FPE176 | 163p | | |
| FPE035 | 140p | FPE117 | 152p | FPE178 | 164p | | |
| FPE036 | 140p | FPE118 | 152p | FPE179 | 164p | | |
| FPE037 | 140p | FPE119 | 152p | FPE180 | 164p | | |
| FPE038 | 140p | FPE120 | 152p | FPE181 | 164p | | |
| FPE039 | 141p | FPE122 | 153p | FPE182 | 165p | | |
| FPE040 | 141p | FPE123 | 153p | FPE183 | 165p | | |
| FPE041 | 141p | FPE124 | 153p | FPE184 | 165p | | |
| FPE042 | 141p | FPE125 | 153p | FPE185 | 165p | | |
| FPE043 | 142p | FPE126 | 154p | FPE186 | 166p | | |
| FPE047 | 142p | FPE127 | 154p | FPE187 | 166p | | |
| FPE048 | 142p | FPE128 | 154p | FPE188 | 166p | | |
| FPE053 | 142p | FPE129 | 154p | FPE189 | 166p | | |
| FPE057 | 143p | FPE130 | 155p | FPE190 | 167p | | |
| FPE058 | 143p | FPE131 | 155p | FPE191 | 167p | | |
| FPE060 | 143p | FPE132 | 155p | FPE192 | 167p | | |
| FPE062 | 143p | FPE133 | 155p | FPE193 | 167p | | |
| FPE064 | 144p | FPE134 | 156p | FPE194 | 168p | | |
| FPE079 | 144p | FPE135 | 156p | FPE195 | 168p | | |
| FPE080 | 144p | FPE136 | 156p | FPE196 | 168p | | |
| FPE082 | 144p | FPE137 | 156p | FPE197 | 168p | | |
| FPE083 | 145p | FPE138 | 157p | FPE212 | 169p | | |
| FPE084 | 145p | FPE139 | 157p | FPE213 | 169p | | |
| FPE087 | 145p | FPE142 | 157p | FPE214 | 169p | | |
| FPE088 | 145p | FPE143 | 157p | FPE215 | 169p | | |

5 Product Drawing - FOREIGN VEHICLES (LINING)

| | |
|--------|------|
| FLE01 | 175p |
| FLE02 | 175p |
| FLE03 | 175p |
| FLE04 | 175p |
| FLE05 | 176p |
| FLE06 | 176p |
| FLE07 | 176p |
| FLE18 | 176p |
| FLE09 | 177p |
| FLE10 | 177p |
| FLE11 | 177p |
| FLE12 | 177p |
| FLE13 | 178p |
| FLE14 | 178p |
| FLE15 | 178p |
| FLE16 | 178p |
| FLE17 | 179p |
| FLE18 | 179p |
| FLE023 | 179p |
| FLE024 | 179p |

Through innovative management
and high-tech strategy for the best quality,

**FRIXA has searched for customer's
dignity and has become one of the highest
standard global enterprises.**



FRIXA, jumping lively towards the world.

**Based on the certified
technical capability,
FRIXA plays a leading role in
globalization of Korean technology.**



FRIXA was established in August, 1991 with the head office and production site in Suncheon.

It has been developing new products and improving the quality in collaboration with R&D center in Suncheon, and supplying the products through Hankook Tire's distribution network.

FRIXA upgraded its production system by certifications of TS16949 and ISO9001 in January, 2004.

FRIXA products protect driver's safety and enhance comfort with the excellent braking performance, thermal endurance, durability, low noise and minimized wheel dust. It is exporting excellent products to more than 20 countries all over the world.

FRIXA has grown up to a global enterprise with customers' confidence and support, and has come to participate in the brake system parts business for automobiles and industrial machinery, as a part of the Group's business line expansion programme.

Through the continuous development of advanced technology and strict quality control, FRIXA has been recognized as a promising enterprise specializing in the friction material.

Top quality brake pads and eco-friendly products have made FRIXA acknowledged, at home and abroad, as one of the most prominent automotive parts manufacturers.

We are deeply grateful for customers' attention and support that have brought us to achieve all these things, and promise to reciprocate with our continuous passion. Also, we will ceaselessly challenge to become the first class enterprise which considers customers' benefit more important than anything else.

Thank you.

CEO, FRIXA CO., LTD.

Kim, Eun-Soo

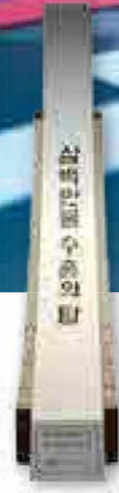
- 1991** Company establishment
- 1996** Secured patents in Korea, U. S. A, Japan, Germany
Certified of Korea Standard
- 2001** Created dedicated R&D division(Korea Industrial Technology Association)
- 2003** Certified of QS9000 and ISO9001
- 2004** First release of Premium Pad
- 2005** Selected as one of the best products in second half of 2005(by Hankook Ilbo)
Certified of ISO/TS 16949 and ISO9001
First release of racing brake pad
- 2006** Designated as a promising export small enterprise
Contracted for authorized sponsorship of racing brake pads for Speed Festival held by KMRC
- 2007** Designated as a promising small enterprise
- 2008** Secured E mark (E9-90R-01.813/547) authorized by EU
- 2009** First release of racing disc rotor
Disc brake pad was selected for an officially designated component for 2009 CJ O SUPER RACE held by KGTCR
Awarded One Million US Dollars as export tower by Ministry of Knowledge and economy
- 2010** Continued Disc brake pad and disc rotor were selected for an officially designed components for 2009 CJ O SUPER RACE held by KGTCR
Designated as small business of technical innovation
Awarded various prize by Provincial Government
Launched "SPY MOTORSPORT" for Caterham race car, UK
Launched "BURNETT MOTORSPORT" for Legend race car, UK
- 2011** Officially sponsors of ATLAS BX, TEAM106
TONY KART win the JUNIOR CHAMPIONSHIP in the UK
- 2012** The selection of Officially designation componentry in the KOREA SPEED FESTIVAL
ISO14001 : Environment management system's certification
Award Minister prize from the ministry of knowledge Economy
Award of Export for \$3 million
- 2013** Designated as official Stock Car's component suppliers in the CJ Super Race
Appointed as official component suppliers for the KSF: GENESIS Coupe 20 Class
Official component suppliers for the Chevrolet Racing Team
Official sponsors of ATLAS BX Racing Team
Participation in Automotive week 2013
Launch of the new S1 Caliper Disc Brake
- 2015** Launch of new office in Seoul
Acquisition of E-Mark, total 122 products
MAIN-BIZ and INNO BIZ Certification

Technical Certificates

FRIXA Core Technology

- We guarantee the accurate and safe braking system.
- We manufacture and provide the brake system of all kinds of cars from the passenger car to the light truck.
- The products of FRIXA have low noise in all vehicles.

2012
Three Million Dollar Export Tower



E-Mark



Form No.100697 Patent



Form No.100698 Patent



Form No.10-0784333 Patent



Form No.10-0784333 Patent



Form No.10-1059548 Patent



Form No.10-1160666 Patent



ISO 9001:2008

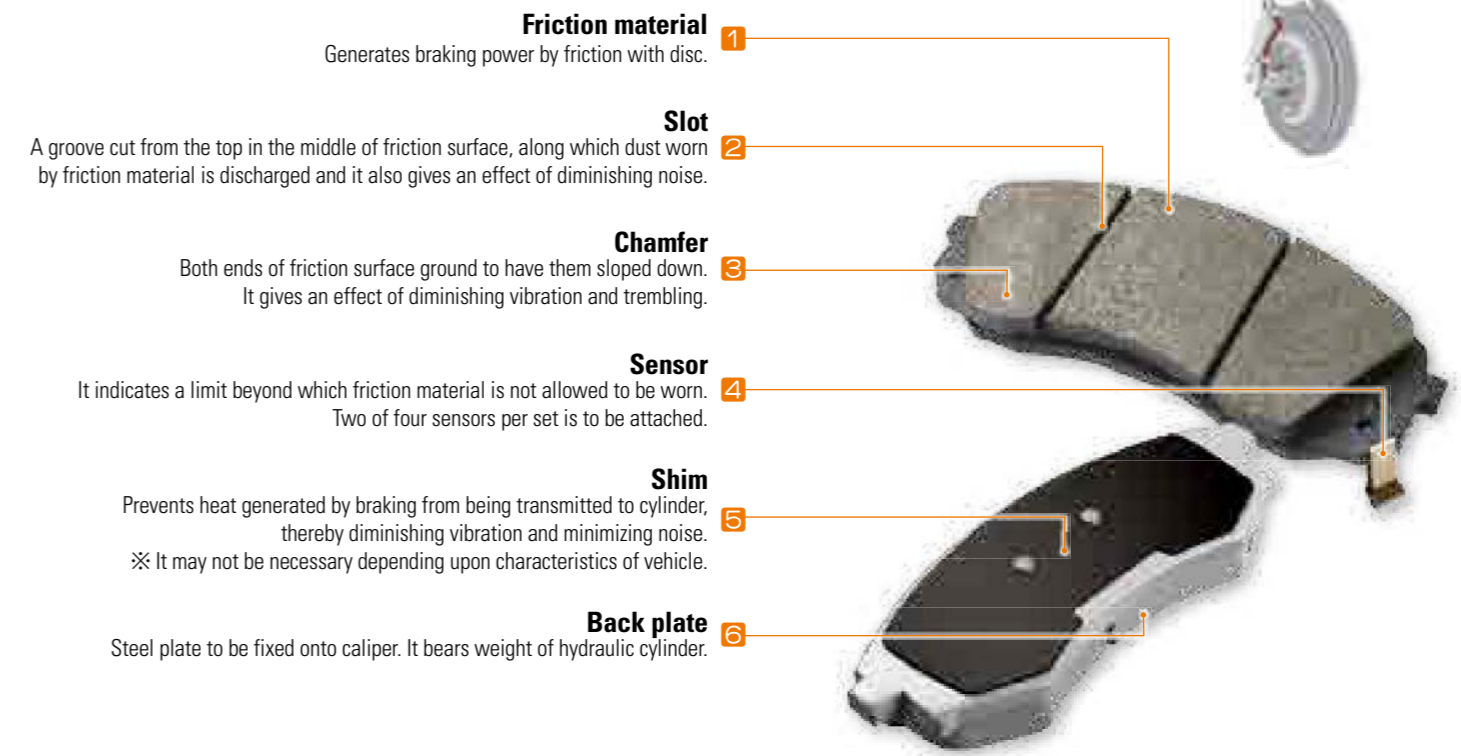


ISO/TS 16949:2009



ISO 14001:2004

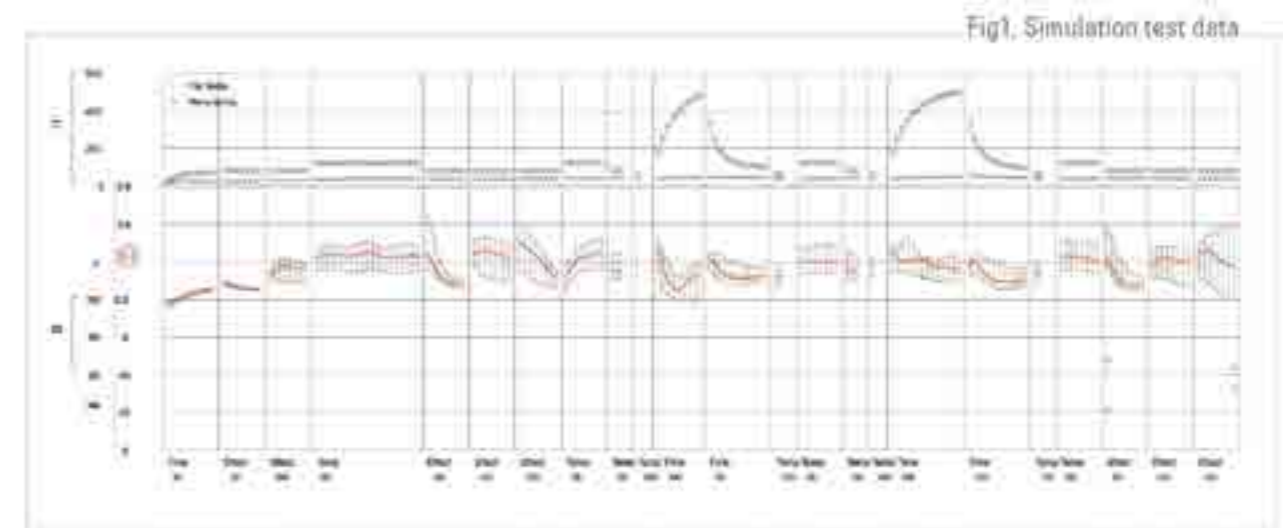
FRIXA Composition



FRIXA Core Technology

Excellent braking control(power)

With average friction co-efficient of 0.36 - 0.40 μ , it is excellent in braking power. Though in general braking deviation is caused by variation in speed and temperature, FRIXA is capable of stable braking power under any circumstances.



FRIXA, the most prominent brake parts manufacturer, producing value rather than products that provides both satisfaction in quality and care about the environments.

One-step-ahead science achieved by constant research and development is FRIXA's attraction.



FRIXA Core Technology

- We guarantee the accurate and safe braking system.
- We manufacture and provide the brake system of all kinds of cars from the passenger car to the light truck.
- The products of FRIXA have low noise in all vehicles.

Reduction in noise

You can drive comfortably with virtually little noises (below 70db). In general, braking noise not only gives a driver unpleasant feeling but also makes him/her very tired. FRIXA minimizes noise, thus enabling you to drive comfortably.

Keeping wheel dust to a minimum

Use of metallic materials, a major cause of wheel dust, is kept to a minimum and advanced materials such as Aramid fiber, K2O etc. are adopted as major materials to diminish wheel dust, thus keeping wheels clean.

Excellent braking power

FRIXA product's braking power is excellent, with average friction coefficient of 0.36-0.4μ. There could be braking deviation depending on variation of speed or temperature, but FRIXA products maintain stable braking power under various circumstances.

Reduced Noise

Almost no noise of FRIXA product under 70dB provides comfortable driving. Braking noise produces displeasure and intensifies physical fatigue of driver. FRIXA product minimizes the noise for comfortable driving.

Minimized Wheel Dust

Metallic series materials of major cause of the wheel dust is minimized with FRIXA products, and high grade materials of aramid fiber and titanic acid kalium instead is adopted for main materials, to reduce the wheel dust and maintain clean wheel condition.

Minimized Damage to Disc Rotor

Damage to the disc rotor by brake friction material causes driver's displeasure or disturbs stable braking function. FRIXA products have minimized this.

Excellent Safety at High Temperature

FRIXA product's excellent fade-resistance at repeated braking under high temperature enables safe driving at all times. (Fade: The phenomenon that braking function is impeded by decrease of friction coefficient at high temperature of the friction material)



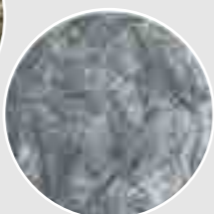
Environment friendly Products

FRIXA product's top priority is the environment and health, which do not have in the friction material ingredients the harmful heavy metals of Pb, Cd, Hg or Cr, neither the asbestos nor the glass fiber that may cause lung cancer if breathed in.

High Grade Material

Titanic Acid Kalium

- Excellent heat resistance, insulation and abrasion resistance
- Extended life span due to 3.5-4.0 times higher tensile strength than that of the normal material



Aramid Fiber

- High grade material of superior tensile strength and high elastic
- Minimized wheel dust due to less adhesion to wheel of the abrasion dispersion.

Comparison of Wheel dust



FRIXA

Renders wheels clean by using advanced materials (wheel dust is kept to a minimum)



Others

Renders wheels contaminated by dust due to use of metallic materials such as steel fiber

Use of advanced materials



K₂O 6TiO₂

- Excellent in heat-resistance, insulation and durability
- Extended lifetime due to tensile strength strong 3.5-4 times



Aramid fiber

- Excellent in tensile strength and elasticity
- Wheel dust is kept to a minimum as only a little of worn dust is adhered to wheel surface.

Minimizes damage to disc rotor

Damage to disc rotor caused by brake friction material may give you unpleasant feeling while driving or a brake may not work in a properly stable condition. FRIXA minimizes damage to disc rotor.

FRIXA minimizes damage to disc rotor using less metallic materials

Metallic materials like steel fiber cause damage to disc rotor, thus generating harsh noise and making it difficult for you to drive safely. FRIXA improves the problem by using less metallic materials.

Superb High Temperature Stability

Despite repeated braking in overheated condition (high temperature), it is superb in anti-fade property, thus enabling you to drive safely.

※Fade : When friction material is overheated, its friction coefficient drops, thereby losing braking power.

Eco-friendly product

Heavy metals i. e. Pb, Cd, Hg, Cr, hazardous to the human body are not used in friction material (pad). Asbestos and glass fiber which, if inhaled, cause lung cancer are not used either. FRIXA considers protection of environment and human health to be top priority.



Premium edition

FRIXA S1

With more superb performance than that of original version.

FRIXA S1 is the choice of smart customers.

You will be extremely satisfied with its superb performance and reasonable price level.



Safe Driving! FRIXA S1 tells about essence of automotive brake.



In auto races requiring extreme braking performance, Frixia S1 is the only brake pad in Korea that competes with globally known brands of brakes.

- Nominated as official parts by 'CJ O Super Race'(the biggest auto race in Korea) for its main event of the Super 3800 Class(Genesis Coupe Race).
- Exclusively supplied to SPY-Motorsport, a the champion team of the 'Super light R300 Championship 2009' in United Kingdom.

FRIXA S1, where cutting edge racing technology is applied, keeps your safety under any circumstances by realizing high degree of braking control and stability at the same time.

- Average friction co-efficient exceeds 0.43μ(0.37μfor our previous version)

Successful Experience! FRIXA S1, New experience with eco-friendly driving.



Adopts NAO (Asbestos-free eco-friendly material) compound (??) technology which minimizes content of steel, the cause of brake noise, and dust and hard touch.

No longer brake noise harsh to your ears and sluggish reaction speed. FRIXA S1 enables you to feel something smooth at the tip of your toes, reacting sensitively to what you are doing. It gives you pleasure of real driving.

Smart Choice! FRIXA S1 is a choice of smart customers.



You, insisting upon an original! You are entitled to be assured of safety by far better performance.

FRIXA S1, introduced at reasonable price level, serves your needs to your complete satisfaction with highest performance-to-price.

Premium edition

FRIXA S1

- We guarantee the accurate and safe braking system.
- We manufacture and provide the brake system of all kinds of cars from the passenger car to the light truck.
- The products of FRIXA have low noise in all vehicles.



Adoption of Double slot

It prevents dust from being stuck to slot or disc surface which causes braking control to be deteriorated. It also plays a role of lowering high temperature caused by friction.



Adoption of rubber coating shim

It prevents vibration and heat caused by friction from transmitting to caliper. It reduces noise/ vibration and maintains stable braking power.

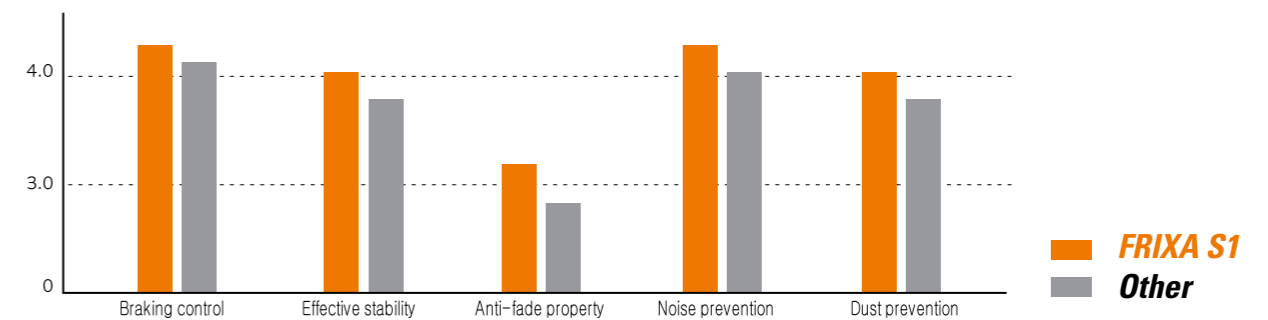


Back plate color

Applies luxurious silver color and texture.



Performance comparison table between premium products



- The higher number in the chart, means higher value quality.

FRIXA COMPETITION

Core Technology

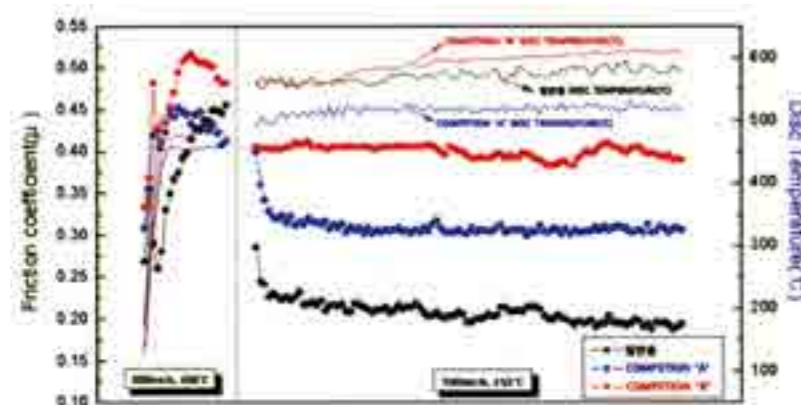
- We guarantee the accurate and safe braking system.
- We manufacture and provide the brake system of all kinds of cars from the passenger car to the light truck.
- The products of FRIXA have low noise in all vehicles.



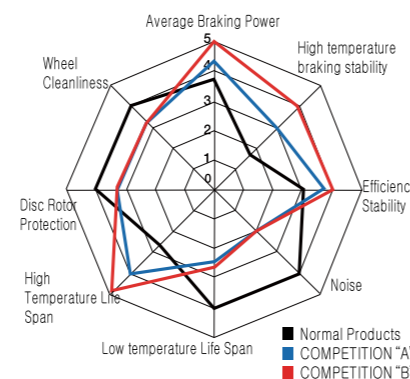
FRIXA COMPETITION has been developed for car racers and speed mania. With the high function compound material of the ceramic fiber, it exercises strong braking capacity (high temperature braking power 0.30-0.45). The braking power and the stability also has been improved for the competition for 0.001 second, with minimized braking declination at high temperature and fade control at repeated braking.

Pad for expert racing, Blazing Red Color Back Plate, Strong Braking Power with Minimized Braking Declination at High Temperature, Fade Control at High Temperature and Repeated Braking (workable at ultra high temperature of 800°C), Application of Scorching Method. Increased Initial Bite.

Simulation Test Data



Products Characteristics Comparison



Strong braking capacity for Racing



FRIXA COMPETITION is optimized for racing with the friction coefficient of 0.30-0.35 μ level for COMPETITION "A" and the 0.38-0.45 μ level for COMPETITION "B", while that of the normal pads under the racing is 0.25-0.15 μ level.

Stability at High Temperature



When the average friction coefficient is high, braking declination occurs depending on the change of speed and braking temperature, but FRIXA COMPETITION maintains excellent braking stability and fade resistance in such changes.

Abrasion Resistance at High Temperature



Racing pad has to have abrasion resistance at high temperature, because it has to work frequently at high speed and high temperature. FRIXA COMPETITION is suitable for racing with its braking power and stability as well as the abrasion resistance.
Usable Temperature Range: 300-800

Improved Adhesion Strength at High Temperature



High temperature is produced during racing from the speed reduction and braking at ultra high speed, and the friction material may separate from the back plate under the high temperature. For FRIXA COMPETITION, the strength reinforced back plate is developed by FRIXA's patent technology, to improve the adhesion strength and prevent such separation under high temperature.

Verified Performance



FRIXA COMPETITION is being used at Korea's most prominent professional racing competition of the CJ Super Race 3800 Class, 2000 Class and 1600 Class, receiving applausive responses from all the racers of the participating teams.



TAXI / S1 TAXI

Confidence in Perfect Control!

Safety insurance for the customers!
You are already a confident man.

Confidence in driving! The confidence may have some reasons. Find the answer with FRIXA.

With the FRIXA 'Taxi', the life span of the friction material is extended by about 40% than that of the normal products with the NAO series ingredients in the material, the wheels can be cleanly maintained all the time because the wheel defilement is reduced with the ingredients of the high-tech fiber of the kevlar and potassium titanate instead of the steel fiber, which is the main cause of such defilement by dusts from braking, and the disc rotor abrasion also is reduced.

Excellent braking-Reduced Noise-Minimized Disc Rotor

Abrasion-Environment friendly Products-Minimized Wheel Dust



TAXI / S1 TAXI

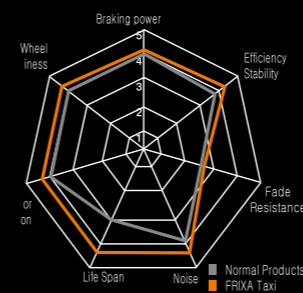


FRIXA TAXI / S1 TAXI

Core Technology

- We guarantee the accurate and safe braking system.
- We manufacture and provide the brake system of all kinds of cars from the passenger car to the light truck.
- The products of FRIXA have low noise in all vehicles.

FRIXA Taxi



Excellent Braking

It has excellent braking efficiency, abrasion resistance and reduced noise, which is good for such vehicles that require abrasion resistance as those for commercial use. Average friction coefficient is 0.36-0.40 μ level, and it allows stable braking performance even at the time of instant or repeated stops, because the braking declination is reduced.

Extension of Life Span

Its life span is about 40% longer than that of the normal products for passenger cars.

Reduced Noise

Braking noise produces displeasure and intensifies physical fatigue of driver. FRIXA product minimizes the noise for comfortable driving.

Minimized Damage to Disc Rotor

Generally, the product of improved abrasion resistance causes more damage to disc rotor, but FRIXA TAXI produces transition layer on its surface at the time of friction to minimize the damage to the disc rotor.

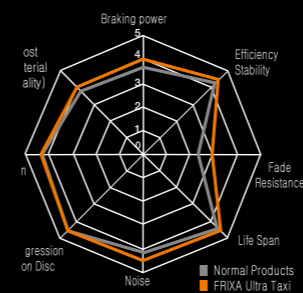
Environment Friendly Product

It protects pad replacement worker's health, because it does not have in the friction material the harmful heavy metals of Pb, Cd, Hg or Cr, neither the asbestos nor the glass fiber that may cause lung cancer if breathed in.

Minimized Wheel Dust

It produces only a little amount of wheel dust and keeps the wheels clean all the time.

FRIXA S1Taxi



Extension of Life Span

Its life span is more than 100% longer than that of the normal pads for passenger cars.

Excellent Braking

Average friction coefficient is 0.36-0.40 μ level, which ensures stable braking performance even at the time of instant and repeated braking.

Comfortable Driving with Low Noise

Braking noise is minimized to allow comfortable driving.

Less Wheel Dust

Wheel dusts sticking to the wheel is minimized to keep the wheels clean all the time.

Minimized Damage to Disc Rotor

It produces film layer between the friction material and the disc, which reduces the damage to the disc rotor and abrasion of the pad.



FRIXA LIGHT TRUCK

Core Technology

- We guarantee the accurate and safe braking system.
- We manufacture and provide the brake system of all kinds of cars from the passenger car to the light truck.
- The products of FRIXA have low noise in all vehicles.

LIGHT TRUCK
**Confidence in
 Perfect Control!**
So, you are safe!

FRIXA Light Truck has been developed with the top priority given on the driver's safety, to exercise stable braking power under such diverse operating conditions for the light trucks, as the different cargo loads or various road conditions, and to maintain constant braking performance at high temperature frequently produced by repeated braking.

*Excellent braking Reduced Noise Least Damage to Disc Rotor
 Environment-friendly Product Least Wheel Dust*

Excellent Braking

FRIXA LT is designed to minimize the brake slide phenomenon with the advanced high grade material to ensure stable braking power at high speed driving or the instant and repeated braking.

Minimized Noise

Braking noise produces displeasure and intensifies physical fatigue of the driver. FRIXA LT minimizes the noise and vibration for comfortable driving.

Extended Life Span

With the high grade material, the life span is extended to be 1.5 times of the normal pads.

Anti-Vibration Chamfer

The chamfer on each end of the lining reduces vibration to help comfortable driving.

Convenience

Wear limit line shows the lining replacement time.

Excellent Stability

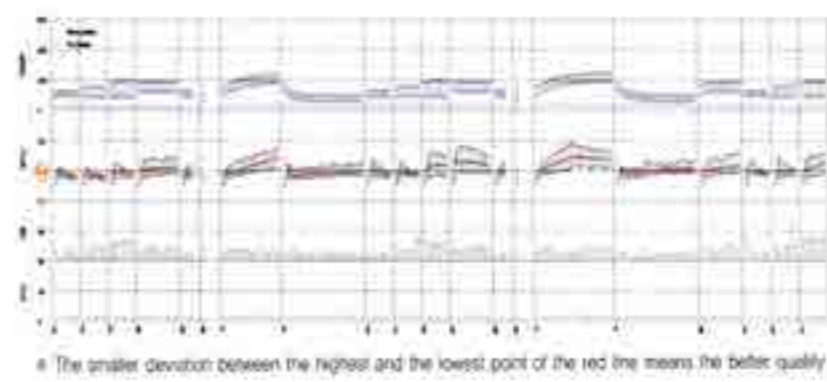
The steel rivet strengthens the combination of the lining and the shoe to prevent the lining's escape from the shoe.



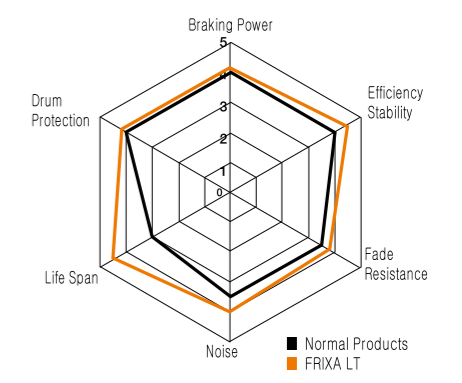
**New Concept Brake Lining satisfying all the demands
 of braking power, Low Noise and Extended Life Span!**



Simulation Test Data



Products Characteristics Comparison





FRIXA HEAVY-DUTY VEHICLE Core Technology

- We guarantee the accurate and safe braking system.
- We manufacture and provide the brake system of all kinds of cars from the passenger car to the light truck.
- The products of FRIXA have low noise in all vehicles.

Strong Braking Power for Heavy-duty Trucks

FRIXA HEAVY-DUTY VEHICLE's average friction coefficient(0.40-0.45 μ for pad, 0.35-0.40 μ for lining) is suitable for the characteristics of the heavy-duty tractors or the heavy-load dump trucks, demonstrating excellent braking power.

Fade Resistance at High Temperature

Its fade resistance is excellent, which means it maintains constant friction force under the high temperature caused inevitably by braking of the heavy trucks with weighty loads.

Stability at High Temperature

It maintains constant friction force and stability at high temperature, regardless of the velocity of the vehicle or the pressure on the brake pedal.

Extended Life Span

It assures superior life span to other products with the excellent heat resistance and fade resistance under the high temperature which frequently occurs to the heavy duty trucks.

Minimized Aggression on Counterpart

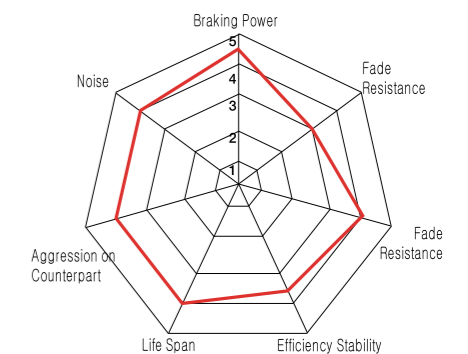
The friction compound's aggression on counterpart is minimized to protect the disc rotor and the drum and prevent noise at braking.

For the take-off for Northeast Asian logistics hub, specialization of logistics and reduction of logistics cost is very important. With the high-tech materials, the life span of FRIXA Heavy Duty Vehicle is significantly extended. Logistics specialist choose FRIXA's Heavy-duty Vehicle FX lining. Besides the reduction of logistics cost, it ensures safe drive back home.

Simulation Test Data



Products Characteristics Comparison



HEAVY-DUTY VEHICLE



Brake Pads for Scania / Benz / Volvo



Brake Pads for Scania / Benz / Volvo

Through innovative management and high-tech strategy for the best quality

معلومات عن الشركة > تقديم الشركة

تجتهد شركة فوريكسا لجودة العالية من العميل بشركة قادرة على المنافسة عالميا مع أفضل جودة من خلال الإدارة المبتكرة والاستراتيجية التكنولوجية .

شركة فوريكسا إحدى شركة عائلية من شركة تاييبو هانكوك المحدودة التي نمت بشركة عالمية مع الثقة والحب العملاء وقيادة من ثقافة السيارة ، وشاركت في معدات الفرامل السيارات ومجال قطع الغيار من معدات الفرامل للآلات الصناعية لتوسيع المجالات العمل الجديدة .

وتجتهد شركة فوريكسا لزيادة تحسين الأمانة العميل ومتعة القيادة ، ونمت بشركة متخصصة في الاحتكاك مع معترف من المحلية والخارجية بالتطور التقني المستمر وإدارة الجودة .

خاصة ، وقد أنتجت الدور القرص وسنادات الفرامل السباق باعتراف الزهور التقنية لقطع غيار السيارات وتطوير منتجات صديقة للبيئة للوقاية من التلوث ، فاعترفت المحلية والخارجية لهذه التكنولوجيا .

وقد تم كل هذا في مصلحة العملاء والتشجيع ونشكر بإخلاص ، وشركتنا هي الشركة التي تعتقد دائما الزبائن أولا ، وسوف نتجتهد بكثرة مع الحماس والتحدي الاستمرار .

شكرا .

لمحة عن الشراة

نبذة عن تاريخ الشركة

زعيمة شركة فوريكسا للمنتجات المواد الاحتكاك المجموع

حققت شركة فوريكسا البحث والتطوير المستمر من أجل عولمة في التكنولوجيا الكوري ، وتقوم الجهود من شركة فوريكسا بمستمرة حتى اليوم لأفضل التكنولوجيا في العالم .



تأسست شراة B&M مانتى في أغسطس 1991 ، وقد تتم دورة قيادية في تكنولوجيا المواد الاحتكاك في أوربا إلى المستوي العالم ، وتغيرت اسم الشراة إلى شراة فوريكسا في أبريل 2004 ، وتريد أن تقفز بمره أخرى بقوة .

وتجتهد لانتاج المنتجات وتطويرها من خلال معهد للتكنولوجيا من شراة تاييبو مانكوك المحدودة في دايجون ومقرها في سون تشون ، وتبع بطريق شراة مانكوك تاييبو المحدودة .

حصلت على شهادة TS 16949 و ISO 9001 ، وقد ارتفعت النظام إلى خطوة أعلى ، وتصدر إلى العالم بهذه الفرصة .

وتكون المنتج "FRIXA" مراقبة لأمانة السيارة والسائق بأداء الكبح الممتاز والمقاومة للحرارة وقوة التحمل ، وتتم

تكنولوجيا من الهادئ ومنع الغبار العجلة بزيادة أآثر في أرامة السائق

1991~1995

1. تأسيس شركة كومسان سوجاي المحدودة
2. حصل على جائزة رئاسية (مساهمة في التنمية الصناعية في البلاد بتوطين الآلية)
3. حصل على جائزة من وزير الصناعة (اختيار بأفضل المنتج التي عرضت مسحوق الحديد الانخفاض للمواد الاحتكاك في معرض المنتجات للدعم المشاريع المنشآت الصغيرة والمتوسطة بأول مرة .
4. اختيار بشركة الصغيرة والمتوسطة الواعدة لقيادة دولية (تحديد وفقا لأحكام المادة 6 من تركيب وتشغيل الصندوق لتنمية المشاريع الشركة الصغيرة والمتوسطة بإقليم جولا الجنوبي)
5. إنتاج الحديد المسحوق الانخفاض بطيار

1996~2000

1. خطة التطوير للمنتجات المصنعة من مواد الاحتكاك
2. بيع المنتجات المصنعة من مواد الاحتكاك بطيار
3. تغيير اسم الشركة (من موسانويجاي إلى A&M هانتا)
4. حصل على براءات الاختراع (كوريا والولايات المتحدة واليابان والمانيا)
5. شهادة الموحدة الصناعية الكورية
6. شهادة علامة GQ (منتجات جيدة من الصغيرة والمتوسطة)
7. تسجيل العلامة التجارية (GRAMIX)

2001~2005

1. تأسيس قسم البحث والتطوير
2. شهادة ISO 9001 ، QS 9000
3. تغيير اسم الشركة (من B&M هانتا إلى فوريكسا)
4. إصدار منصات علاوة بأول
5. اختيار بأفضل منتجات جديدة في نصف الثاني من عام 2005 (جريدة هنتوك)
6. شهادة ISO/TS 16949 ، ISO 9001
7. إصدار منصات الفرامل للسباقات بأول

حتى الآن ~2006

1. تعيين بشركة الصغيرة والمتوسطة لتصدير واعدة
2. توقيع الزراعي الرسمي بمنصات الفرامل للسباقات من مهرجان السرعة (المنظمون KMRC)
3. تعيين بشركة الصغيرة والمتوسطة الواعدة
4. حصل على مارك E من شهادة اوروبية (E9 - 90R - 01 813/547)
5. إصدار الدورات القرص للسباقات بأول
6. اختيار أجزاء الرسمية بمنصات الفرامل والقرص من 2009 CJ O SUPER RACE (المنظمون KGTCR)
7. تأسيس معهد الأبحاث والتطوير من شركة فوريكسا



FRIXA

Core Technology

تقديم المنتجات > التكنولوجيا الجوهر

لا يزال شركة فريكسا قدما بالبحث والتطوير المستمر .
فريكسا هي شركة الزعيمة المنتجات الاحتكاك المجموع ، أكثر ارتياحا مع المنتج خارج القيمة النظر عن
البيئة والتعایش مجموع الاحتكاك المنتجات براص عن منتج ما وراء قيمة لرعاية البيئة .

الكبح ممتاز - المنتج ممتاز الكبح بمستوى $0.36 \sim 0.40 \mu$ في معامل الاحتكاك المتوسط . وتتحدث الانحراف من
الكبح اعتمادا على تغيير في السرعة ، وتغييرات درجة الحرارة في شكل عام ، FRIXA هو منتج ممتاز مع الفرملة
المستقرة في العديد من الحالات .

تخفيض الضوضاء - لا يكون أي ضجيج (أقل من 70dB) ، فيمكن أن تكون قيادة مريحة ، تؤدي الضجيج عند
أثناء الكبح للسائق ويمكن إضافة إلى التعب . وتقوم FRIXA بتقليل الضجيج ويمكن للقيادة المريحة .
تقليل الغبار من العجلة - مع التقليل من استخدام المواد السلسلة المعدنية التي تسبب الغبار من العجلة ، وطورت
بالمواد المتقدمة مثل الألياف الأراميد وتيتانات البوتاسيوم ($K_2O \cdot 6TiO_2$) ، فتقلل الغبار العجلة ويمكن أن تحتفظ
العجلة بنظيفة دائما .

استخدام المواد المتقدمة

تيتانات البوتاسيوم ($K_2O \cdot 6TiO_2$) - ممتاز المقاومة للحرارة ، ممتاز العزل الحراري ، ممتاز المقاومة للكشط / قوة
الشد أقوى بـ 3.5-4 من المادة العامة ، تمتد الحياة .
لألياف الأراميد - ممتاز من قوة الشد ومعامل المرونة / يتمسك الغبار الكشط في السطح العجلة بقليل ، فتكون
الوقوع من الغبار العجلة بقليلة .

تقليل الضرر في الدوار القرص - يمكن الضرر في الدوار القرص بسبب الاحتكاك الفرامل أن تسبب عدم الراحة
أثناء القيادة ، ولا تكون قادرة على القيام عند الفرملة . هذا FRIXA هو منتج بتقليله .

ممتاز لدرجة الحرارة العالية - يمكن القيادة الأمانة بمقاومة الممتازة للفرامل عند عدة الفرملة في درجة
الحرارة العالية . (فقدان الفرامل : عندما تكون المواد الاحتكاك في درجة الحرارة العالية ويتم خفض المعامل الاحتكاك
فيكون فقدان الكبح)

المنتجات الصديقة للبيئة - لا تستخدم المعادن الثقيلة التي تكون ضرورية في الجسم من مكونات المواد الحتكاك مثل
الكاديوم ، والزنك ، والكروم ، ولا تستخدم الأسبست التي تسبب سرطان الرئة عند استنشاقه والألياف الزجاجية ،
فهذا المنتج يتعلق بالبيئة والصحة .

COMPETITION



رياضة السيارات < منصة الفرامل السباقات

(معلومات التقنية) القوة القوية التي تسيطر علينا ! عقوبة بثانية 0.001

FRIXA COMPETITION (كومبيوتيسون فريكسا) هو منتج لعشاق الذي يتمتع بالسرعة والمنافسة
السباقات . وتمارس أداء الكبح القوي باستخدام ألياف السيراميك الذي يكون المواد المركبة بأداء العالية (القوة الكبح في
درجة الحرارة العالية $0.30 \sim 0.45 \mu$) ، وتقلل فقدان الفرامل عند عدة الفرملة في درجة الحرارة العالية ، ويتم
تعزيز الكبح والاستقرار في الموقع العملي أن تتعامل 0.001 ثانية .
منصة للسباقات الفنة الفنية ، تطبيق ببلانيت أسود من سلسلة الأحمر القوي ، الكبح القوي وتقليل من اختلاف الفرامل
في درجة الحرارة العالية / منع لفقدان الفرامل عند عدة الفرملة في درجة الحرارة العالية (ممكن استخدام في درجة
الحرارة $800^{\circ}C$) ، تطبيق بأسلوب يسكوتشنج ، زيادة Initial Bite .



TAXI / ULTRA TAXI



منصات الفرامل السيارات الواردات (منصات الفرامل اليابانية) سيارة أجرة عامة

تأمين السلامة للعملاء !

لديك بالفعل " غني "

القيادة بالثقة !

يوجد سبب في الثقة .

يرجي تحقيق الأسئلة من خلال فريكسا .

تحسنت سيارات الأجرة فريكسا في الحياة المواد من 40% مقارنة مع المنتجات العامة باستخدام مواد من
سلسلة NAO ، وتقلل الألياف الفولاذية بسبب التلوث العجلة واستخدمت كبلر والتيتانيوم البوتاسيوم من الألياف
الأحدث . وتقلل التلوث العجلة بالغبار التي تولد عند الكبح المركبات فتكون أن تبقى العجلات بنظيفة دائما . وتقلل
التآكل من الدوار القرص .

الكبح الممتاز ، تعزيز الجياة ، انخفاض لتوليد الضوضاء ، تقليل الضرر من الدوار القرص ، المنتجات الصديقة
للبيئة ، تقليل الغبار من العجلة



LIGHT TRUCK



تم البطانة المتوسطة فوريكسا الكبح المستقر بظروف القيادة المتنوعة من الشاحنات المتوسطة المتغيرة وفقا لظروف الطريق وحجم الشحن، وقد تم تطوير للحفاظ على الأداء المستمر دائما في نطاق درجة الحرارة العالية التي تولد عند الكبح التكرار بمتكررة، لذلك هذا المنتج أولوية على أمانة للسائق.

الكبح الممتاز، تمديد الحياة، تقليل توليد الضوضاء، تقليل الضرر في الدوار القرص المنتج الصديقة للبيئة، تقليل الغبار في العجلة



HEAVY-DUTY VEHICLE



تتطلب التخصص في مجال الخدمات اللوجستية وخفض تكاليف الخدمات اللوجستية لقفزة إلى محور اللوجستية في شمال شرق آسيا. وقد تم تمديد العمر باستخدام المواد المتقدمة بشكل كبير. ويختار سائقون المحترفين في اللوجستية بطانة FX للسيارات التجارية الكبيرة التي صنعت شركة فوريكسا المتخصصة بمواد الاحتكاك. وخفض تكاليف الخدمات اللوجستية وكذلك ضمان لعودتهم الأمانة.



1. تطبيق فتحة مزدوجة - يمنع انخفاض القوة الكبح بتمسك الغبار في جانب القرص أو سطح الاحتكاك، وتقلل درجة الحرارة العالية بسبب الاحتكاك.

2. تطبيق شيم الطلاء المطاط المتقدم - يمنع انتقال الاهتزاز الناتجة عن الاحتكاك ودرجة الحرارة العالية إلى المسماك، ويحتفظ أداء الكبح الاستقرار وانخفاض الضوضاء / الاهتزاز.

3. تطبيق باللمس واللون الفضة الفاخرة (لون اللوحة العود) البيانات المقارنة بجودة المنتجات البوريميوم

الكبح

استقرار التأثير

مقاومة لفقدان الفرامل

الوقاية من الضجيج

منع الغبار

يشير على منتجات بعالية الأداء عندما تكون ارتفاع عدد كل بؤد من بؤود.

شركة A



In automobiles,
the ability to stop is much more important
than to accelerate.

While driving, we all wish to feel safe with the brake that reacts
and responds just as quickly as our body does.
Change to FRIXA today. The moment you step on it,
the FRIXA brake pad gives you comfort of stopping without any error.
The more powerful brake pads - FRIXA.



FRIXA BRAKE SYSTEM PRODUCT LIST

| | |
|---------------------------|--------|
| KOREAN VEHICLES | P 30 ~ |
| FOREIGN VEHICLES (PAD) | P 49 ~ |
| FOREIGN VEHICLES (LINING) | P 73 ~ |

FRIXA BRAKE SYSTEM KOREAN VEHICLES



| FRIXA CODE | S1 CODE | POSITION | MAKER | REPRESENTATIVE MODEL | INTERCHANGEABLE | PARTS NO. | SP NO. | HP NO. | FMSI NO. | VVA NO. | TRW | E-MARK (E90) | SET / CARTON |
|------------|---------|--------------------|-----------|----------------------|---|--|------------------|------------------|----------|---------|------------------|--------------|--------------|
| FLD01 | | REAR (SHOE ASS'Y) | CHEVROLET | TICO | TICO(91.-00.09) MATIZ(SPARK) (98.-09.08) | 53200-70800-000 53200-70810-000 53201-70B00-000 53201-70B10-000 96268686 | SA086 (SA050) | HS2001 HS2002 | | | GS8645 GS8646 | | 10 |
| FLD02 | | REAR (SHOE ASS'Y) | CHEVROLET | PRINCE | PRINCE(92.-97.) ROYAL PRINCE(-92.) BROUGHAM(93.-97.) | S4520001 S4520002 | SA010 | HS2006 | | | | | 8 |
| FLD03 | | REAR (SHOE ASS'Y) | CHEVROLET | LEMANS | LEMANS(86.-97.) ESPERO(OLD)(90.10-94.) | 90272780 | SA055- OLD | HS2004 | | | | | 10 |
| FLD04 | | REAR (SHOE ASS'Y) | CHEVROLET | ESPERO(NEW) | ESPERO(NEW)(94.-96.12) CIERO(94.-97.) NEXIA(95.-97.) LANOS(96.-03.) NUBIRA I/III(97.-03.) | 96226110 96241979 96241980 96300315 96300316 96430417 NP1441 NP1464 S4520003 S4520005 S4520006 | SA055- NEW | HS2005 | | | ○ | 10 | |
| FLD07 | | REAR (SHOE ASS'Y) | CHEVROLET | DAMAS | DAMAS, DAMAS II (92.-) LABO(92.-02.) | 53200-85800- 000 | SA059 | HS2003 | | | | | 10 |
| FLD08 | | REAR (SHOE ASS'Y) | CHEVROLET | LEGANZA | LEGANZA(97.04-02.04) NUBIRA DOHC(97.-99.) | 96245180 96253300 | SA102 | HS2007 | | | GS8748 | | 8 |
| FLD09 | | REAR (SHOE ASS'Y) | CHEVROLET | REZZO(TACOMA) | REZZO(TACOMA) (00.01-07.02) | 96349066 96394977 | SA103 | HS2008 | | | | | 8 |
| FLD10 | | REAR (SHOE ASS'Y) | CHEVROLET | KALOS(AVEO) | KALOS(AVEO) (02.05-05.08) MATIZ(SPARK) CREATIVE(09.09-11.02) SPARK(09.09-) GENTRA(05.09-10.05) | 93740251 93740252 93740255 S4520007 S4520008 | SA129 | HS2009 | | | | ○ | 10 |
| FLD11 | | REAR (SHOE ASS'Y) | CHEVROLET | MAGNUS(EVANDA) | MAGNUS(EVANDA) (99.12-02.02) | P96446745 | SA119 | | | | | | 10 |
| FLD11-1 | | PARKING BRAKE SHOE | CHEVROLET | LACETTI | LACETTI, MAGNUS(EVANDA) | | | | | | | | 10 |
| FLH01 | | REAR (SHOE ASS'Y) | HYUNDAI | AVANTE(ELANTRA) | AVANTE(ELANTRA) (95.03-00.04) AVANTE(ELANTRA) XD(00.03-04.04) NEW AVANTE(ELANTRA) XD(04.05-06.05) AVANTE(ELANTRA) 06MY(06.06-10.07) VERNA(ACCENT)(NEW) (02.08-05.07) ELANTRA(88.02-94.07) TIBURON(96.04-01.08) | 58305-17A00 58305-28A00 58305-28A70 58305-28E00 58305-29A00 58305-29A10 58305-2DA10 | SA062 | HS0002 HS0004 | | | ○ | 10 | |
| FLH012 | | REAR (SHOE ASS'Y) | HYUNDAI | EXCEL | EXCEL(85.02-94.07) SCOUPE(90.02-95.02) VERNA(ACCENT)(OLD) (99.06-02.07) ACCENT (LC) (00-02) | 58305-24000 58305-24020 58305-24A00 58305-24A20 58305-24A30 58305-25A00 | SA046 | HS0001 | | | | ○ | 10 |

| FRIXA CODE | S1 CODE | POSITION | MAKER | REPRESENTATIVE MODEL | INTERCHANGEABLE | PARTS NO. | SP NO. | HP NO. | FMSI NO. | VVA NO. | TRW | E-MARK (E90) | SET / CARTON |
|------------|---------|-------------------|---------|----------------------|---|--|--------------|------------------|----------|----------------------------|--------|--------------|--------------|
| FLH013 | | REAR (SHOE ASS'Y) | HYUNDAI | ACCENT | ACCENT(94.04-99.10) | 58305-22A00 58305-22A01 | SA047 | HS0003 | | | | ○ | 10 |
| FLH02 | | REAR (SHOE ASS'Y) | HYUNDAI | SONATA | SONATA I/II/ III(88.06-98.04) STELLAR(83.07-97.01) SANTAMO(96.01-02.12) CARSTA(99.05-03.03) | 58305-34A10 58305-33A00 | SA048 | HS0005 HS0006 | | | GS6152 | | 10 |
| FLH02F | | REAR (SHOE ASS'Y) | HYUNDAI | EF SONATA | EF SONATA(98.04-04.08) LAVITA(00.04-02.03) SANTAMO PLUS(96.01-02.12) OPTIMA(98.06-05.10) | 58305-38A00 58305-3CA00 | SA111 | HS0007 | | | | | 10 |
| FLH06 | | REAR (SHOE ASS'Y) | HYUNDAI | NEW GRACE(H100) | NEW GRACE(H100) (94.05-03.12) GALLOPER(99.01-02.01) MUSSO(02.03-08.08) ISTANA(95.-03.06) NEW KORANDO(96.07-05.12) REXTON(OLD/NEW) (01.-) KYRON(05.06-11.12) ACTYON(05.10-10.12) KORANDO FAMILY(88.10-95.10) | 48250-01000 58315-44020S | SA072- GR | HS0012 | | GS8155 GS6181 GS8564 | ○ | 8 | |
| FLH07 | | REAR (SHOE ASS'Y) | HYUNDAI | PORTER | PORTER(96.03-03.12) | 58305-4BA00 58315-44000S 58325-44000 | SA072- PO | HS0011 | | | | | 10 |
| FLH09 | | REAR (SHOE ASS'Y) | HYUNDAI | STAREX(H1) | STAREX(H1) (97.03-02.09) GALLOPER II(02.01-03.12) | 58305-4AA00 58305-M2A10 MB950065 SB000102 | SA099 | HS0009 | | | GS8696 | ○ | 8 |
| FLH10 | | REAR (SHOE ASS'Y) | HYUNDAI | ATOZ(SANTRO) | ATOZ(SANTRO) (97.09-02.12) VISTO(98.02-04.01) | 58305-02500 58305-02A00 58305-02A10 | SA096 | HS0008 | | | GS8659 | | 10 |
| FLH11 | | REAR (SHOE ASS'Y) | HYUNDAI | LIBERO | LIBERO(97.03-03.11) | 58305-47A00 | SA100 | HS0013 | | | | | 8 |
| FLH12 | | REAR (SHOE ASS'Y) | HYUNDAI | CLICK(GETZ) | CLICK(GETZ) (02.05-07.05) | 58305-1CA00 | SA132 | | | | GS8737 | ○ | 10 |
| FLH13 | | REAR (SHOE ASS'Y) | HYUNDAI | STAREX(H1) NEW | STAREX(NEW) (02.12-07.05) | 58305-4AA20 58305-4AA30 | SA130 | HS0010 | S1003 | | GS8774 | ○ | 6 |
| FLH14 | | REAR (SHOE ASS'Y) | HYUNDAI | PORTER III(Low DECK) | PORTER III(Low DECK) (04.01-) BONGO III(Low DECK) (04.01-) | 58305-4FA01 58350-4EA00 | SA135 | | | | GS8428 | | 8 |
| FLH16 | | REAR (SHOE ASS'Y) | HYUNDAI | PORTER(HIGH DECK) | | 58305-4BA20 | SA140 | | | | | | 8 |
| FLH17 | | REAR (SHOE ASS'Y) | HYUNDAI | GRAND STAREX(H1) | GRAND STAREX(H1) (07.05-) | 58305-4HA00 | SA141 | | | | | | 6 |
| FLK01 | | REAR (SHOE ASS'Y) | KIA | PRIDE | PRIDE/BETA(86.-99.) | KK150-26310 KK150-2638Z KK150-2638ZA | SA049 | HS1001 | | | GS8519 | ○ | 10 |
| FLK02 | | REAR (SHOE ASS'Y) | KIA | CONCORD | CONCORD(87.-96.01) CAPITAL(89.-96.01) | 0K917-2638Z | SA052 | | | | | | 10 |
| FLKT02 | | REAR (SHOE ASS'Y) | KIA | CONCORD for Taxi | CONCORD(87.-96.01), SEPIA, TOWNER, | 0K201-26-38Z 0K2N1-26-38Z 0K900-26-38Z AA100-26-310 | SA051 | | | | | | 8 |
| FLK03 | | REAR (SHOE ASS'Y) | KIA | SEPHIA | SEPHIA(NEW)/ II(97.03-00.06) SPECTRA(01.02-03.07) SHUMA(97.03-99.) | 0K23N-2638Z | SA053 | HS1006 | | | GS8692 | ○ | 10 |

FRIXA BRAKE SYSTEM KOREAN VEHICLES



| FRIXA CODE | S1 CODE | POSITION | MAKER | REPRESENTATIVE MODEL | INTERCHANGEABLE | PARTS NO. | SP NO. | HP NO. | FMSI NO. | WVA NO. | TRW | E-MARK (E90) | SET / CARTON | |
|------------|---------|-------------------|-------|---------------------------|---|--|--------------------------|--------|----------|--------------|--------|--------------|--------------|----|
| FLK04 | | REAR (SHOE ASS'Y) | KIA | CARENS(RONDO) | CREDOS I/II(95.03-00.07) CARENS(RONDO) I/ II(99.06-06.03) | OK2FA-2638Z OK9A0-2623Z OK9A6-2623Z | OK2N1-26-28Z | SA079 | HS1007 | | | | 10 | |
| FLK07 | | REAR (SHOE ASS'Y) | KIA | SPORTAGE | SPORTAGE(93.06-99.02) | OK011-2638Z OK0Y1-2638Z | | SA070 | HS1008 | | | | 8 | |
| FLK08 | | REAR (SHOE ASS'Y) | KIA | BESTA | BESTA(87.07-97.04) TOPIC(87-91.) BONGO(NEW)(94.-94.04) PORTER II(HIGH DECK) (04.01-) BONGO III(HIGH DECK) (04.01-) BONGO III VAN(12SEAT) (04.01-) BONGO III 1.4TON (04.01-) | OK70Y-2638Z OK710-2638Z K0BL12638Z | OK71E2638Z | SA044 | HS1011 | | GS8523 | ○ | 8 | |
| FLK082 | | REAR (SHOE ASS'Y) | KIA | WIDE BONGO | WIDE BONGO(94.01-97.06) FRONTIER1.3TON(NEW) (01.-03.12) FRONTIER1.4TON(NEW) (01.-03.12) | OK71F-3328Z OK756-2638Z OK756-2638ZA 44060-HC625 S02A26310A S02A49380 S08526310 S08526330 S08549380 S0YA2638Z | | SA045 | HS1010 | | GS8428 | | 8 | |
| FLK10 | | REAR (SHOE ASS'Y) | KIA | PREGIO | PREGIO(95.10-98.05) | OK72A-2638Z | | SA044 | HS1011 | | | ○ | 8 | |
| FLK10N | | REAR (SHOE ASS'Y) | KIA | PREGIO GRAND | NEW PREGIO(98.06-03.02) BONGO III VAN(15SEAT) (04.01-) | OK79A-2638Z | | SA127 | HS1013 | | | ○ | 6 | |
| FLK13 | | REAR (SHOE ASS'Y) | KIA | CARNIVAL(SEDONA) | CARNIVAL(SEDONA) (98.01-99.01) TRAJET XG(99.12-01.08) | OK552-2638Z K0BJ1-2638Z | | SA112 | HS1012 | S714-1485ATT | | GS8643 | 8 | |
| FLK13N | | REAR (SHOE ASS'Y) | KIA | CARNIVAL(SEDONA) (NEW) | CARNIVAL(SEDONA) II(99.01-03.12) TRAJET XG(01.09-03.12) | OK56A-2638Z OK56A-2638ZA OK58A-2638Z 58305-3AA00 | 5830526A10 5830526A00 | SA020 | HS1014 | | | GS8441 | 6 | |
| FLK14 | | REAR (SHOE ASS'Y) | KIA | CERES | CERES(83.-94.) BONGO(OLD)(-94.) | 01823-2638Z 01823-26310B | | SA015 | | | | GS8120 | 8 | |
| FLK14N | | REAR (SHOE ASS'Y) | KIA | CERES(NEW) | CERES(NEW)(94.-96.) | OK68A-3328Z | | SA019 | | | | | 8 | |
| FLK15 | | REAR (SHOE ASS'Y) | KIA | RIO | RIO(99.11-02.05) | OK30A-2628Z | | SA137 | HS1002 | | | | 10 | |
| FLK15N | | REAR (SHOE ASS'Y) | KIA | RIO SF | RIO SF(02.06-05.04) | OK30B-2628Z 58315-FDA00 58315-FDA01 | | SA134 | HS1003 | | | | 10 | |
| FLK16 | | REAR (SHOE ASS'Y) | KIA | ROCSTA R2 | ROCSTA R2(92.-97.) SPORTAGE GRAND(00.-02.) RETONA(00.-02.) | OK045-2638Z AA301-26310 | | SA018 | | | | GS8682 | 8 | |
| FLK17 | | REAR (SHOE ASS'Y) | KIA | FRONTIER1.3 | FRONTIER1.3TON(OLD) (99.06-01.) FRONTIER1.4TON(OLD) (99.06-01.) | K611-2638Z | | | | | | | 8 | |
| FLK18 | | REAR (SHOE ASS'Y) | KIA | PRIDE(NEW) | PRIDE 05MY(NEW RIO) (05.08-11.10) VERNA(ACCENT) 05MY(05.08-10.12) | 58305-1GA00 | | SA153 | | S910-1616 | | GS8766 | ○ | 10 |
| FLK19 | | REAR (SHOE ASS'Y) | KIA | MORNING(PICANTO) | MORNING(PICANTO) (04.01-) | 58350-07A00 | | SA154 | | | | GS8754 | ○ | 10 |

| FRIXA CODE | S1 CODE | POSITION | MAKER | REPRESENTATIVE MODEL | INTERCHANGEABLE | PARTS NO. | SP NO. | HP NO. | FMSI NO. | WVA NO. | TRW | E-MARK (E90) | SET / CARTON | |
|---------------|---------|-------------------|--------------------|----------------------|---|---|---|--------|----------|------------------------|-------------------------|--------------------|--------------|----|
| FLK20 | | REAR (SHOE ASS'Y) | KIA | FORTE | FORTE(08.08-) | 58350-1MA00 | | SA155 | | | | | 10 | |
| FLK21 | | REAR (SHOE ASS'Y) | KIA | SOUL | SOUL | 58350-2KA00 | | | | | | | 10 | |
| FLK22 | | REAR (SHOE ASS'Y) | KIA | PICANTO 11MY R | PICANTO 11MY (11.02-) | 58350-1YA00 | | SA156 | | | | | 10 | |
| FLK23 (FLE18) | | REAR (SHOE ASS'Y) | KIA | ALL NEW PRIDE | ALL NEW PRIDE | 58305-3XA00 58305 B4A70 58305 1CA10 | | SA133 | | | | GS8785 | 10 | |
| FLS01 | | REAR (SHOE ASS'Y) | RENAULT SAMSUNG | SM-3 | SM-3(02.-) | 48430-31010K0 | | SA131 | | | | | 10 | |
| FPD01 | | FRONT (PAD) | CHEVROLET | TICO | TICO(91.-00.09) | 4BP3659-08264 52210-70B00-000 55200-61880 55201-78810-000 55201-78820-000 55210-50E20 55200-50850 | | SP1050 | HP2001 | | 23061 | GDB3108 | 16 | |
| FPD02 | | FRONT (PAD) | CHEVROLET | LEMANS | LEMANS(86.-97.) ROYALE PRINCE(-92.) BROUGHAM(93.-95.) | 96101972S | | SP1055 | HP2003 | D378-7267 | 20939 21057 | GDB199 GDB7519 | ○ | 20 |
| FPD03 | | FRONT (PAD) | CHEVROLET | ESPERO1.5 | ESPERO1.5 (90.10-96.12) CIELO(94.-97.) NEXIA(95.-97.) | 96133555S | | SP1055 | HP2003 | D378-7267 | 20939 21057 | GDB199 GDB7519 | | 20 |
| FPD05 | | FRONT (PAD) | CHEVROLET | ESPERO2.0 | ESPERO2.0(TEVESE) PRINCE(TEVESE) | 11046952012 11046152 S4512001 S4512002 | | SP1078 | HP2004 | D796-7666 | 21190 21201 | GDB951 | | 8 |
| FPD06 | | FRONT (PAD) | CHEVROLET | NEW PRINCE | NEW PRINCE(92.-97.) LANOS DOHC(96.-03.) BROUGHAM(NEW) (95.-97.) NUBIRA ESPERO CIELO | 96281937 S4510001 S4510005 S4510009 S4510011 S4510014 S4511001 S4511004 S4511006 | | SP1077 | HP2005 | | | GDB3265 | 16 | |
| FPD07 | | FRONT (PAD) | CHEVROLET | DAMAS | DAMAS(92.-03.08) DAMAS II(03.09-) LABO(92.-02.) | 45022-SA 0999HE 45022-SA0N50 45022-SA0N51 55104- 80600000 55104- 80800000 55104- 80810000 55200-56850 55200-56851 55200-60B50 55200-70820 55200-70860 45022- SA0670 | 55200-70861 55200-70862 55210-56A50 55210-70820 55210-78460 91144333 | SP1059 | HP2013 | D177-7104 7104-D281 | 20731 | GDB254 GDB1038 | 16 | |
| FPD08 | | FRONT (PAD) | CHEVROLET | LEGANZA | LEGANZA(97.12-02.04) NUBIRA DOHC(97.-99.) NUBIRA II(99.-03.) | S4510009N 96245178 96253367 96253382 96253383 | | SP1102 | HP2006 | D797-7668 | 23234 23235 23236 | GDB3216 | ○ | 16 |
| FPD08R | | REAR (PAD) | CHEVROLET | LEGANZA R | LEGANZA(97.-03.) NUBIRA(97.-03.) | 96245179 96253368 96391892 AW346513 S4521001 S5421002 S4521006 | | SP1114 | HP2007 | D724-7591 D724-7669 | 23237 | GDB3172 GDB7527 | ○ | 12 |

FRIXA BRAKE SYSTEM KOREAN VEHICLES



| FRIXA CODE | S1 CODE | POSITION | MAKER | REPRESENTATIVE MODEL | INTERCHANGEABLE | PARTS NO. | SP NO. | HP NO. | FMSI NO. | WVA NO. | TRW | E-MARK (E90) | SET / CARTON | |
|------------|---------|-------------|-----------|-----------------------------|--|---|--|----------|----------|-------------------------|-------------------------|---|--------------|----|
| FPD09 | S1D09 | FRONT (PAD) | CHEVROLET | MATIZ(SPARK) | LANOS SOHC(96.-03.) MATIZ(SPARK) I/II/ III(98.-09.08) | 96281945 96288629 96316582 96446176 S4510004 S4510017 | 96273708 | SP1086 | HP2002 | 8433-D1321 | 23241 | GDB3195 | ○ | 20 |
| FPD10 | S1D10 | FRONT (PAD) | CHEVROLET | MAGNUS(EVANDA) | MAGNUS(EVANDA) (99.12-02.02) MAGNUS(EVANDA) L6 2.0(02.03-06.01) REZZO(TACOMA) (00.01-07.02) | 96349059 96349060 96446742 96446744 96446762 96495164 96495227 96496765 | | SP1103 | HP2008 | | 24062 24063 24064 | GDB3345 | | 16 |
| FPD10R | | REAR (PAD) | CHEVROLET | MAGNUS(EVANDA) R | MAGNUS(EVANDA) (99.12-06.01) TOSCA(EPICA) (06.02-10.12) EPICA(11.03-) | 55500-86200 96475028 96496766 96496763 | | SP1252 | HP2009 | D1030-7935 | 23994 | GDB3346 | | 16 |
| FPD12 | S1D12 | FRONT (PAD) | CHEVROLET | LACETTI(OPTRA) | LACETTI(OPTRA) (02.11-) GENTRA X(14") (07.10-10.05) | 96405129 96405130 96449288 96534655 55200-8520 | | SP1159 | HP2012 | D902-7779 D1035-7779 | 23234 23235 23236 | GDB3171 | ○ | 16 |
| FPD12NR | | REAR (PAD) | CHEVROLET | LACETTI(OPTRA) 06MY R | LACETTI(OPTRA) 06MY(06.05-10.11) | 55500-85210 96800089 | | SP1257 | | D1315-7939 | | | ○ | 16 |
| FPD12R | S1D12R | REAR (PAD) | CHEVROLET | LACETTI(OPTRA) R | LACETTI(OPTRA) (02.11-06.04) | 55500-85200 96405131 | | SP1160 | HP1024 | D1036-7939 | 24071 | GDB3348 | ○ | 16 |
| FPD13 | | FRONT (PAD) | CHEVROLET | KALOS(AVEO) | KALOS(AVEO) (02.05-05.08) GENTRA(05.09-10.05) GENTRA X(13") (07.10-10.05) NUBIRA SOCH(97.02-02.10) | 94566892 96534653 | | SP1158 | HP2011 | D1269-8385 | 23974 | GDB3330 | ○ | 16 |
| FPD(T)14 | S1D14 | FRONT (PAD) | CHEVROLET | TOSCA(EPICA) | TOSCA(EPICA) (06.02-10.12) MAGNUS(EVANDA) L6 2.5(02.12-06.01) EPICA(11.03-) | 96475026 96475027 96952179 | | SP1193 | | D1031-7936 | | | | 10 |
| FPD15 | S1D15 | FRONT (PAD) | CHEVROLET | ARCADIA | ARCADIA(94.02-99.) | 45022-S10A00 45022-S10A02 45022-S10G00 45022-S10G01 45022-S10G02 45022-S30A00 45022-S30A02 45022-S30A50 45022- SA1AE20 45022-SL0600 45022-SL0G00 45022-SL0G01 45022-SL0G02 45022-SLRG01 | 45022-SLRG02 45022-SM5A00 45022-SN7G50 45022-SPOE00 45022-SS0G00 45022-SS0G01 45022-SS0G02 | SP1076-F | HP2010 | D503-7382 | 21651 21652 21653 | GDB8995 GDB1062 GDB3177 GDB3188 GDB3196 | | 10 |
| FPD16 | S1D16 | FRONT (PAD) | CHEVROLET | WINSTORM(CAPTIVA) | WINSTORM(CAPTIVA) (06.06-10.12) CAPTIVA(11.03-) | 20789468 96626069 D966226070 | 22850989 4808861 4810774 95459512 96626070 | SP1204 | | 8381-D1264 | 24510 24511 24512 | GDB1715 | | 10 |
| FPD16R | S1D16R | REAR (PAD) | CHEVROLET | WINSTORM (CAPTIVA) R | WINSTORM(CAPTIVA) (06.06-10.12) CAPTIVA(11.03-) | 19149904 96626075 96626076 D966226076 | 22850988 1605123 4819239 95459513 | SP1205 | | D1275-8391 | 24498 24499 24500 | GDB1716 | | 16 |
| FPD17 | S1D17 | FRONT (PAD) | CHEVROLET | LACETTI PREMIERE (CRUZE) | LACETTI PREMIERE GASOLINE(08.12-) CRUZE(11.03-) AVEO 15"(11.03-) | 13301207 13301208 13356286 | 13374966 13412272 542120 95516191 13412807 | SP1362 | | D1522-8730 | 25076 25077 25078 | | ○ | 10 |

| FRIXA CODE | S1 CODE | POSITION | MAKER | REPRESENTATIVE MODEL | INTERCHANGEABLE | PARTS NO. | SP NO. | HP NO. | FMSI NO. | WVA NO. | TRW | E-MARK (E90) | 16SET / CARTON | |
|------------|---------|-------------|-----------|---------------------------|--|---|--|--------|----------|--|-------------------------|--|----------------|----|
| FPD17R | S1D17R | REAR (PAD) | CHEVROLET | LACETTI PREMIERE(CRUZE) R | LACETTI PREMIERE(CRUZE) (08.12-) ORLANDO(11.03-) TRAX(13.02-) CRUZE(11.03-) | 13300867 13300868 | | SP1363 | | D1468-8668 | 25096 | GDB1844 | ○ | 12 |
| FPD18 | S1D18 | FRONT (PAD) | CHEVROLET | SPARK | SPARK(11.03-) MATIZ(SPARK) CREATIVE(09.09-11.02) | P94564512 | | SP1392 | | D1590-8801 | 25268 25269 25270 | | ○ | 10 |
| FPD19 | S1D19 | FRONT (PAD) | CHEVROLET | ALPHEON | ALPHEON(10.09-) MALIBU(11.10-) | 13237753 | | SP1402 | | D1421-8536 | 24415 24416 24417 | | | 8 |
| FPD19R | S1D19R | REAR (PAD) | CHEVROLET | ALPHEON R | ALPHEON(10.09-) MALIBU(11.10-) | 13237768 | | SP2135 | | D1430-8547 | 24421 24422 | | | 8 |
| FPD20 | S1D20 | FRONT (PAD) | CHEVROLET | ORLANDO | ORLANDO(11.02-) LACETTI PREMIERE DISEL(08.12-) TRAX(13.02-) | 13301234 13412809 13412810 | 22279077 | SP1480 | | D1467-8667 | 25079 25080 25081 | | ○ | 10 |
| FPD21 | S1D21 | FRONT (PAD) | CHEVROLET | AVEO 14MY | | 95025848 95231011 95231012 | | SP1481 | | D1702-8926 | | | ○ | 10 |
| FPD22 | S1D22 | FRONT (PAD) | CHEVROLET | THE NEXT SPARK 14" | | 42349237 | | SP1836 | | | | | | 10 |
| FPD23 | S1D23 | FRONT (PAD) | CHEVROLET | THE NEXT SPARK 15" | | 42349238 | | SP1837 | | D1864-9093 | | | | 10 |
| FPD24 | S1D24 | FRONT (PAD) | CHEVROLET | ALL NEW MALIBU | | 23326280 | | SP1981 | | D1913-9144 | | | | 10 |
| FPD24R | S1D24R | REAR (PAD) | CHEVROLET | ALL NEW MALIBU | | 13595651 | | SP1929 | | | | | | 12 |
| FPH01 | S1H01 | FRONT (PAD) | HYUNDAI | AVANTE(ELANTRA) | AVANTE(ELANTRA) (95.03-00.04) ELANTRA(88.02-94.07) EXCEL(85.02-94.07) ACCENT(94.04-99.10) STELLAR(83.07-97.01) SCOUPE(90.02-95.05) CLICK(GETZ) (02.05-07.05) VERNA(ACCENT) (99.06-05.07) | 58101-1CA00 58101-1CA10 58101-22A00 58101-22A10 58101-23A00 58101-24A00 58101-24A00 58101-24B00 58101-24C00 58101-25A00 58101-25A10 | 58101-28A10 58101-32300 58101-32310 58101-32A00 58101-32B00 58115-24150 | SP1047 | HP0004 | D404-7293 D440-7293 D497-7376 | 21012 21773 21774 | GDB3331 GDB373 GDB893 | ○ | 20 |
| FPH01R | S1H01R | REAR (PAD) | HYUNDAI | AVANTE(ELANTRA) R | ELANTRA(88.02-94.07) TIBURON.TURBULENCE (96.04-01.08) TUSCANI(COUPE)2.0/2.7 (01.09-08.07) AVANTE(ELANTRA)95. 03-00.04) AVANTE(ELANTRA) XD 1.5(00.03-04.04) NEW AVANTE(ELANTRA) XD 1.6(03.05-06.09) CERATO(FORTE)(03.10- 05.02) | 44060-08E91 44060-61E90 44060-61E94 44060-65E90 44060-86E90 44060-90E90 44060-D3591 | 58302-28A00 58302-28A01 58302-29A00 58302-29A10 58302-2DA00 58302-2DA10 58302-2FA00 58302-2FA10 DD06061E25 44060D1E91 44060D3591 | SP1062 | HP0021 | D323-7146, D323-7263 D429-7146, D464-7344 | 21553 21554 21555 | GDB1010 GDB1450 GDB3170 GDB3368 | ○ | 16 |

FRIXA BRAKE SYSTEM KOREAN VEHICLES



| FRIXA CODE | S1 CODE | POSITION | MAKER | REPRESENTATIVE MODEL | INTERCHANGEABLE | PARTS NO. | SP NO. | HP NO. | FMSI NO. | VVA NO. | TRW | E-MARK (E90) | SET / CARTON |
|------------|---------|-------------|---------|---------------------------|--|--|----------|--------|--|-------------------------|---|--------------|--------------|
| FPH02 | S1H02 | FRONT (PAD) | HYUNDAI | SONATA | SONATA(88.06-93.04) SONATA II(93.05-96.02) MARCIA(95.03-97.10) ELANTRA1.6/1.8 (88.02-94.07) AVANTE(ELANTRA) TOURING(95.03-00.04) TIBURON,TURBULENCE (96.04-01.08) | 58101-28A00 58101-28A20 58101-29A00 58101-29A10 58101-29A20 58101-29A30 58101-29A40 58101-29A80 58101-29B10 | SP1048 | HP0003 | D449-7329, D462-7342 D469-7349, D485-7342 D700-7329, D747-7329 D887-7765 | 21725 21726 21727 | GDB3101 GDB3169 GDB3211 GDB3256 GDB3283 GDB3365 GDB7521 GDB895 | | 16 |
| FPH02F | S1H02F | FRONT (PAD) | HYUNDAI | EF SONATA | EF SONATA(98.04-00.12) NEW EF SONATA(01.01-03.08) OPTIMA1.8/2.0(98.06-02.08) GRANDEUR(AZERA) XG 2.0(98.09-05.11) NEW AVANTE(ELANTRA) XD 2.0(04.04-06.05) LAVITA(00.04-02.03) | 58101-17A00 58101-29A70 58101-29A90 58101-2DA20 58101-34A10 | SP1111 | HP0007 | D449-7329, D462-7342 D469-7349, D485-7342 D700-7329, D747-7329 D887-7765 | 21725 21726 21727 | GDB3101 GDB3169 GDB3211 GDB3256 GDB3283 GDB3365 GDB7521 GDB895 | | 16 |
| FPH02NF | S1H02NF | FRONT (PAD) | HYUNDAI | NF SONATA | NF SONATA 2.0 (04.09-07.09) NF TRANSFORM 2.0 (07.10-) NEW EF SONATA (03.09-04.08) OPTIMA REGAL (02.09-05.10) LOTZE 1.8/2.0 (05.11-07.11) LOTZE INNOVATION 1.8/2.0 (07.12-10.04) TUSCANI(COUCPE) 2.0(01.09-08.07) SOUL(08.09-13.09) | 58101-1FA00 58101-1FE00 58101-2CA10 58101-2CA11 58101-2CA20 58101-2EA01 58101-2EA10 58101-2EA11 58101-2EA20 58101 3KA00 | SP1155 | HP0009 | 8306-D1125 D924-7825 D924-7990 D924-8232 | 23891 23892 23893 | GDB3352 GDB3386 GDB3409 | | 10 |
| FPH02NR | S1H02NR | REAR (PAD) | HYUNDAI | SONATA R | SONATA II/ III(93.06-98.03) MARCIA(95.03-98.05) | 43022-SD4000 43022-SD4010 43022-SD4020 43022-SG9000 58215-341S0 58302-34A00 GBP90300 GBP90304 | SP1074 | HP0005 | D342-7236 D1262-7236 | 20029 20078 20079 | GDB994 | | 16 |
| FPH02S | | FRONT (PAD) | HYUNDAI | SONATA III | SONATA III, return spring type(93.03-98.03) MARCIA(97.10-98.05) | 58101-34A21 58101-29A50 58101-34A20 | SP1048 | HP0006 | D449-7329, D462-7342 D469-7349, D485-7342 D700-7329, D747-7329 D887-7765 | 21725 21726 21727 | GDB3101 GDB3169 GDB3211 GDB3256 GDB3283 GDB3365 GDB7521 GDB895 | | 16 |
| FPH04 | | FRONT (PAD) | HYUNDAI | NEW GRANDEUR (AZERA)2.0 | NEW GRANDEUR(AZE RA)2.0/2.5(95.04-98.02) CARSTA(99.05-03.03) SANTAMO(96.01-02.12) | 58101-M2A00 58101-M2A01 58115-370A0 58115-370A1 MZ690331 | SP1054-F | HP0010 | | | | | 16 |
| FPH04R | | REAR (PAD) | HYUNDAI | NEW GRANDEUR (AZERA)2.0 R | NEW GRANDEUR(AZE RA)2.0/2.5(95.04-98.02) NEW GRANDEUR (AZERA)2.5(95.04-98.01) CARSTA(99.05-03.03) SANTAMO(96.01-02.12) | 58302-M2A00 58302-M2A01 58302-M2A10 | SP1054-R | HP0011 | | 23608 23609 23610 | | | 16 |
| FPH05 | | FRONT (PAD) | HYUNDAI | NEW GRANDEUR (AZERA)3.0 | NEW GRANDEUR(AZE RA)3.0/3.5(95.04-98.09) DYNASTY(99.10-05.08) | 58101-37A10 58101-37A30 58115-375A0 | SP1081 | HP0012 | | | | | 12 |

| FRIXA CODE | S1 CODE | POSITION | MAKER | REPRESENTATIVE MODEL | INTERCHANGEABLE | PARTS NO. | SP NO. | HP NO. | FMSI NO. | VVA NO. | TRW | E-MARK (E90) | SET / CARTON |
|------------|---------|-------------|---------|----------------------|---|---|--------|--------|-------------------------------------|----------------------------------|---|--------------|--------------|
| FPH05R | | REAR (PAD) | HYUNDAI | NEW GRANDEUR3.0 R | NEW GRANDEUR (AZERA)2.5 (98.01-98.09) NEW GRANDEUR(AZE RA)3.0/3.5(95.04-98.09) DYNASTY(99.10-05.08) EQUUS(CONTINENTAL) 3.0/3.5(15"), 4.5(OLD) (99.04-08.12) | 58215-375A0 58302-3BA00 58201 37A10 58302 3BA10 | SP1082 | HP0013 | | | | | 16 |
| FPH06 | | FRONT (PAD) | HYUNDAI | PORTER | NEW GRACE(H100) (94.05-03.12) PORTER(NEW) (96.03-03.12) | 58101-43A00 58101-44A00 58101-44A10 58101-4BA00 58101-4BA10 58115-44020S | SP1072 | HP0019 | D1137-8247 | 23081 23082 23083 | GDB3089 | ○ | 10 |
| FPH07 | | FRONT (PAD) | HYUNDAI | GALLOPER | GALLOPER,GALLOPER INNOVATION (91.09-03.12) | S8000027 S800010 S8000100 S2000100 58101-M1A00 | SP1053 | HP0017 | | 23518 23519 23520 | | | 16 |
| FPH08 | | FRONT (PAD) | HYUNDAI | MIGHTY | MIGHTY2.5TON(-04.09) MIGHTY3.5TON(-04.09) COUNTY(98.06-06.04) | 58101-45A00 58101-5HA00 58101-5HA30 58140-45020 | SP1080 | HP0028 | D716-8941 | | | | 10 |
| FPH09 | S1H09 | FRONT (PAD) | HYUNDAI | STAREX(H1) | STAREX(H1) (97.03-02.09) LIBERO(97.03-03.11) | 58101-4AA00 58101-4AA10 58101-4AA11 58101-4AA30 58101-4AA31 58101-4AA32 58101-4AA60 58101-4AA61 58101-4AA80 | SP1099 | HP0018 | | 23536 23537 23538 | GDB3201 | ○ | 10 |
| FPH09N | S1H09N | FRONT (PAD) | HYUNDAI | STAREX(H1)(NEW) | STAREX(H1)(NEW) (02.10-07.05) LIBERO(03.12-07.12) | 58101-2AA26 58101-39A40 58101-47A00 58101-4AA20 58101-4AA26 58101-4AA90 | SP1157 | HP0024 | D903-7781, D955-7854 | 23569 23670 23571 | GDB3244 GDB3257 GDB3297 GDB3343 GDB3412 | | 12 |
| FPH09R | S1H09R | REAR (PAD) | HYUNDAI | STAREX(H1) R | STAREX(H1)(NEW) (04.01-07.04) NEW SANTAFE(06MY) (05.11-09.10) | 58302-2BA00 58302-2BA20 58302-2BA40 58302-4AA00 | SP1178 | | D1297-8414 | 24464 24488 24489 24490 | | ○ | 16 |
| FPH10 | | FRONT (PAD) | HYUNDAI | ATOZ(SANTRO) | ATOZ(SANTRO) (97.09-00.11) VISTO(98.02-00.11) | 58101-02A00 58115-020S0 | SP1096 | HP0001 | D1148-8225 D1148-8258 | 23238 23239 23240 | GDB3165 | ○ | 20 |
| FPH10N | | FRONT (PAD) | HYUNDAI | ATOZ(SANTRO)(NEW) | ATOZ(SANTRO)(NEW) (00.12-02.12) VISTO(NEW) (00.12-04.01) | 58101-02A10 58101-02A20 58101-05A10 58101-05A30 | SP1149 | HP0002 | D1142-8253 | 24277 24397 24398 | GDB3377 | ○ | 20 |
| FPH11 | S1H11 | FRONT (PAD) | HYUNDAI | SANTAFE | SANTAFE 2WD(00.02-05.11) TRAJET XG(15")99.09-07.05) EQUUS(CONTINENTAL) 3.0/3.5(15")99.04-02.05) | 58101-26A00 58101-26A10 58101-26A20 58101-26A30 58101-39A20 58101-3AA10 58101-3AA20 58101-3AA30 | SP1115 | HP0014 | D864-7792 D903-7781 D955-7854 | 23569 23670 23571 | GDB3244 GDB3257 GDB3297 GDB3343 GDB3412 | ○ | 12 |
| FPH11N | S1H11N | FRONT (PAD) | HYUNDAI | SANTAFE 4WD | SANTAFE 4WD(00.02-05.11) NEW GRANDEUR(AZERA) XG3.0(12")02.07-05.05) | 0K52Y-3323Z | SP1190 | | D864-7739 | | | | 12 |
| FPH12 | | FRONT (PAD) | HYUNDAI | TERRACAN | TERRACAN(01.01-04.07) | 58101-H1A00 58101-H1A10 | SP1097 | HP0022 | | 24059 24060 24061 | GDB3299 | | 12 |

FRIXA BRAKE SYSTEM KOREAN VEHICLES



| FRIXA CODE | S1 CODE | POSITION | MAKER | REPRESENTATIVE MODEL | INTERCHANGEABLE | PARTS NO. | SP NO. | HP NO. | FMSI NO. | VVA NO. | TRW | E-MARK (E90) | SET / CARTON | |
|------------|---------|-------------|---------|------------------------------|---|--|--------|--------|--|-------------------------|-------------------------------|--------------|--------------|----|
| FPH12R | | REAR (PAD) | HYUNDAI | TERRACAN R | TERRACAN(01.01-04.07) NEW TERRACAN(04.08-06.10) | 58302-H1A00 58302-H1A10 | SP1098 | HP0023 | | 23813 24201 24202 | GDB3296 | | 16 | |
| FPH14 | S1H14 | FRONT (PAD) | HYUNDAI | TUCSON | TUCSON(04.03-09.07) NEW SPORTAGE(04.08-10.02) | 58101-1FA50 58101-1FE01 58101-2EA21 | SP1155 | | 8306-D1125 D924-7825 D924-7990 D924-8232 | 23891 23892 23893 | GDB3352 GDB3386 GDB3409 | ○ | 10 | |
| FPH15 | S1H15 | FRONT (PAD) | HYUNDAI | PORTER II | PORTER II(04.11-) | 58101-4FA00 | SP1174 | HP0029 | | | | | 10 | |
| FPH16 | S1H16 | FRONT (PAD) | HYUNDAI | EQUUS (CONTINENTAL) (NEW)4.5 | EQUUS(CONTINENTAL)3.0/3.5/4.5(17") (04.06-09.02) EQUUS(CONTINENTAL)09MY(09.03-11.09) | 58101-3BA20 58101-3MA11 | SP1206 | | | | | | 10 | |
| FPH17 | S1H17 | FRONT (PAD) | HYUNDAI | NF SONATA 16" | NF SONATA 2.4 (04.09-07.09) NF TRANSFORM 2.4 (07.10-) LOTZE 2.4 (05.11-07.11) LOTZE INNOVATION 2.4 (07.12-10.04) OPIRUS(AMANTI)(NEW) (06.06-12.02) GRANDEUR(AZERA) TG(05.06-10.12) THE LUXURY GRANDEUR(09.12-) | 58101-3KA20 58101-3KA30 58101-3KA31 58101-3LA10 58101-3LA11 58101-3LA20 | SP1182 | HP0031 | D1125-8233 | 23891 23892 23893 | GDB3352 GDB3386 GDB3409 | ○ | 10 | |
| FPH17R | S1H17R | REAR (PAD) | HYUNDAI | NF TRANSFORM R | NF TRANSFORM (07.12-) OPIRUS(AMANTI)(NEW) (06.06-12.02) SOUL(08.09-13.09) LOTZE INNOVATION(16") (05.11-10.04) KORANDO C(11.01-) THE LUXURY GRANDEUR(AZERA) (09.12-) YF SONATA(HYBRID) (11.03-) K5(NEW OPTIMA)15"(10.05-) | 58302-2EA31 58302-2KA00 58302-2KA10 58302-2TA60 58302-3FA01 58302-3KA31 58302-3KA52 58302-3KA62 | SP1239 | | D1313-8428 D1445-8428 D1446-8428 D1544-8428 | 24934 24935 24936 | | ○ | 16 | |
| FPH19 | S1H19 | FRONT (PAD) | HYUNDAI | VERACRUZ | VERACRUZ(06.05-) | 58101-3JA00 58101-3JA01 58101-3JA50 | SP1203 | | | D1301-8417 | | | 10 | |
| FPH19R | S1H19R | REAR (PAD) | HYUNDAI | VERACRUZ R | VERACRUZ(06.05-) GRAND STREX(07.05-) GRAND CARNIVAL(SEDONA) (05.07-) | 58302-3JA00 58302-3JA50 58302-4DA00 58302-4DE00 58302-4HA00 58302-4HA50 | SP1192 | | | D1302-8418 | 24599 24600 24686 | GDB3449 | ○ | 16 |
| FPH20 | S1H20 | FRONT (PAD) | HYUNDAI | I-30 | I-30(07.06-) ALL NEW SOUL(13.10-) FORTE(08.08-) CEE-D 07" | 58101-1MA00 58101-1MA01 58101-1XA00 58101-2LA00 58101-1HA10 | SP1240 | | | 23966 23987 23988 | GDB3342 GDB3450 | ○ | 10 | |
| FPH21 | S1H21 | FRONT (PAD) | HYUNDAI | AVANTE(ELANTRA) 06MY | AVANTE(ELANTRA) 06MY(06.06-10.07) | 58101-2HA10 | SP1202 | | 8306-D1125 D924-7825 D924-7990 D924-8232 D924-8386 | 23891 23892 23893 | GDB3352 GDB3386 GDB3409 | ○ | 10 | |
| FPH22 | | FRONT (PAD) | HYUNDAI | MIGHTY 06MY | MIGHTY 06MY(06.04-) COUNTY 06MY(06.04-) | 58160-5K300 | SP1207 | | | D1062-7968 | GDB1695 GDB5050 | | 6 | |
| FPH23 | S1H23 | FRONT (PAD) | HYUNDAI | GENESIS | GENESIS(08.01-12.11) | 58101-3MA00 | SP1246 | | | D1384-8400 | | | 10 | |

| FRIXA CODE | S1 CODE | POSITION | MAKER | REPRESENTATIVE MODEL | INTERCHANGEABLE | PARTS NO. | SP NO. | HP NO. | FMSI NO. | VVA NO. | TRW | E-MARK (E90) | SET / CARTON |
|-----------------|-----------------|-------------|---------|----------------------|--|--|--------|--------|--------------------------|--------------------------|-------------------------|--------------|--------------|
| FPH23R (FPK26R) | S1H23R (S1K26R) | REAR (PAD) | KIA | GENESIS R | MOHAVE(BOREGO) (08.01-) GENESIS, 13MY(08.01-) CHAIRMAN W(08.04-) GENESIS COUPE17"(08.10-) MAXCRUZ (13.03-) EQUUS(CONTINENTAL) 09MY, 4.5(NEW)(09.01-) SORENTO R(09.04-) NEW SANTAFE 09MY, 12MY(09.11-) K9 5.0 | 58302-2JA00 58302-2PA00 58302-2PA70 58302-2WA00 58302-2MA00 58302-3MA00 58302-3MA01 48450-140A0 | SP1247 | | | D1387-8496 | 25153 25154 25155 | ○ | 16 |
| FPH24 | S1H24 | FRONT (PAD) | HYUNDAI | GENESIS COUPE 3.8 | COUPE 3.8 18"19"(BREMBO TYPE) (08.10-) | 58101-2MA10 | SP2119 | | | D1001-7942 | 23092 23325 | | 8 |
| FPH24R | S1H24R | REAR (PAD) | HYUNDAI | GENESIS COUPE 3.8 R | COUPE 3.8 18"19"(BREMBO TYPE) (08.10-) | 58302-2MA10 | SP1494 | | | D960-7858 D960-7954 | 23142 | | 8 |
| FPH25 (FPH33) | S1H25 (S1H33) | FRONT (PAD) | HYUNDAI | YF SONATA | YF SONATA 2.0(09.09-) LF SONATA 15"(14.03-) SPORTAGE R 2WD(10.03-11.01) TUCSON IX 2WD(09.08-11.12) | 58101-2SA00 58101-2SA30 58101-3SA20 58101-3SA21 58101-3SA25 58101-3SA26 | SP1374 | | | D1447-8615 | 25187 25188 25189 | ○ | 10 |
| FPH25R | S1H25R | REAR (PAD) | HYUNDAI | YF SONATA R | YF SONATA(09.09-) LF SONATA(14.03-) K7(CADENZA)(10.05-) VERNA 05MY(05.08-10.12) PRIDE 05MY(05.08-11.10) FORTE(08.08-),HYBRID I-30(07.06-11.12) TUCSON IX(09.08-) SPORTAGE R(10.03-) GRANDEUR(AZERA) HG(11.02-) | 58302-1JA30 58302-1MA40 58302 C1A00 58302 C1A10 58302 2LA00 58302 2LA31 58302 2LA40 58302-1MA00 58302-2S000 58302-2SA30 58302-2SA70 58302-3RA00 58302-3SA20 58302-1XA30 | SP1187 | | D1157-8267 D1398-8506 | 24320 24321 24322 | GDB3421 | ○ | 16 |
| FPH26 | S1H26 | FRONT (PAD) | HYUNDAI | AVANTE(ELANTRA) MD | AVANTE(ELANTRA) MD(10.08-) VELOSTER (11.03-) K3(CERATO)(12.10-) I-30 12MY(12.01-) | 58101-2VA00 58101-2VA10 58101-3VA10 58101-3XA00 58101-3XA20 58101-A5A00 58101-A6A00 58101-A7A00 58101-B1A00 | SP1400 | | | D1543-8751 D1595-8810 | | ○ | 10 |
| FPH26R | S1H26R | REAR (PAD) | HYUNDAI | AVANTE(ELANTRA) MD R | AVANTE(ELANTRA) MD(10.07-) ACCENT(SOLARIS) 11MY(11.01-) PRIDE 12MY(11.11-) I-40(12.01-) K5 EPB TYPE(10.05-) ALL NEW CARENS(13.03-) K3 (CERATO) 13" | 58302-1RA30 58302-3XA30 58302-A4B00 58302-A4B50 58302-B4A30 58302 3XA00 | SP1401 | | | D1544-8428 | 24934 24935 24936 | ○ | 16 |
| FPH27 | S1H27 | FRONT (PAD) | HYUNDAI | ACCENT(SOLARIS) 11MY | ACCENT(SOLARIS) 11MY(11.01-) PRIDE 12MY(12.01-) | 58101-1RA00 58101-1RA01 58101-1RA05 58101-1WA00 58101-1WA05 58101-1WA35 | SP1399 | | | D1593-8806 | 25348 25350 25359 | ○ | 10 |

FRIXA BRAKE SYSTEM KOREAN VEHICLES



| FRIXA CODE | S1 CODE | POSITION | MAKER | REPRESENTATIVE MODEL | INTERCHANGEABLE | PARTS NO. | SP NO. | HP NO. | FMSI NO. | WVA NO. | TRW | E-MARK (E90) | SET / CARTON |
|---------------|-----------------|-------------|---------|-----------------------------------|---|---|------------------------------------|-------------|------------|-------------------------|---------|--------------|--------------|
| FPH28 | S1H28 | FRONT (PAD) | HYUNDAI | GRANDEUR(AZERA) HG | GRANDEUR(AZERA) HG 3.0 17*(11.02-11.12) GRANDEUR HG 3.0 18*(11.02-) GENESIS COUPE 17*(08.10-) K5 2.0 GDI 18*(11.07-) K5(NEW OPTIMA) TURBO GDI (18") VELOSTER TURBO (11.02-) K3 KOUP(12.10-) | 58101-2MA00 58101-2TA20 58101-2TA21 | SP1403 | | D1413-8527 | 24915 24917 | | ○ | 10 |
| FPH28NR | S1H28NR | REAR (PAD) | HYUNDAI | GRANDEUR(AZERA) HG 3.3 EPB TYPE R | GRANDEUR(AZERA) HG 3.3 EPB TYPE(11.02-) ASLAN 15MY | 58302-3VA50 | SP1499 | | | | | | 16 |
| FPH29 | S1H29 | FRONT (PAD) | HYUNDAI | EQUUS (CONTINENTAL) 11MY | EQUUS(CONTINENTAL) (18") 12MY(11.12-) GENESIS 13MY(12.12-) K9 3.8(12.04-) | 58101-3NA50 58101-3NA80 58101-B1A30 | SP1547 | | D1799-9030 | | | | 8 |
| FPH30 (FPK21) | "S1H30 (S1K21)" | FRONT (PAD) | HYUNDAI | GRAND STAREX(H1) | NEW CARNIVAL(SEDONA)(16") (06.02-) GRAND STAREX(H1) (07.05-) | 58101-4DA00 58101-4DE00 58101-4HA00 58101-4HA01 58101-4HA10 58101-4HA50 | SP1238 | | D1566-8775 | 24598 24606 | GDB3448 | ○ | 10 |
| FPH31R | S1H31R | REAR (PAD) | HYUNDAI | VELOSTER | VELOSTER(11.02-) K7 EPB TYPE(10.05-) YF SONATA EPB(09.09-) LF SONATA EPB(14.03-) ALL NEW SOUL(13.10-) K3(CERATO)(12.10-) I-30 12MY (HAND TYPE) (12.01-) K3 KOUP(12.10-) | 58302-2VA30 58302-3RA70 58302-A5B30 58302-A7B30 58302-C1A50 58302-G3A60 58302-A7B31 | SP1407 | | D1594-8428 | 25337 25338 25339 | | ○ | 16 |
| S1H31NR | S1H31NR | REAR (PAD) | HYUNDAI | VELOSTER EPB TYPE R | VELOSTER EPB TYPE(11.02-) I-30 12MY EPB TYPE(12.01-) LF SONATA EPR TYPE(14.03-) | 58302-A5A20 58302-G3A40 | SP1851 | | D1813-8428 | | | | 8 |
| FPH32 | | FRONT (PAD) | HYUNDAI | MIGHTY 11MY F | MIGHTY 11MY (11.07-) | 58101-5LA00 58101-5MA00 | SP1552 | | | | | | 6 |
| FPH33 | S1H33 | FRONT (PAD) | HYUNDAI | LF 15 F | LF SONATA (14.03-) | 58101-C1A00 58101-D1A00 58101-D4A00 | SP1681 | | | | | | 10 |
| FPH33R | S1H33R | REAR (PAD) | HYUNDAI | LF R | LF SONATA (14.03-) | 58302-D4A00 58302-C1A00 58302-C1A10 | SP1850 | | | | | | 16 |
| FPH34 | S1H34 | FRONT (PAD) | HYUNDAI | LF 16 F (LF 17" F) | LF SONATA 16" (14.03-) LF SONATA HYBRID 16" (14.03-) I30 16" (16.09-) | 58101-C1A10 58101-C1A20 58101-D4A10 58101-D4A20 58101-GA310 | SP1682 (LF 16") SP1683 (LF 17") | | | | | ○ | 10 |
| FPH35 | S1H35 | FRONT (PAD) | HYUNDAI | ALL NEW TUCSON | IONIQ NIRO SPORTAGE 16MY (15.09-) AVANTE AD SPORT (16.04-) | 58101-D3A00 58101-D7A10 | SP1844 | 58101-F2A50 | | | | | 10 |
| FPH35R | S1H35R | REAR (PAD) | HYUNDAI | ALL NEW TUCSON (HAND TYPE) | SPORTAGE 16MY (15.09-) | 58302-D3A00 | SP1845 | | D1848-8428 | | | | 16 |
| FPH35NR | S1H35NR | REAR (PAD) | HYUNDAI | ALL NEW TUCSON (EPB TYPE) | IONIQ NIRO SPORTAGE 16MY EPB(15.09-) AVANTE AD(15.09-) | 58302-D3A70 58302-G7A30 58302-F2A30 58302-F2000 | SP1846 | | | | | ○ | 16 |

| FRIXA CODE | S1 CODE | POSITION | MAKER | REPRESENTATIVE MODEL | INTERCHANGEABLE | PARTS NO. | SP NO. | HP NO. | FMSI NO. | WVA NO. | TRW | E-MARK (E90) | SET / CARTON |
|------------|---------|-------------|---------|-------------------------|---|--|-----------------|--------|------------------------|-------------------------|--|--------------|--------------|
| FPH36 | S1H36 | FRONT (PAD) | HYUNDAI | GENESIS EQ900(HI) | | 58101 D2A00 | SP1955 (HP1055) | | | | | | |
| FPH36R | S1H36R | REAR (PAD) | HYUNDAI | GENESIS EQ900(HI) | | 58302 D2A00 58302 D2A03 58302 D2A05 | SP1978 (HP1978) | | | | | | |
| FPH37 | S1H37 | FRONT (PAD) | HYUNDAI | AVANTE AD | IONIQ NIRO | 58101 F2A00 58101 G2A00 58101 F2000 | SP1907 | | | | | ○ | 10 |
| FPH38 | S1H38 | FRONT (PAD) | HYUNDAI | SOLATI | | 58101 59A00 | SP4037 | | | | | | 8 |
| FPH38R | S1H38R | REAR (PAD) | HYUNDAI | SOLATI | | 58301 59A00 | SP4038 | | | | | | 10 |
| FPH39 | S1H39 | FRONT (PAD) | HYUNDAI | GRAND STAREX 17MY | | 58101 4HA15 | SP1890 | | | | | | 10 |
| FPHXDF | S1HXDF | FRONT (PAD) | HYUNDAI | AVANTE(ELANTRA) XD | AVANTE(ELANTRA) XD1.5(00.03-04.04) | 58101-2D000 58101-2DA00 58101-2DA10 | SP1147 | HP0020 | | | | | 16 |
| FPHXGF | S1HXGF | FRONT (PAD) | HYUNDAI | GRANDEUR(AZERA) XG | GRANDEUR(AZERA) XG2.5(3.0(15") (98.09-02.06) GRANDEUR(AZERA) XG2.7 TAXI(15") (98.09-02.06) | 58115-391S0 | SP1115 | HP0015 | D864-7792 | | | | 12 |
| FPHXGN | S1HXGN | FRONT (PAD) | HYUNDAI | NEW GRANDEUR (AZERA) XG | GRANDEUR(AZERA) XG2.5(3.0(16") (02.07-05.05) EQUUS(CONTINENTAL) 3.0/3.5(16") (01.07-03.09) EQUUS(CONTINENTAL) 4.5(01.02-04.05) OPIRUS(AMANTI) (03.02-06.05) RODIUS(STAVIC)(04.06-) NEW TERRACAN (04.08-06.10) TRAJET XG(16") (02.07-07.05) KORANDO TURISMO(13.03-) | 48130-21A00 4813A-21100 58101-39A60 58101-3BA01 58101-3BA02 58101-3FA00 58101-3FA10 58101-3FA20 | SP1161 | HP0016 | D1013-7917 | | GDB3257 | 10 | |
| FPHXGR | S1HXGR | REAR (PAD) | HYUNDAI | GRANDEUR(AZERA) XG R | EF SONATA(98.04-00.12) NEW EF SONATA(01.01-04.08) NF SONATA(04.09-07.09) GRANDEUR(AZERA) XG, NEW GRANDEUR(AZERA) XG(98.04-05.05) LOTZE(04.11-07.11) OPIRUS(AMANTI) (03.02-06.05) OPTIMA/OPTIMA REGAL(02.08-05.10) GRANDEUR(AZERA) TG(05.06-10.12) TUCSON(04.03-09.07) NEW SPORTAGE(04.08-10.02) TRAJET XG(99.09-07.05) SANTAFE 2WD/4WD(00.02-05.11) LAVITA(00.04-) NEW AVANTE(ELANTRA) XD2.0(04.05-06.05) AVANTE(ELANTRA) 06MY(06.06-10.07) | 58215-383S0 58302-1CA10 58302-1FA00 58302-1FE00 58302-2GA00 58302-2EA20 58302-2EA30 58302-2EA00 58302-2EA30 58302-2GA00 58302-2HA00 58302-38A00 58302-38A10 58302-38A20 58302-38A30 58302-1FA50 | SP1117 | HP0008 | D813-7688 D863-7688 | 23543 23544 23545 | GDB3282 GDB3284 GDB3298 GDB3413 | ○ | 12 |

FRIXA BRAKE SYSTEM KOREAN VEHICLES



| FRIXA CODE | S1 CODE | POSITION | MAKER | REPRESENTATIVE MODEL | INTERCHANGEABLE | PARTS NO. | SP NO. | HP NO. | FMSI NO. | WVA NO. | TRW | E-MARK (E90) | SET / CARTON | |
|----------------|---------------|-------------|-------|----------------------|--|--|--|----------|------------------|--------------------------|----------------------------------|--|--------------|----|
| FPK01 | | FRONT (PAD) | KIA | PRIDE | PRIDE/BETA(86.-99.) | D001-3328Z D012-3328Z DA19-3328Z DA19-3328ZA | KK150-33100 KK150-3323Z KK150-3328Z KK325-3328Z | SP1049 | HP1001 | D402-7291 | 21355 21356 21357 | GDB773 | ○ | 20 |
| FPK01N | S1K01N | FRONT (PAD) | KIA | PRIDE(NEW) | PRIDE 05MY(NEW RIO) (05.08-11.10) VERNA(ACCENT) 05MY(05.08-10.12) | 58101-1GA00 58101-1GE00 58101-1JA10 | | SP1186 | | D1156-8266 | 24317 24318 24319 | GDB3420 | ○ | 12 |
| FPK01NR | | REAR (PAD) | KIA | PRIDE 05MY R | VERNA 05MY(05.08-10.12) PRIDE 05MY(05.08-11.10) | 58302-1GA00 58302-1GE00 | | SP1187 | | D1157-8267 D1398-8506 | 24320 24321 24322 | GDB3421 | ○ | 16 |
| FPK02 | S1K02 | FRONT (PAD) | KIA | CONCORD | CONCORD CAPITAL | OK900-49230 GA2949280 GA9749280 GA9749280A GGY8-3328Z GGY8-3328Z9A OK9004923Z | | SP1051 | | D317-7169 | 21360 20794 21168 21666 | GDB1036 | | - |
| FPK03 | | FRONT (PAD) | KIA | SEPHIA | SEPHIA I/II(92.-00.06) SHUMA(97.03-99.) | OK20A-3323Z OK240-3323Z OK2A2-3323Z OK2A3-3323Z OK2A4-3323Z | OK3Y2 3323Z OK2X3-3323Z OK2Y1-3323Z OK2Y2-3323Z OK2Y3-3323ZA OK239-3323Z | SP1063 | HP1003 HP1021 | D649-7529 | 23384 23385 23386 | GDB3096 | ○ | 10 |
| FPK04 | | FRONT (PAD) | KIA | CREDOS | CREDOS(95.03-98.03) | OK9A0-3328Z OK9A6-3328Z OK9A7-3328Z OK9Y6-3328Z | | SP1079-F | HP1007 | | 23450 23451 | GDB3173 | | 10 |
| FPK04N | S1K04N | FRONT (PAD) | KIA | CREDOS II | CREDOS II(98.04-00.07) CARENS(RONDO) (99.06-02.03) RIO SF 1.5(14") (02.06-05.04) SPECTRA(01.02-03.07) | OK2N1-3328Z OK2N1-3328ZA OK9B3-3328Z OK9B6-3328Z OK9D0-3323Z OK9D0-3328Z 58115-FDB00 58115-FDC00 K0BB1-3323Z | | SP1113 | HP1008 | D889-7767 | 23873 23874 23875 | GDB3245 GDB3285 | ○ | 16 |
| FPK04R | S1K04R | REAR (PAD) | KIA | CREDOS R | CREDOS I/II(95.03-00.07) SEPHIA II(95.-99.) SHUMA(97.-99.) SPECTRA(01.02-) X-TREK(03.04-06.03) CARENS(RONDO) I/ II(99.06-06.03) | OK2FA-2628Z OK2FC-2628Z OK9A0-2628Z | | SP1079-R | | D775-7642 | 23455 23456 23457 | | ○ | 16 |
| FPK05 | | FRONT (PAD) | KIA | AVELLA | AVELLA(94.02-99.12) ELAN(96.07-98.) RIO(99.11-02.05) FORD FESTIVA 94" FORD LASER 90" MAZDA 121 90" MAZDA 323 IV 89" MAZDA 323 V 94" MAZDA DEMIO 98" MAZDA FAMILIA 89" | OK30A-3328Z B455-33292 B4Y6-3323Z B5Y6-3323Z B5Y6-3323Z9A B5Y6-3323ZA B5Y6-3328Z B5Y6-3328Z9A B5Y6-3328ZA B5Y8-3323ZA BCYW-3323Z | BCYW-3323ZC BRY0-3328Z BRY7-3323ZA DCY0-3323Z DCY0-3323ZA DCY0-3323ZB DCY1-3323Z DCY5-3323Z KK370-3323Z KK370-3328Z K0BA2-3328Z K0BA2-3328Z | SP1067 | HP1002 | D466-7219 D466-7613 | 21654 21655 21656 | GDB1024 GDB3206 GDB3252 GDB3262 | ○ | 20 |

| FRIXA CODE | S1 CODE | POSITION | MAKER | REPRESENTATIVE MODEL | INTERCHANGEABLE | PARTS NO. | SP NO. | HP NO. | FMSI NO. | WVA NO. | TRW | E-MARK (E90) | SET / CARTON | |
|---------------|---------------|-------------|-------|----------------------|--|--|---|----------|----------|---------------------------------------|----------------------------------|--------------------|--------------|----|
| FPK06 | | FRONT (PAD) | KIA | POTENTIA | POTENTIA(98.06-01.04) | OK998-3328Z OK998-3328ZA V9118C026 H330-33-28ZA MB334326 MC862934 MC869779 04465-04020 04465-04040 04465-22090 04465-43020 AY04-0MA-003 | H260-33-28Z H260-33-28ZA H260-33-28ZB H260-33-625 H261-33-28ZA H330-33-28Z H722-33-23Z H722-33-23ZA H722-33-28Z H722-33-28ZA HE21-33-28ZA HE21-3328Z HE21-33-28ZB | SP1060-F | HP1005 | 7276-D389 7320-D433 | 21318 21538 | | | |
| FPK06R | | REAR (PAD) | KIA | POTENTIA R | POTENTIA(NEW)(98.06-) | OK9Y1-2643ZA | | SP1084 | HP1006 | | | | | |
| FPK07 | | FRONT (PAD) | KIA | SPORTAGE | SPORTAGE(93.-00.) | OK011-3323Z OK0Y1-3323Z OK0Y2-3323Z | | SP1070 | HP1028 | D670-7550 D719-7550A | 21892 21893 21894 | GDB3123 | | 6 |
| FPK07N | S1K07N | FRONT (PAD) | KIA | SPORTAGE GRAND | SPORTAGE GRAND(00.-02.) RETONA(00.-02.) | OK045-3323Z | | SP1118 | HP1015 | D774-7641 | 23442 23443 23444 | GDB3241 | ○ | 16 |
| FPK08 | | FRONT (PAD) | KIA | BESTA | BESTA(87.07-97.04) WIDE BONGO(96.01-97.04) FRONTIER(OLD) (97.10-99.06) | OK70Y-3328Z OK710-3328Z OK71E-3328Z OS08349280 S23149280 S23149280A | S2YA3323Z S2YA3328Z SA2649280 SA9149280 SA9449280A SF043328Z9A SF043328Z | SP1044 | HP1010 | D1199-8319 | 20002 20191 20192 | GDB737 GDB983 | ○ | 20 |
| FPK09 | | FRONT (PAD) | KIA | NEW FRONTIER | NEW FRONTIER(99.06-03.12) TOPIC(87.-91.) | OK60A-3328Z OK60A-3328ZA OK60B-3328ZA OK60B-3328Z AA70A-33625 AA70A-33635 RB913311261 RB91331626 | | SP1056 | HP1014 | D1513-8722 | 23784 23785 23786 | GDB3145 | ○ | 12 |
| FPK10 | | FRONT (PAD) | KIA | PREGIO | PREGIO(95.10-98.05) | OK72A-3328Z | | SP1091 | HP1013 | | 23484 23485 23486 | GDB3263 | | 12 |
| FPK10N | S1K10N | FRONT (PAD) | KIA | NEW PREGIO | NEW PREGIO(98.06-03.12) CARNIVAL(SEDONA) II(99.01-03.12) | OK56A-3323Z OK56B-3323Z OK58A-3323Z OK72G-3328Z OK75A-3328Z | OK75B 3328Z | SP1116 | HP1012 | | 23649 23650 23651 | GDB3261 GDB3301 | ○ | 12 |
| FPK11 | | FRONT (PAD) | KIA | TOWNER | TOWNER(TRUCK/VAN) (96.-02.) | AA100-33625 K0BM1-3328Z | | SP1073 | HP1019 | | 20780 | | | |
| FPK13 | | FRONT (PAD) | KIA | CARNIVAL(SEDONA) | CARNIVAL(SEDONA) (98.01-99.01) | OK552-3323Z OK553-3323Z 4713175 4778058 4883344 83504371 8305252531 | 58101-4EB01 | SP1112 | HP1011 | D477-7338A D712-7358 D712-7507A | 21822 21823 21824 21825 | GDB1153 GDB4104 | | 6 |
| FPK14N | S1K14N | FRONT (PAD) | KIA | CARENS(RONDO) II | CARENS(RONDO) II(02.03-06.03) X-TREK(03.04-06.03) | OK2FA-3328Z OK2JA-3328Z 58101-1HA00 | | SP1162 | HP1020 | | 23966 28987 23988 | GDB3342 GDB3450 | ○ | 16 |
| FPK15 | S1K15 | FRONT (PAD) | KIA | SORNETO | SORENTO(02.02-09.03) | 58101-3E000 58101-3ED00 58101-3ED02 58101-3EE00 58101-3EE01 | | SP1153 | HP1017 | D1301-8417 | 24092 24178 24179 | GDB3452 | ○ | 12 |
| FPK15R | S1K15R | REAR (PAD) | KIA | SORENTO R | SORENTO(02.01-) | 58302-3ED00 58302-3ED01 58302-3ED02 58302-3EE00 | | SP1154 | HP1018 | D1261-8379 | 23993 23997 24058 | GDB3344 | ○ | 16 |

FRIXA BRAKE SYSTEM KOREAN VEHICLES



| FRIXA CODE | S1 CODE | POSITION | MAKER | REPRESENTATIVE MODEL | INTERCHANGEABLE | PARTS NO. | SP NO. | HP NO. | FMSI NO. | VVA NO. | TRW | E-MARK (E90) | SET / CARTON | |
|------------|---------|-------------|-------|--------------------------|--|---|--|--------|------------|--------------------------|-------------------------|--------------|--------------|----|
| FPK16 | | FRONT (PAD) | KIA | BONGO III 1.4TON | FRONTIER1.3TON (99.06-03.12) BONGO III 1.4TON (04.01-) PAMAX1.4TON-3.5TON (04.01-) | OK40D-3328Z 58101-4EB01 | SP1148 | HP1016 | | | | | 6 | |
| FPK17 | | FRONT (PAD) | KIA | CERATO(FORTE) | CERATO(FORTE)1.5(14") (03.10-05.03) LAVITA(NEW)(02.04-) AVANTE(ELANTRA) XD1.5(ABS)(02.04-04.04) AVANTE(ELANTRA) XD2.0(00.03-04.04) NEW AVANTE(ELANTRA) XD1.6(04.05-06.05) | 58101-17A10 58101-17A20 58101-2DA31 58101-2DA40 58101-2FA00 58101-2FA01 | 58101-2DA30 58101-2DA60 58101-2SA31 | SP1152 | HP0027 | D941-7843 | 24031 24032 24033 | GDB3378 | ○ | 10 |
| FPK17N | S1K17N | FRONT (PAD) | KIA | CERATO(FORTE) 15" | CERATO(FORTE)2.0(15") (03.10-05.03) NEW CERATO(FORTE)1.5(15") (05.03-08.09) | 58101-2FA10 58101-2FA20 | SP1167 | HP1031 | D1074-7979 | 24218 24219 24220 | GDB3367 | ○ | 12 | |
| FPK18 | | FRONT (PAD) | KIA | BONGO III TRUCK | BONGO III TRUCK(04.01-) | 58101-4EA00 KOB1-3328Z | SP1175 | HP1023 | | | | | 10 | |
| FPK19 | | FRONT (PAD) | KIA | BONGO III VAN | BONGO III VAN(04.01-) | 58101-4EB00 | SP1176 | HP1024 | | | | | 10 | |
| FPK20 | S1K20 | FRONT (PAD) | KIA | MORNING(PICANTO) | MORNING(PICANTO) (04.01-10.12) | 58101-07A00 58101-07A10 58101-07A20 58101-0XA00 58101-0XA01 58101-0XA10 | 58101 E1A00 | SP1172 | HP1025 | D1601-8815 | 24275 24410 24411 | ○ | 16 | |
| FPK20N | S1K20N | FRONT (PAD) | | MORNING (PICANTO) 11MY | MORNING(PICANTO) 11MY(11.02-) RAY(11.11-) | 58101-1YA00 58101-1YA10 58101-1YA30 | 58101 1YA20 58101 A3A00 | SP1405 | | 25365 25366 25367 | | ○ | 12 | |
| FPK20NR | S1K20NR | REAR (PAD) | | MORNING (PICANTO) 11MY R | MORNING(PICANTO) 11MY(11.02-) RAY(11.11-) | 58302-1YA00 58302-1YA30 | 58302 A3A00 58302 1KA30 58302 1YA50 | SP1406 | | | | ○ | 16 | |
| FPK20R | | REAR (PAD) | KIA | MORNING (PICANTO) R | MORNING(PICANTO) (04.01-10.12) | 58302-07A00 58302-07A10 58302-0XA00 | 58302 E1A00 | SP1189 | | 24276 24479 24480 | | ○ | 16 | |
| FPK22 | S1K22 | FRONT (PAD) | KIA | GRAND CARNIVAL (SEDONA) | GRAND CARNIVAL(SEDONA)(17") (05.07-) | 58101-4DB00 58101-4DB00 | | SP1191 | | | | | 10 | |
| FPK23 | | FRONT (PAD) | KIA | ENTERPRISE | ENTERPRISE(97.07-02.10) | OK95B-3328Z | SP1145 | HP1030 | | | | | 16 | |
| FPK24 | | FRONT (PAD) | KIA | RIO SF1.3 | RIO SF1.3(13") (02.06-05.03) | 58115-FDA00 | SP1164 | HP1022 | D1515-8724 | | | ○ | 16 | |
| FPK25 | S1K25 | FRONT (PAD) | KIA | K7(CADENZA) | NEW CARENS(RONDO) (06MY)(06.04-) K7(CADENZA)(09.12-) YF SONATA 2.4 (09.09-) LF SONATA 16"(14.03-) TUCSON IX 4WD(09.08-) TUCSON IX 2WD(12.01-) SPORTAGE R 4WD(10.03-) SPORTAGE R 2WD(11.02-) I-40(12.01-) | 58101-0ZA00 58101-1DA00 58101-1DE00 58101-2SA50 58101-2SA51 58101-2SA70 58101-3RA00 58101-3RA55 58101-3RA60 | 58101-1DA50 58101-1ZA00 58101-D7A50 58101-3RA50 58101 3SA30 58101 E8A00 58101 3ZA61 58101 3ZA00 | SP1196 | | D1295-8614 D1295-8412 | 24501 24502 24503 | ○ | 10 | |
| FPK25R | | REAR (PAD) | KIA | NEW CARENS (RONDO) R | NEW CARENS(RONDO) (06.04-) | 58302-1DA00 58302-1DE00 58302-1DE01 | SP1197 | | D1296-8413 | 24491 24492 24493 | | ○ | 16 | |
| FPK26 | S1K26 | FRONT (PAD) | KIA | MOHAVE(BOREGO) | MOHAVE(BOREGO) (08.01-) | 58101-2JA00 58101-2JA10 | SP1248 | | D1385-8493 | | | ○ | 10 | |
| FPK27 | S1K27 | FRONT (PAD) | KIA | K5(NEW OPTIMA) 15" | K5(NEW OPTIMA) 2.0 (10.05-) LPG TYPE | 58101-2TA00 | SP1397 | | | | | ○ | 10 | |

| FRIXA CODE | S1 CODE | POSITION | MAKER | REPRESENTATIVE MODEL | INTERCHANGEABLE | PARTS NO. | SP NO. | HP NO. | FMSI NO. | VVA NO. | TRW | E-MARK (E90) | SET / CARTON | |
|---------------|---------------|-------------|-----------------|----------------------|--|---|---|--------------------|----------|---|----------------------------------|--------------|--------------|----|
| FPK28 | S1K28 | FRONT (PAD) | KIA | K5(NEW OPTIMA) 16" | K5(NEW OPTIMA) 2.4 (10.05-) K5(NEW OPTIMA) 2.0 GDI (-17")(11.07-) K5(NEW OPTIMA) TURBO (-17") GRANDEUR(AZERA) HG(16")(11.02-) | 58101-3QA10 58101-3QA50 58101-3VA50 | 58101-2TA50 58101-4UA00 58101 3VA60 | SP1398 | | D1444-8595 | 25644 25645 25646 | | ○ | 10 |
| FPK29 (FPH18) | S1K29 (S1H18) | FRONT (PAD) | KIA | SORENTO R 09MY | NEW SANTAFE 06MY, 12MY(05.11-) CHAIRMAN H(10.01-) SORENTO R(09.04-) KORANDO C(11.02-) MAXCRUZ(13.03-) GENESIS COUPE 2.0(3.8 V6 08" | 58101-0WA00 58101-2WA00 58101-2BA00 58101-2BA10 58101-2BA20 58101-2PA00 58101-2PA70 58101-2S500 58101-4DU00 | 58101-2WA70 58101-2WA90 58101-2JA11 48130-341A0 48130 340A0 48130 113A0 | SP1194 | | D1202-8322 D1202-8400 D1384-8400 | 24351 24352 24568 24569 | | ○ | 10 |
| FPK30 | S1K30 | FRONT (PAD) | KIA | K9 3.3 | K9 3.3(12.03-) ALL NEW CARENS(13.03-) GRANDEUR(AZERA) HG 12MY(12.01-) ASLAN 15MY | 58101-3TA10 58101-AA401 58101-3VA90 | 58101 3VA70 | SP1545 | | | | | | 10 |
| FPK30R | S1K30R | REAR (PAD) | KIA | K9 3.3 R | K9 3.3(12.03-) | 58302-3MA30 | | SP1546 | | D1551-8761 | | | 16 | |
| FPK31 | S1K31 | FRONT (PAD) | KIA | ALL NEW CARNIVAL F | | 58101-A9A00 58101-A9A10 | | SP1688 | | | | | 10 | |
| FPK32 | S1K32 | FRONT (PAD) | KIA | ALL NEW SORENTO F | | 58101-C5A00 | 58101 C5A70 | SP1690 | | | | | 10 | |
| FPK32R | S1K32R | REAR (PAD) | KIA | ALL NEW SORENTO R | | 58302-C5A00 | | SP1691 | | | | | 16 | |
| FPK33 | S1K33 | FRONT (PAD) | KIA | ALL NEW K7 | GRANDEUR IG | 58101 F6A10 | | SP1986 | | | | | 10 | |
| FPK33R | S1K33R | REAR (PAD) | KIA | ALL NEW K7 | GRANDEUR IG | 58302 F6A00 | | SP1987 | | | | | 16 | |
| FPS01 | S1S01 | FRONT (PAD) | RENAULT SAMSUNG | SM-5 | 518/520/525(98.-05.03) INFINITI G20 99" INFINITI G20 01" INFINITI G20 02" INFINITI 130 96" INFINITI 130 01" NISSAN 180 SX 91" NISSAN 200 SX 91" NISSAN 350 Z 03" NISSAN ALTIMA 95",02",07" NISSAN BLUEBIRD IV 93" NISSAN CUBE 09" NISSAN MAXIMA(J30) 88",01" NISSAN MAXIMA WAGON 01" 97" NISSAN MAXIMA QX 95" NISSAN SENTRA 00" | 41060-2Y090 41060-2Y091 41060-2Y991 41060-40U90 41060-40U92 41060-5Y790 41060-88E87 41060-88E90 41060-88E91 | 41060-88E94 41060-89E90 41060-89E91 41060-8J090 41060-AU091 41060-ZG225 48111-51110K0 AY040NS101 | SP1107-F HP3001 | HP3001 | D430-7832 D653-7318 D815-7318 D815-7783 D815-7832 | 21561 21562 21633 | GDB1003 | | 16 |
| FPS01NR | S1S01NR | REAR (PAD) | RENAULT SAMSUNG | SM-5 02MY R | SM-5 02MY(02.07-05.03) | 44060-4U092 44060-6Y390 44060-6Y391 44060-AU090 44060-AU091 48311-52001K0 55800-60J00 55800-60J10 F1Y12643Z F1YA2343Z F1YA2348Z F1YA2643Z F1YA2648Z | | SP1163 | HP3003 | D900-7777 D1008-7912 D1008-8313 | 24039 24040 24041 | | 16 | |

FRIXA BRAKE SYSTEM KOREAN VEHICLES



| FRIXA CODE | S1 CODE | POSITION | MAKER | REPRESENTATIVE MODEL | INTERCHANGEABLE | PARTS NO. | SP NO. | HP NO. | FMSI NO. | WVA NO. | TRW | E-MARK (E90) | SET / CARTON |
|------------|---------|-------------|-----------------|----------------------|---|---|--|----------|--|----------------------------------|-------------------------|--------------|--------------|
| FPS01R | S1S01R | REAR (PAD) | RENAULT SAMSUNG | SM-5 R | 518/520/525(98.-05.03) INFINITI G20 (P10) 90°_95°99°,01°.02° INFINITI I30 96°,01° NISSAN 100NX(B13) 90° NISSAN ALMERA / PULSAR (N15) 98° NISSAN ALMERA / PULSAR (N15) 96° NISSAN ALMERA / PULSAR (N15) 98° NISSAN ALMERAI / PULSARII (N16) 00° NISSAN ALTIMA 95° NISSAN BLUEBIRD IV 93° NISSAN MAXIMA QX 00° NISSAN SUNNY III 86°,93° | 48311-51110K0 44060-0N690 44060-4U090 44060-6E390 44060-73C91 44060-75C90 44060-7E690 | 48311 51100K0 | SP1107-R | HP3002 | D540-7533 | 21713 21714 21715 | GDB1172 | 16 |
| FPS02 | S1S02 | FRONT (PAD) | RENAULT SAMSUNG | SM-3 | SM-3(02.-09.06) | 1N17-33-28Z 41060-4M490 41060-6N091 41060-6N0X1 41060-95FOA 48111-31100K0 | AY040NS072 AY040NS073 AY040NS084 AY040NS096 AY040NS100 AY040NS108 | SP1156 | HP3004 | D1193-8311 | 24647 24648 24649 | GDB7043 | 16 |
| FPS03 | S1S03 | FRONT (PAD) | RENAULT SAMSUNG | SM-7 | NEW SM-5(LATITUDE) (05.04-10.12) SM-7(05.04-11.07) | 48111-52100K0 | | SP1183 | HP3005 | | | | 16 |
| FPS03R | S1S03R | REAR (PAD) | RENAULT SAMSUNG | SM-7 R | NEW SM-5(LATITUDE) (05.04-10.12) SM-7(05.04-11.07) INFINITI FX(S50) 03° INFINITI FX35 03°,06° INFINITI FX45 03°,06° INFINITI G35 03°,05°,06°,07° NISSAN 350Z 3.5 03°,06° NISSAN 350Z 3.5GT 06° NISSAN ALTIMA 2.5/3.5 V6 02° NISSAN ALTIMA SE-R 06° NISSAN MAXIMA WAGON 04° NISSAN MURANO(Z50) 03° NISSAN QUEST 04° NISSAN X-TRAIL 01° | 44060-8H385 44060-AL585 44060-AL586 44060-AM485 44060-CB10J 44060-EG00J 44060-EG00K 44060-EG085 48311-52000K0 D4060-8H385 D4060-EG50C | SP1184 | | D1393-8501 D1415-8405 D905-7784 | 23814 23871 23872 24088 | GDB3294 | 16 | |
| FPS04 | S1S04 | FRONT (PAD) | RENAULT SAMSUNG | QM-5 | QM-5(07.12-) | 41060-0V790 41060-CC090 41060-CC093 41060-EB325 41060 AR090 | D1060 1NCOA D1060 EG51A 41060 0771R AY040NS058 D1060-EJ20A | SP1249 | | D888-7766 D888-8221 | 23698 23699 24497 | | 10 |
| FPS04R | S1S04R | REAR (PAD) | RENAULT SAMSUNG | QM-5 R | QM-5(07.12-) | 41060-1408R | | SP1250 | | | | | 12 |
| FPS05 | S1S05 | FRONT (PAD) | RENAULT SAMSUNG | NEW SM-3 | NEW SM-3(09.07-) QM-3(13.12-) | 41060-00Q1B 41060-00Q1C 41060-5961R 41060-7115R 44060-3905R 44060-7115R | SP1390 | | D1627-8844 | 24914 | GDB1789 | 16 | |
| FPS05R | S1S05R | REAR (PAD) | RENAULT SAMSUNG | NEW SM-3 R | NEW SM-3(09.07-) SM6(16.03-) | 44060-2070R 44060 6418R 44060 2652R | SP1391 | | D340-7234, D340-7234 D894-7773, D1017-7920 D1023-7773, D1112-8216 | 20261 20960 23554 | GDB1196 GDB1330 | 12 | |

| FRIXA CODE | S1 CODE | POSITION | MAKER | REPRESENTATIVE MODEL | INTERCHANGEABLE | PARTS NO. | SP NO. | HP NO. | FMSI NO. | WVA NO. | TRW | E-MARK (E90) | SET / CARTON |
|------------|---------|-------------|-----------------|----------------------|--|---|-----------|--------|--|---|---|--------------|--------------|
| FPS06 | S1S06 | FRONT (PAD) | RENAULT SAMSUNG | NEW SM-5 11MY | NEW SM-5(LATITUDE) 11MY(11.01-) | 41060-1605R | SP1107-FA | | D815-7318 | 24280 24281 24282 | | | 10 |
| FPS06R | S1S06R | REAR (PAD) | RENAULT SAMSUNG | NEW SM-5 R | NEW SM-5(LATITUDE) 11MY(11.01-) ALL NEW SM-7(11.08-) | 44060-2154R 44060-8281R | SP1396 | | D1757-8985 | 25265 25266 | | | 12 |
| FPS07 | S1S07 | FRONT (PAD) | RENAULT SAMSUNG | ALL NEW SM-7 | ALL NEW SM-7(11.08-) | 41060-0311R 41060-7585R | SP1516 | | | 41060-0032R 41060-2933R 44060-0011R 44060-0032R 41060 2309R | | | 8 |
| FPS08 | S1S08 | FRONT (PAD) | RENAULT SAMSUNG | SM-3 13MY | | 41060-8736R | SP1687 | | | | | | 10 |
| FPS08R | S1S08R | REAR (PAD) | RENAULT SAMSUNG | SM-3 13MY | | 44060-4694R 44060-1416R 44060-3734R | SP1839 | | | 24820 | | | 16 |
| FPS09 | S1S09 | FRONT (PAD) | RENAULT SAMSUNG | ALL NE SM-7 14MY | | 41060 3152R | SP1778 | | | | | | 12 |
| FPS10 | S1S10 | FRONT (PAD) | RENAULT SAMSUNG | SM-6 | | 41060 7018R | SP1704 | | | | | | 10 |
| FPS10R | S1S10R | REAR (PAD) | RENAULT SAMSUNG | SM-6 EPB | | 44060 7082R | SP1903 | | | | | | 12 |
| FPS11 | S1S11 | FRONT (PAD) | RENAULT SAMSUNG | QM-6 | | 41060 7185R | SP1714 | | D1736-8906 | 25910 25911 25912 | | | 10 |
| FPS11R | S1S11R | REAR (PAD) | RENAULT SAMSUNG | QM-6 | | 44060 3981R | | | | | | | 12 |
| FPY01 | | FRONT (PAD) | SSANGYONG | ISTANA | ISTANA(95.-03.06) | 66142-03021 | SP1083 | HP4003 | | | GDB7614 | | 12 |
| FPY02 | | FRONT (PAD) | SSANGYONG | MUSSO | MUSSO, MUSSO SPORTS(97.12-08.08) KORANDO FAMILY(88.10-99.10) NEW KORANDO(96.07-05.12) | 48130-05000 48130-05010 48130-05011 48130-05012 | SP1065 | HP4001 | D449-7329, D462-7342 D469-7349, D485-7342 D700-7329, D747-7329 D887-7765 | 21725 21756 21757 | GDB3101 GDB3169 GDB3211 GDB3256 GDB3283 GDB3365 GDB7521 GDB895 | 10 | |
| FPY03 | S1Y03 | FRONT (PAD) | SSANGYONG | REXTON | REXTON(01.-03.12) | 48130-08050 48130-08150 48130-08152 | SP1144 | HP4004 | | 21725 21726 21727 | | | 16 |
| FPY03R | S1Y03R | REAR (PAD) | SSANGYONG | REXTON R | MUSSO(97.12-08.08) CHAIRMAN H(08.02-11.06) NEW KORANDO(96.07-05.12) KYRON(05.06-11.12) ACTYON(05.10-10.12) REXTON(01.09-) KORANDO C SPORTS(12.01-) | 48413-090A0 48413-090A1 48450 113A0 | SP1151 | HP4002 | | 48413-05100 48413-05102 48413-08050 48413-08051 | GDB3382 | 16 | |
| FPY04 | S1Y04 | FRONT (PAD) | SSANGYONG | CHAIRMAN | CHAIRMAN, NEW CHAIRMAN(97.07-08.03) | 48150-110A2 | SP1088 | HP4005 | | | | | 10 |
| FPY04R | | REAR (PAD) | SSANGYONG | CHAIRMAN R | CHAIRMAN, NEW CHAIRMAN(97.07-08.03) | 48450-110A0 | SP1089 | | | | | | 20 |
| FPY05R | S1Y05R | REAR (PAD) | SSANGYONG | RODIUS(STAVIC) R | RODIUS(STAVIC)(04.06-) KYRON IRS(05.06-11.12) ACTYON IRS(05.10-10.12) KORANDO TURISMO(13.03-) | 48413-091A0 48413-091A1 48413-21A10 58302-3EU00 58302-4DU00 | SP1173 | | D954-7853 | 23931 23932 23933 | GDB3413 | 16 | |

FRIXA BRAKE SYSTEM KOREAN VEHICLES

Distributed by

driving emotion

| FRIXA CODE | S1 CODE | POSITION | MAKER | REPRESENTATIVE MODEL | INTERCHANGEABLE | PARTS NO. | SP NO. | HP NO. | FMSI NO. | VVA NO. | TRW | E-MARK (E90) | SET / CARTON |
|------------|---------|-------------|-----------|----------------------|--|---|-------------|--------|----------|------------------------|-------------------------|--------------|--------------|
| FPY06 | S1Y06 | FRONT (PAD) | SSANGYONG | KYRON | KYRON(05.06-11.12) NEW REXTON(06.04-) ACTYON(05.10-10.12) KORANDO C SPORTS(12.01-) | 48130-08250 48130-08260 48130-090A0 48130-091A0 58101-26A40 | 48130 090A2 | SP1171 | HP4007 | D903-7739 D955-7854 | 23569 23570 23571 | GDB3244 | 12 |
| FPY07 | S1Y07 | FRONT (PAD) | SSANGYONG | CHAIRMAN W | | 48130 140B0 | | HP1251 | | | | | |
| FPY08 | S1Y08 | FRONT (PAD) | SSANGYONG | TIVOLI | | 48130-350A0 | | SP1761 | | | | | 10 |
| | | | | | | | | | | | | | |



FRIXA BRAKE SYSTEM **OVERSEAS VEHICLES(PAD)**

FRIXA BRAKE SYSTEM OVERSEAS VEHICLES(PAD)



| FRIXA CODE | POSITION | MAKER | REPRESENTATIVE MODEL | INTERCHANGEABLE | PARTS NO. | SP NO. | HP NO. | FMSI NO. | VVA NO. | TRW | BENDEX (DB NO.) | TEXTAR | E-MARK (E90) | SET / CARTON | | |
|----------------|--|--------|--|---|--|---|--|------------------------|----------------------------|--------------------------------------|-------------------------|-------------------|--------------|--------------|--|----|
| FPE011 | FRONT (PAD) | TOYOTA | CROWN | GBS12,GXS1(01.08-07.06) DBA-TSS10H(08.08-) | 04465-22040 04465-22060 | SP1060-F | HP5228 HP8248 HP8282 | 7320-D433 7320-D589 | 21318 21538 | GDB1026 GDB203 | DB1141 | | | 12 | | |
| | | | COMFORT | SXS11Y(96.04-01.08) GXS10,YXS1(95.12-97.01) YXS11Y,SXS(96.04-) GBS12,GXS1(01.08-) LXS11(95.12-97.01) LXS11Y(96.04-99.01) | 04465-22060 04465-22090 04465-22180 04465-22220 04465-43010 04465-43020 | | | | | | | | | | | |
| | | | CROWN COMFORT / TAXI | GXS10(95.01-96.01) SXS13Y(01.01-08.08) YXS10AE,LX(95.01-07.06) | 04465-43030 04465-YZ255 04491-22260 | | | | | | | | | | | |
| | | | CRESSIDA(EURO) | (89.01-92.10) | 04491-22270 04491-22280 | | | | | | | | | | | |
| | | | MARK II /CHASER / CRESTA | SX80, YX80, GX81(88.08-95.12) LX80(88.08-93.08) JZX81(90.08-93.12) MX83(88.08-93.02) | 04491-22290 04491-22310 04491-22311 04491-22330 | | | | | | | | | | | |
| | | | TACOMA(USA) | Pick-up TRUCK(04.01-06.12) | 04491-22331 04491-22340 04491-22350 | | | | | | | | | | | |
| | | MAZDA | LUCE | HCEP, HCFS(86.09-91.04) HC3S,HCSS(86.09-92.03) | 04491-35230 | | | | | | | | | | | |
| | | FPE012 | FRONT (PAD) | NISSAN | CREW | HK30,QK30,SK30,TSK30(93.07-96.09) THK30,YHK30(94.01-96.09) THK30,YHK30,SK30,TSK30(96.09-02.08) HK30,QK30(96.09-) | 41000-10G08 41060-05N90 | SP1140 | HP5058 HP8374 HP8440 | D1144-7433 D554-7433 7228-D333 | 21347 21348 21349 | GDB1017 GDB766 | DB438 | | | 12 |
| | | | | | CEDRIC / GLORIA | NJY31,TNJY31(87.06-91.06) TY31,Y31,CJY31,UY31,UY3,PAY31(87.06-02.08) CY31(89.06-99.08) CJY31(91.06-07.07) Y32,Y31(91.06-95.08) CMJY31,MJY31(98.06-02.08) | 41060-05N91 41060-05N92 41060-05N93 41060-05N94 | | | | | | | | | |
| | | | | | ATLAS CONDOR | SK2F23,SN2F23,SN4F23,SN6F23(95.06-99.06) SH2F23(99.06-02.06) SM6F23(92.10-95.06) SP2F23,SP4F23,SP6F23(99.06-04.08) | 41060-08N90 41060-08N91 41060-08N92 41060-08N93 | | | | | | | | | |
| CARAVAN / HOMY | KSE24,KSGE24(86.09-90.10) KHE24,KHGE24(86.09-95.08) DTGE24,FTGE24(92.10-93.05) CGE24,CTGE24,VTE24,VTGE24(92.10-99.06) VRMGE24,CRMGE24(87.10-92.10) | | | | 41060-09G90 41060-0H525 41060-17V90 41060-18V91 | | | | | | | | | | | |
| CIMA | FPAY31,FPY31(88.01-91.08) | | | | 41060-18V93 41060-23C90 | | | | | | | | | | | |
| DATSUN TRUCK | LPD22,PD22,DD2,LFMD22,BD22,LBD22,LRMD22 (97.01-02.08) LFD22(99.06-02.08) BMD21(92.08-97.01) | | | | 41060-40U90 41060-40U91 41060-40U92 | | | | | | | | | | | |
| FRONTIER | (98.01-06.06) | | | | 41060-40U93 | | | | | | | | | | | |
| KING CAB | D21(92.05-98.01) | | | | 41060-40U94 | | | | | | | | | | | |
| MISTRAL | KR20,R20(94.06-98.07) | | | | 41080-09G27 | | | | | | | | | | | |
| ISUZU | ELF | | | | ASK2F23,ASN2F23,ASN6F23(95.06-99.06) ASH2F23(99.06-07.06) ASP2F23,ASP6F23(99.06-04.05) | | | | | | | | | | | |
| | | FARGO | JVTGE24(96.08-99.06) JARE24,JARME24,JCRGE24,JVRGE24(95.08-97.05) JKRGE24,JKRME24,JFGE24(95.08-99.06) JKRGE24(99.06-01.05) JCWGE24,JVWE24,JVWGE24,JVWVGE24(96.08-99.06) | | | | | | | | | | | | | |
| FPE013 | FRONT (PAD) | TOYOTA | MARK II /CHASER / CRESTA | GX110,GX110W,JZX110,JZX110W(00.10-07.06) | 04465-30300 04465-30280 | SP1566 | | D1733-8957 | | | | | | 10 | | |
| | | | CROWN ESTATE | (01.01-03.01) | | | | | | | | | | | | |
| | | | CROWN | GS171,GS171W,JZS171,JZS171W,JZS175,JZS175W (99.09-03.012) JKS175(01.08-07.06) | | | | | | | | | | | | |
| | | | ALTEZZA | GXE10,SXE10,GXE10W,JCE10(01.05-05.07) | | | | | | | | | | | | |

| FRIXA CODE | POSITION | MAKER | REPRESENTATIVE MODEL | INTERCHANGEABLE | PARTS NO. | SP NO. | HP NO. | FMSI NO. | VVA NO. | TRW | BENDEX (DB NO.) | TEXTAR | E-MARK (E90) | SET / CARTON | |
|-------------------|--|------------|--------------------------|--|--|---------------------|------------------|------------|----------------|---------|-----------------|--------|--------------|--------------|----|
| FPE013 | FRONT (PAD) | TOYOTA | BREVIS | JCG10,JCG11(01.05-07.06) | 04465-30300 04465-30280 | SP1566 | | D1733-8957 | | | | | | 10 | |
| | | | MARK X | GRX120,GRX125,GRX121(04.11-) | | | | | | | | | | | |
| | | | PROGRES | JCG10,JCG11(01.04-07.06) | | | | | | | | | | | |
| | | | VEROSSA | GX110,JZX110(01.06-04.04) | | | | | | | | | | | |
| FPE014 | REAR (PAD) | TOYOTA | CROWN | GS171,GS171W,173W,JZS173,JZS171,JZS171W,JZS171,JZS171W,JZS175,JZS175W(99.09-03.12) JZS177,UZS171,175,UZS173(99.09-04.06) JKS175(01.08-07.06) | 04466-22180 04466-30120 04466-30121 04466-30150 04466-30151 04466-30161 04466-30170 04466-30190 04466-51010 04466-51020 | SP1554 | HP5083 | 7638-D771 | 21790 23429 | GDB3233 | DB1416 | | | | 20 |
| | | | PROGRES | JCG10,JCG15(98.05-07.06) JCG11(98.05-07.06) | | | | | | | | | | | |
| | | | ALTEZZA | GXE10,SXE10(98.10-05.07) GXE10W,JCE10,JCE10W,JCE15W(01.06-05.07) GXE15W(02.01-05.07) | | | | | | | | | | | |
| | | | ARISTO | JZS160/161(97.08-04.11) | | | | | | | | | | | |
| | | | BREVIS | JCG10,JCG11,JCG15(01.05-07.06) | | | | | | | | | | | |
| | | | CROWN ESTATE | (98.01-04.05) | | | | | | | | | | | |
| | | | MARK II /CHASER / CRESTA | GX115,GX115W,GX110,GX110W,JZX115,JZX115W,JZX110,JZX110W(00.10-07.06) | | | | | | | | | | | |
| | | | SOARER | UZZ4Q(01.04-05.07) | | | | | | | | | | | |
| | | | VEROSSA | GX110,GX115,JZX110(01.06-04.04) | | | | | | | | | | | |
| | | | FPE015 | FRONT (PAD) | | | | | | | | | | | |
| ATRAI | S200W,S210W(00.01-05.01) S220V,S230V(98.12-00.05) S220G,S230G(99.05-04.12) S221G,S231G(00.07-02.06) | | | | | | | | | | | | | | |
| HIJET GRAND CARGO | S221V,S231V(01.07-) | | | | | | | | | | | | | | |
| | | | | | | | | | | | | | | | |
| FPE016 | FRONT (PAD) | ISUZU | ELF | NKR66,NPR66,NKR71,NPR71,NPR72,NPR75(99.04-) NKR81(02.04-) NPR81(02.06-) NKR72(00.02-) NPS72L,NPS72PA(02.10-) | 8-97203209 8-97203209-0 | | | | | | | | | 0 | |
| | | | | | | | | | | | | | | | |
| FPE017 | FRONT (PAD) | MITSUBISHI | CANTER | FE70B,FE72B,FE71B,FE88D(04.04-) FE70C,FE71C,FE72C,FE73C,FE82C,FE83C,FE72E,FE78E, FE70E,FE71E,FE82E,FE83C,FE88E,FG70E,FG72E,FG82E, FG88E(02.05-04.08) FG70D,FG72D,FG82D,FG88D,FG70D,FE84D(04.07-) FE82D(02.06-) FE70D,FE71D,FE72D,FE78D(04.02-) | MK449107 MK529955 | MK529948 | | | | | | | | 6 | |
| | | | | | | | | | | | | | | | |
| FPE06 | FRONT (PAD) | NISSAN | PRIMERA | QP12(02.02-05.12) HNP11,HP11,WHNP11,WHP11(97.09-01.01) WTP12,WTP12,WTP12,WTNP12(01.01-07.12) WHP12,WTP12,TNP12,TP12(01.08-05.12) HP12,RP12(01.01-07.07) | 41060-0V090 41060-2Y090 41060-2Y091 41060-2Y990 41060-40U90 41060-40U92 41060-40U93 41060-40U95 41060-4L090 41060-5L725 41060-57790 41060-73L91 41060-73L92 41060-73L93 41060-75790 41060-88E90 41060-88E91 41060-88E92 | SP1107-FA SP1183 | HP8347 HP5140 | D815-8530 | 24280 24282 | GDB3390 | DB1485 | | | | 16 |
| | | | STAGEA | WHC34,WGC34(96.05-01.10) M35,NM35(01.10-02.04) HM35(01.10-04.08) | | | | | | | | | | | |
| | | | TEANA | J31,TNJ31,PJ31(03.02-08.06) | | | | | | | | | | | |
| | | | MAXIMA | E-J30(HJ30)(88.10-91.08) CA33(00.01-02.12) A33(01.01-03.12) | | | | | | | | | | | |
| | | | ALTIMA | (02.01-05.01) | | | | | | | | | | | |
| | | | CEDRIC / GLORIA | LNA31,RCA31,NA31(90.08-94.08) HA31,HCA31,LA31,RA31,RAC31(88.09-94.08) A32,A33,WA32(94.08-98.12) EA31,ECA31(92.06-94.08) | | | | | | | | | | | |
| VERSA | JC11,Hatchback(07.01-) | | | | | | | | | | | | | | |

FRIXA BRAKE SYSTEM OVERSEAS VEHICLES(PAD)



| FRIXA CODE | POSITION | MAKER | REPRESENTATIVE MODEL | INTERCHANGEABLE | PARTS NO. | SP NO. | HP NO. | FMSI NO. | WVA NO. | TRW | BENDEX (DB NO.) | TEXTAR | E-MARK (E90) | SET / CARTON | |
|------------|-------------|--------|-------------------------|---|---|--|---------------------|------------------|---------------------------------------|---|--|------------------|--------------|--------------|----|
| FPE06 | FRONT (PAD) | NISSAN | CUBE | DBA-Z12(10.03-) | 41060-88E94 41060-89A90 41060-8J090 | D1060-88E86 D1060-88E87 D1060-88E91 | SP1107-FA SP1183 | HP8347 HP5140 | D815-8530 | 24280 24281 24282 | GDB3390 | DB1485 | | 16 | |
| | | | FAIRLADY Z | VQ35DE(03.01-) | | | | | | | | | | | |
| | | | AVENIR | W11(98.08-05.09) VSW10(90.05-93.12) SW11(98.08-00.05) PNW11,PW11(98.08-02.08) RNW11,RW11(02.08-05.09) | | | | | | | | | | | |
| FPE018 | FRONT (PAD) | TOYOTA | HIACE REGIUS | (03.08-07.08) | 04465-26420 04465-26421 V9118-A102 | V9918-A102 | SP1376 | | D1434-8552 | 24680 | | | | 10 | |
| | | | HIACE | TRH200K,200V,TRH214W,219W,TRH221W,226W,TRH223W,228W,LH222,TRH224W,229W(04.08-) KDH200,205,220,225,222(04.08-07.09) TRH211K,216K,KDH201K,201V,KDH206K,206V,KDH211K,221K,KDH223B,228B(07.09-) | | | | | | | | | | | |
| FPE019 | FRONT (PAD) | TOYOTA | CAMRY / VISTA | ACA31,ACV31,MCV30(01.08-06.01) ACV35,ACV30(01.09-06.01) | 04465-30340 04465-33240 04465-33250 04465-33260 04465-33320 04465-33340 04465-44140 04465-68010 V9118-A090 | 04465-06030 04465-AZ010TM 04465-YZZDZ | SP2037 | HP5053 | D908-7787 D1052-7787 | 23806 23928 | GDB3314 GDB7224 | DB1462 | | 12 | |
| | | | CROWN | GRS180,181,GRS182(03.12-08.02) GRS200,201(08.02-) UZS186,UZS187(04.06-08.02) | | | | | | | | | | | |
| | | | MARK X | GRX120,GRX121(04.11-) | | | | | | | | | | | |
| | | | WISH | ZNE14G,ZNE10G,UJA-ZNE14G(03.01-08.01) ANE10G,ANE14G(03.04-08.01) CBA-ANE11W(04.01-09.04) | | | | | | | | | | | |
| | | | ISIS | ZNM10G(W),ANM10G(W),ANM15G(W)(04.09-) MHU28W(05.03-07.05) | | | | | | | | | | | |
| | | | | | | | | | | | | | | | |
| FPE020 | FRONT (PAD) | TOYOTA | CROWN | GRS180,GRS182(03.12-) GS171,GS171W,JZS171,JZS171W,JZS175,JZS175W(99.09-03.12) JKS175(01.08-07.06) | 04465-13030 04465-1A010 04465-20500 04465-20540 04465-20570 04465-21030 04465-28010 04465-28030 04465-28040 04465-30280 04465-30300 04465-30330 04465-32191 04465-32220 V9118-A077 | 04465-30480 | SP1272 | HP5201 | D817-7691 | 23526 23864 | GDB3316 | DB1431 | | 10 | |
| | | | MARK X | GRX120,GRX125,GRX121(04.11-) | | | | | | | | | | | |
| | | | ALTEZZA | GXE10,SXE10(01.05-05.07) GXE10W,JCE10(01.06-05.07) | | | | | | | | | | | |
| | | | BREVIS | JCG10,JCG11(01.05-07.06) | | | | | | | | | | | |
| | | | MARK II /CHASER /CRESTA | GX110,GX110W,JZX110,JZX110W(00.10-07.06) | | | | | | | | | | | |
| | | | | GX110,JZX110(01.06-04.04) | | | | | | | | | | | |
| FPE021 | FRONT (PAD) | HONDA | ODYSSEY | RA6,RA7(99.12-03.10) RB1,RB2(03.10-08.10) RA8,RA9(00.01-03.10) DBA-RB3,DBA-RB4(08.10-) | 45022-S0A-J20 06450-SOK-J01 45022-SOK-A00 06450-SOK-J02 45022-SOK-A01 06450-S3N-J00 45022-SOK-A11 06450-S7A-D01 45022-S3N-000 06450-S7A-E00 45022-S3V-A11 06450-S7A-E50 45022-SFE-E50 06450-S7A-N00 45022-S7A-N00 06450-SDD-A00 45022-SAA-G00 06450-SDD-A10 45022-SDB-A10 06450-SEA-J00 45022-SDD-A00 06450-SEA-J01 45022-SDD-A10 06450-SEA-J10 45022-SEA-J00 06450-SEP-A00 45022-SEA-J01 06450-SFE-J10 45022-SEA-J11 06450-SFE-J20 45022-SEP-A01 06450-SJK-010 45022-SEP-H00 06450-SNB-000 45022-SFE-J10 | 06450-SOK-J01 06450-SOK-J02 06450-S3N-J00 06450-S7A-D01 06450-S7A-E00 06450-S7A-E50 06450-S7A-N00 06450-SDD-A00 06450-SDD-A10 06450-SEA-J00 06450-SEA-J01 06450-SEA-J10 06450-SEP-A00 06450-SFE-J10 06450-SFE-J20 06450-SJK-010 06450-SNB-000 H4502-SDD-000 | SP2012 (SP2012A) | HP5085 HP8145 | D959-7857 D1276-8392 D1608-8329 | 23722 23729 24053 24054 24055 | GDB3240 GDB3268 GDB7182 GDB7634 | DB1393 DB1515 | | O | 16 |
| | | | ACCORD | CL8,CL7(02.10-) CL1(00.06-02.10) CL9(02.10-08.12) CD5,CD6(99.11-02.10) CM2,CM3(02.11-) CU2,CW2(08.12-) | | | | | | | | | | | |
| | | | AVANCIER | TA2(99.09-03.07) TA4(00.02-03.07) | | | | | | | | | | | |
| | | | CIVIC | VIII(05.09-) DBA-FD1(05.09-09.12) DBA-FD2(06.04-09.12) | | | | | | | | | | | |
| | | | CROSSROAD | DBA-RT1,DBA-RT2,DBA-RT3,RT4(07.02-) | | | | | | | | | | | |
| | | | EDIX | BE3,BE4(04.07-06.12) DBA-BE3(04.01-06.12) DBA-BE8(06.12-) | | | | | | | | | | | |
| | | | INSPIRE/VIGOR/SABER | UC1(03.06-07.12) UA5(98.10-03.06) CP3(07.12-) | | | | | | | | | | | |
| | | | INTEGRA | DC5(04.09-) | | | | | | | | | | | |
| | | | LEGEND | KA9(98.10-04.10) | | | | | | | | | | | |
| | | | STEP WAGON | RG1,RG2,RG3,RG4(05.05-) | | | | | | | | | | | |
| | | | | | | | | | | | | | | | |

| FRIXA CODE | POSITION | MAKER | REPRESENTATIVE MODEL | INTERCHANGEABLE | PARTS NO. | SP NO. | HP NO. | FMSI NO. | WVA NO. | TRW | BENDEX (DB NO.) | TEXTAR | E-MARK (E90) | SET / CARTON |
|------------|-------------|---------|--------------------------|--|--|--------------------------------------|--------------------------|---------------------------------------|---|--|------------------|--------------------|--------------|--------------|
| FPE021 | FRONT (PAD) | HONDA | STREAM | RN1(03.09-06.07) RN7,RN6,RN8,RN9(06.07-) RN3(00.10-06.07) RN4(01.01-06.07) RN5(03.12-06.07) | 04465-48100 | SP2012 (SP2012A) | HP5085 HP8145 | D959-7857 D1276-8392 D1608-8329 | 23722 23729 24053 24054 24055 | GDB3240 GDB3268 GDB7182 GDB7634 | DB1393 DB1515 | | O | 16 |
| | | | TORNEO | CL1(00.06-02.10) | | | | | | | | | | |
| FPE022 | FRONT (PAD) | TOYOTA | HARRIER | ACU30W,ACU35W(03.02-06.01) MCU30W,MCU35W,MCU31W,MCU36W(03.02-06.06) MCU38W(05.03-09.04) GSU30W,35W,GSU31W,36W(06.01-) | 04465-48100 | SP1456 | HP5166 | D1005-7906 | 23734 | GDB3338 GDB3397 | DB1517 | | | 16 |
| | | | RX300 | MCU35,MCU38(03.04-09.12) | | | | | | | | | | |
| | | RX330 | MCV/GSU(04.01-06.01) | | | | | | | | | | | |
| | | RX350 | MCV,GSU,GYL(07.01-09.12) | | | | | | | | | | | |
| FPE023 | FRONT (PAD) | PEUGEOT | 405 | MHU33/38(06.01-08.12) GLV10/15,16W(09.01-10.12) | 425055 4250.95 4251.07 95666894 | SP1180 | HP5055 | D454-7334 | 21208 21209 21210 23169 23170 | GDB793 GDB1039 GDB1051 | DB1258 | | O | 12 |
| | | | | | | | | | | | | | | |
| FPE024 | FRONT (PAD) | PEUGEOT | 206 1.4 | 4252.12 4252.28 4253.02 4253.03 4253.20 | 4254.94 | SP1179 | HP5047 HP8386 | D1143-8254 | 23597 23598 | GDB1361 GDB1500 | | 2359703 | O | 12 |
| FPE024N | FRONT (PAD) | PEUGEOT | 206 1.6 | 4252.18 | 16 112 939 80 16 122 939 80 4252.40 4253.30 4253.42 4254.23 4254.75 16 104 896 80 | SP1241 | HP5272 HP8089 | D1213-8333 | 23599 23954 24101 | | | 2395401 2410101 | O | 12 |
| | | | | | | | | | | | | | | |
| FPE024NR | REAR (PAD) | PEUGEOT | 206 1.6 | 4250.42 4251.04 4251.46 4251.48 4251.96 4251.97 4252.71 95 659 341 95 666 671 95 666 971 4250.42 4251.04 4251.46 4251.48 4251.96 4251.97 4252.71 | SP1242 SP1812 | HP5273 HP8384 HP8398 HP8408 | D1458-8658 D1482-8658 | 20973 20974 20634 | | | 2097401 | | O | 16 |
| | | | | | | | | | | | | | | |

FRIXA BRAKE SYSTEM OVERSEAS VEHICLES(PAD)



| FRIXA CODE | POSITION | MAKER | REPRESENTATIVE MODEL | INTERCHANGEABLE | PARTS NO. | SP NO. | HP NO. | FMSI NO. | WVA NO. | TRW | BENDEX (DB NO.) | TEXTAR | E-MARK (E90) | SET / CARTON |
|------------|-----------------------------|------------|--|--|---|------------------|--------------------------------------|-------------------------------------|-------------------------|---------|-----------------|---------|--------------|--------------|
| FPE 024NR | REAR (PAD) | PEUGEOT | 206 1.6 | | 95 659 341 95 666 671 96 666 971 77 01 202 050 77 01 202 210 77 01 202 308 77 01 202 662 77 01 2 | SP1242 SP1812 | HP5273 HP8384 HP8398 HP8408 | D1458-8658 D1482-8658 | 20973 20974 20634 | | | 2097401 | ○ | 16 |
| FPE025 | FRONT (PAD) | NISSAN | VANETTE | SK82LN(MN,TN,VN)(99.06-04.03) SK82LN(TN,VN),SKF2LN(MN,TN,VN)(04.03-) SKF2LN(MN,TN,VN)(03.12-04.03) S21(03.03-) SK22LN(MN,TN,VN)(99.06-03.12) | 41060-HA025 41060-HA026 41060-HA027 41060-HA028 | SP2075 | HP5134 HP8264 | 7791-D867 7429-D550 7742-D867 | 23288 24066 | GDB3246 | | 2348801 | ○ | 10 |
| | | | | MAZDA | BONGO | | | | | | | | | |
| | | MITSUBISHI | CHALLENGER | NA4W(03.05-) | AV040-MA010 LAV3-33-28Z MR510619 | | | | | | | | | |
| | | | GRANDIS | DBA-NA4W(03.01-05.05) | S4YP-33-23Z S4YP-33-23ZA S4YP-33-28Z S4YP-33-28ZA | | | | | | | | | |
| | | | PAJERO | ADC-V98W(06.10-) KH-V68W,TA-V65W(00.08-05.11) | MN116445 MQ908292 MR407422 MR510539 MR527868 MR977345 MZ690340 X3511011 41060HA025 41060HA027 | | | | | | | | | |
| PROUDIA | S32A,S33A,S43A(00.02-01.05) | | | | | | | | | | | | | |
| FPE026 | FRONT (PAD) | DAIHATSU | HIJET | S100C,S110C,S100P,S110P(94.01-98.12) | 04491-87506-000 | | | | | | GDB7022 | | | 16 |
| FPE027 | FRONT (PAD) | SUBARU | SAMBAR | TT1,TT2,TV1,TV2,TW1,TW2(99.01-04.08) | 26296-C001 26296-C020 26296-C030 | | | | | | | | | 0 |
| | | | | SUZUKI | | | | | | | | | | |
| | | CULTUS | SF310AA,SF310MA(98.04-01.01) SF413MA(98.04-01.05) | | | | | | | | | | | |
| FPE028 | FRONT (PAD) | HONDA | LIFE | JA4(97.05-98.10) JB1,JB2(98.10-03.09) JB5,JB6(03.09-) | 45022-SJ6-010 45022-SJ6-020 45022-S3A-000 45022-SJ6-030 45022-SJ6-040 45022-SJ6-050 45022-SJ6-060 45022-SJ6-070 45022-SJ6-080 45022-SJ6-090 45022-SJ6-100 45022-SJ6-110 45022-SJ6-120 45022-SJ6-130 45022-SJ6-140 45022-SJ6-150 45022-SJ6-160 45022-SJ6-170 45022-SJ6-180 45022-SJ6-190 45022-SJ6-200 | SP1609 | | | | | | | | 12 |
| | | | | ACTY | HA1,HA2,HH1,HH2(88.05-90.02) HH3,HH4,HA3(90.02-99.06) HA4,HA5(90.02-99.07) HA6,HA7(99.05-) HH5,HH6(99.06-) | | | | | | | | | |
| | | | VAMOS | | HM1,HM2(99.05-03.04) HJ1,HJ2,HM3,HM4(03.04-) | | | | | | | | | |
| | | | | | | | | | | | | | | |
| | | | | | | | | | | | | | | |
| FPE029 | FRONT (PAD) | SUZUKI | ALTO | HA12S,HA12V(98.10-00.12) HA22S(98.10-02.04) HA23S(00.12-04.09) HA23V(00.12-05.01) HE21S(02.05-05.01) HA24S(04.09-09.12) HA24V(05.01-09.12) | 26296-KG000 41060-4A0A2 4605A340 55810-5BJ00 55810-74G00 55810-74G03 55810-76G00 55810-76G01 55810-76G02 | SP1592 | | D1225-8344 | 24423 | | | ○ | 12 | |
| | | | | KEI | HN11S(98.10-01.04) HN21S,22S(98.10-03.04) HN22S(01.04-) | | | | | | | | | |

| FRIXA CODE | POSITION | MAKER | REPRESENTATIVE MODEL | INTERCHANGEABLE | PARTS NO. | SP NO. | HP NO. | FMSI NO. | WVA NO. | TRW | BENDEX (DB NO.) | TEXTAR | E-MARK (E90) | SET / CARTON | |
|------------|-------------|--------|----------------------|---|---|---|--|------------|-----------|-------------------------|--|--|--------------|--------------|----|
| FPE029 | FRONT (PAD) | SUZUKI | WAGON R | MC11S/12S(98.10-00.12) MC21S/22S/MF21S(98.10-03.12) MH21S(03.09-05.09) | 55810-76G03 AY040-KE121 | SP1592 | | D1225-8344 | 24423 | | | | ○ | 12 | |
| FPE030 | FRONT (PAD) | HONDA | ACCORD | CE7(96.01-98.12) CC7,CE8(93.01-98.12) CF4,CF5(97.08-02.10) CL3(00.06-02.10) CE2(94.01-97.10) CD9(95.01-98.12) CG4(98.01-02.10) CB8,CB9,CE1(90.01-98.12) CD6(93.09-97.09) CE9(96.01-98.12) CH1(98.10-02.12) CG2(98.01-03.06) CD7,CD8(94.02-96.12) CF2(96.08-97.0) | 06450-S0A-J00 06450-S0K-J11 06450-S7S-000 06450-S87-A00 45022-S00-G10 45022-S0A-J02 45022-S10-A00 45022-S10-A01 45022-S10-A02 45022-S10-G00 45022-S10-G01 45022-S10-G02 45022-S1A-E20 | 45022-SL0-G00 45022-SL0-G01 45022-SL0-G02 45022-SL0-J02 45022-SL0-N10 45022-SLR-G01 45022-SLR-G02 45022-SM5-305 45022-SM5-525 45022-SM5-A00 45022-SM7-G50 45022-SP0-010 45022-SP0-506 | SP1076-F | HP5009 | D503-7382 | 21651 21652 21653 | GDB1062 GDB3177 GDB3188 GDB3196 GDB995 | DB1206 | | ○ | 16 |
| | | | | ODYSSEY | RA1,RA2(94.09-97.09) RA3,RA4(97.07-99.12) RA5(97.10-00.01) | 45022-S2H-J00 45022-S30-A00 45022-S30-A01 45022-S30-A02 45022-S47-000 450 | | | | | | | | | |
| | | | | | STEP WAGON | RF1,RF2(96.04-01.04) RF3,RF4(01.04-05.10) RF5,RF6,RF7,RF8(03.06-05.05) | | | | | | | | | |
| FPE031 | FRONT (PAD) | ISUZU | ELF | NKR69,WKR69(93.07-99.04) NHR69,NHS69,NKR(99.05-02.05) NHR69M,NHR69E,NHR69MA,NHR69(02.06-04.05) NHR69EV(03.08-) NHR69(N)(04.05-) NKR69EA, NHS69EA, NKR81EA, NKR81LAR(02.6-) VKR66K(96.11-02.05) NHS69EA(03.08-06.12) NHS69A(04.05-06.12) NKR58,NKR63,NKR66,VK | 8-97078409 8-97078409-2 8-97172427 8-97226103 8-97318894 8-97368980-0 8-97368980 | 4106089TA2 4106089TA6 4106089TB9 | | | | | | | 6 | | |
| | | | | ODYSSEY | RA1,RA2(94.09-97.09) RA3,RA4(97.07-99.12) RA5(97.10-00.01) RA6,RA7(99.12-03.10) RA8,RA9(00.01-03.10) | 06430-S0A-J00 06430-S0K-J01 06430-S2A-000 06430-S2X-J00 06430-S3N-J00 06430-S5A-J00 06430-S60-000 06430-S7A-J00 06430-S7S-000 43022-SED-000 43022-SG0-020 43022-SJF-000 43022-SJF-E00 43022-SL5-000 43022-SL5-505 | 43022-SL5-525 43022-SM4-505 43022-SM4-515 43022-SM4-525 43022-SM4-950 43022-SM4-G00 43022-SN7-000 43022-SP0-000 43022-SF0-010 43022-SV4-A22 43022-SV4-G00 43022-SX0-A50 43022-SX0-A52 43022-SY8-A00 43022-SY8-A01 43022-TL0-050 43022-S2A-000 43022-SG0-G01 | SP1076R | HP5164 | D536-7418 | 23652 23653 23736 | GDB1063 GDB3154 GDB3175 GDB3191 GDB3269 GDB3438 GDB774 | DB1230 | ○ | 16 |
| FPE036 | FRONT (PAD) | SUZUKI | WAGON R | | CT21S,CV21S(95.10-98.10) CT51S,CV51S(97.04-98.10) | 55810-60FA0 55810-60FA1 55810-60FA3 | | | | | | GDB7125 | | 12 | |
| | | | ALTO | HA11S,HB11S,HC11V,HD11V(94.11-98.09) CN22S,CP22S(97.05-98.06) | | | | | | | | | | | |
| FPE037 | FRONT (PAD) | TOYOTA | VITZ | NCP91(05.02-) | 04465-52190 04465-52240 04465-52270 | SP1588 | | D1628-8845 | 24708 | GDB3460 | | | | 12 | |
| | | | VERTA | SCP92(05.11-) | | | | | | | | | | | |
| | | | YARIS | NCP93(06.01-) | | | | | | | | | | | |
| | | | | SCP100,NCP100,NCP105(05.10-) | | | | | | | | | | | |

FRIXA BRAKE SYSTEM OVERSEAS VEHICLES(PAD)



| FRIXA CODE | POSITION | MAKER | REPRESENTATIVE MODEL | INTERCHANGEABLE | PARTS NO. | SP NO. | HP NO. | FMSI NO. | WVA NO. | TRW | BENDEX (DB NO.) | TEXTAR | E-MARK (E90) | SET / CARTON | | |
|-------------|-------------|-------------|----------------------|---|--|----------------------------|------------------|-------------------------------------|---|-------------------------------|------------------|---------|--------------|--------------|--------------------------------|---------------------------|
| FPE038 | FRONT (PAD) | NISSAN | SERENA | C25,NC23(05.05-06.06) CC25,CNC25(06.06-) C25(05.05-) | 41060-EA025 41060-EB326 41060-ZP025 AY040-NS130 AY040-NS137 | SP1460 | HP5173 | 8200-D1094 | 24227 24228 | GDB3404 | | | | 12 | | |
| | | | NAVARA | D40(06.10-09.11) | 41060-ZP00B D1060-ZP00C DA060-EB326 55210-82Z00 | | | | | | | | | | | |
| FPE039 | REAR (PAD) | TOYOTA | VITZ | NCP91(05.02-) | 04466-12130 04466-12190 04466-47020 04466-52070 04466-52110 04466-52120 | SP2094 | HP5181 | D1354-8463 D1423-8463 | 24610 24611 24612 | GDB3454 | | | | ○ | 12 | |
| | | | VERTA | SCP92(05.11-) | | | | | | | | | | | | 04466-52130 |
| | | | COROLLA | | | | | | | | | | | | | 04466-52140 |
| | | | RACTIS | NCP100(05.10-) | | | | | | | | | | | | 04466-52150 |
| | | | AURIS | NZE151H,NZE154H,ZRE152H,ZRE154(06.10-) DBA-ZRE152H(09.05-) | | | | | | | | | | | | V9118-B037 04466-02210 |
| FPE040 | REAR (PAD) | HONDA | STEP WAGON | RG1,RG2,RG3,RG4(05.05-) | 06430-SFE-J00 43022-SFE-000 43022-SFE-N00 43022-SYP-000 | SP2104 | | | | | | | | 12 | | |
| | | | STREAM | RN6,RN7,RN8,RN9(06.07-) | | | | | | | | | | | 06430-SFE-N00 | |
| | | | ODYSSEY | RB1,RB2(03.10-08.10) DBA-RB3,DBA-RB4(08.10-) | | | | | | | | | | | 06430-SLJ-000 43022-SMA-000 | |
| | | | ELYSION | RR1,RR2,DBA-RR3,RR4(04.05-) RR5,RR6(07.01-) | | | | | | | | | | | | |
| FPE041 | FRONT (PAD) | MITSUBISHI | LANCER | C61A,C62V,C74A,C64A(98.09-91.10) C11V,C12V,C12W,C72A,C32V,C14V,C14W,C34V,C34W, C37W(98.10-92.09) CB1A,CC3A,CD3A,CB2A,CB3A(91.10-95.10) CK1A(96.09-00.05) CM8A,CK8A(95.08-99.06) CK/P_A, CK4A(95.01-03.01) | 04491-87401 MB689463 MB888991 MB928461 MB928462 MB928463 MB928817 | SP1142 | HP5013 HP8224 | D535-7417 D602-7482 | 21650 | GDB1129 GDB3046 GDB3214 | DB1277 DB1201 | 2165001 | ○ | 10 | | |
| FPE042 | FRONT (PAD) | MITSUBISHI | LANCER | | MN102878 MN116604 MR568224 MR568225 | SP1255 | HP5183 | D904-7782 | 24291 | | DB1455 | | ○ | 10 | | |
| FPE043 | FRONT (PAD) | TOYOTA | COROLLA | NZE120,NZE121,NZE121G,NZE124,NZE124G,ZZE122(G),124(G),ZZE122(00.08-06.01) ZZE120(01.11-02.07) ZZE121(01.11-) CE121G,CE121(00.08-04.01) | 04465-00020 04465-0W050 04465-0W080 04465-12580 04465-12581 04465-12590 04465-12591 04465-12592 04465-13020 04465-13040 04465-13041 04465-17100 04465-17101 04465-17102 04465-17140 04465-20480 04465-32210 04465-32230 04465-47030 04465-47050 | SP1232 SP1244 SP2016 | HP5019 HP8487 | D822-7695 D846-7722 D990-7695 | 23510 23511 23512 23904 23905 23906 23907 | GDB3242 GDB3317 GDB7709 | DB1422 | | ○ | 16 | | |
| | | | | PRIUS | 04465-52010 | | | | | | | | | | | |
| | | | | | 04465-52011 | | | | | | | | | | | |
| | | | | | 04465-52021 | | | | | | | | | | | |
| | | | | | 04465-52022 | | | | | | | | | | | |
| | | 04465-52060 | | | | | | | | | | | | | | |
| | | | 04465-52100 | | | | | | | | | | | | | |
| | | | 04465-52110 | | | | | | | | | | | | | |
| | | | 04465-52120 | | | | | | | | | | | | | |
| | | | 04465-52170 | | | | | | | | | | | | | |
| 04465-52220 | | | | | | | | | | | | | | | | |
| FPE044 | FRONT (PAD) | TOYOTA | COROLLA | NZE141(06.01-08.01) NZE141G(06.01-) ZRE142(G),144(G)(06.01-) | 04465-02220 04465-12610 04465-42160 | SP2093 | HP5176 | D1210-8330 | 24336 | GDB3425 | DB1802 | | ○ | 10 | | |

| FRIXA CODE | POSITION | MAKER | REPRESENTATIVE MODEL | INTERCHANGEABLE | PARTS NO. | SP NO. | HP NO. | FMSI NO. | WVA NO. | TRW | BENDEX (DB NO.) | TEXTAR | E-MARK (E90) | SET / CARTON | |
|------------|-------------|--------|----------------------|---|---|--------|------------------|--|-------------------------|-------------------------------|-----------------|---------|--------------|--------------|---|
| FPE047 | FRONT (PAD) | SUZUKI | CERVO | HG21S(06.11-) | 55810-68H00 55810-72J00 55810-72J10 | SP1548 | | | | | | | | 12 | |
| | | | EVERY | DA64V,DA64W(05.08-) | | | | | | | | | | | 1A153323Z 1A163323Z |
| | | | KEI | HN22S(01.04-03.09) CBA-HN22S(04.12-09.10) | | | | | | | | | | | |
| | | | CARRY | DA63T,DA65T(05.12-) | | | | | | | | | | | |
| FPE048 | FRONT (PAD) | TOYOTA | COROLLA | CBA-ZZE122(04.02-06.01) ZZE120(02.06-) | 04465-02070 04465-02080 04465-44050 04465-44060 04465-44090 04465-44100 | SP1373 | HP5097 | D923-7824 | 23836 23862 | GDB3315 | DB1487 | | | 10 | |
| | | | AVENSIS | CTD225(01.05-02.11) | | | | | | | | | | | AY040-TY062 V9118-A088 88972092 88972096 04465-YZZCT |
| | | | MATRIX | (04.01-) | | | | | | | | | | | |
| | | | | | | | | | | | | | | | |
| FPE053 | FRONT (PAD) | HONDA | LIFE | | 45022-SFC-000 | | | | | | | | | 0 | |
| FPE057 | FRONT (PAD) | HONDA | CIVIC | CAPA HATCHBACK CIVIC COUPE CIVIC PRO CR-X DOMANI FIT ARIA INTEGRA LOGO ORTHIA CITY SEDAN | 45022-S04-000 45022-S04-010 45022-S04-020 45022-S04-505 45022-S04-602 45022-S04-A00 45022-S04-G00 45022-S04-G01 45022-S04-G02 45022-S04-J00 45022-S04-J01 45022-S04-J02 45022-S07-000 45022-S07-010 45022-S07-020 45022-S07-030 45022-S2G-000 45022-S7H-000 | SP2032 | HP5040 | D1643-8870 | 21697 21698 21699 | GDB1164 GDB3176 GDB3212 | DB1262 | 2169701 | ○ | 10 | |
| | | | | ISUZU | GEMINI | | | | | | | | | | 06450-S2G-J01 06450-S5A-010 06450-S7H-000 06450-SAA-900 06450-SAA-901 06450-SAA-906 06450-SEL-T00 |
| FPE058 | FRONT (PAD) | TOYOTA | COROLLA | CAMRY | 04491-16080 04491-16111 04491-16130 04491-16132 04491-16150 04491-16161 04491-17010 04491-17031 04491-17060 04491-17060 04491-17070 04491-20170 04491-20170 04491-20191 04491-32030 04491-32041 04491-32041 04491-32050 04491-32080 04491-32102 04491-32110 04491-32140 94847262 04465-10040 04465- | SP1105 | HP5020 HP8510 | 7152-D241 7153-D242 7420-D302 D539-7420 | 20870 21294 | GDB3184 GDB323 | DB308 | | 16 | | |
| FPE060 | FRONT (PAD) | TOYOTA | COROLLA 2009 | NZE141(06.01-08.01) NZE141G(06.01-) ZRE142(G),144(G)(06.01-) | 04465-02220 04465-12610 04465-42160 | SP2093 | HP5176 | D1210-8330 | 24336 | GDB3425 | DB1802 | | ○ | 10 | |

FRIXA BRAKE SYSTEM OVERSEAS VEHICLES(PAD)



| FRIXA CODE | POSITION | MAKER | REPRESENTATIVE MODEL | INTERCHANGEABLE | PARTS NO. | SP NO. | HP NO. | FMSI NO. | WVA NO. | TRW | BENDEX (DB NO.) | TEXTAR | E-MARK (E90) | SET / CARTON |
|------------|-------------|--------|----------------------|--|---|--------|------------------|-------------------------------------|----------------------------------|-------------------------------|-----------------|--------|--------------|--------------|
| FPE062 | FRONT (PAD) | SUZUKI | CULTUS | AA44S,AB44S(88.09-98.06) AB34S,AF34S,AA34S,AB34S(88.09-00.05) | 55200-61832 55200-62850 55200-62851 55200-62852 55210-60B50 55210-62850 | | | | 21730 | GDB3237 | | | | 16 |
| FPE064 | REAR (PAD) | TOYOTA | COROLLA REAR | ZZE120(02.01-06.10) ZZE121,CDE120(01.11-) ZZE122,123(G)(00.08-06.01) ZRE142,144(06.10-) | 04466-20090 04466-52010 04466-52020 04466-52030 04466-52040 | SP2044 | HP5153 | D823-7696 | 23521 23522 23523 | GDB3243 | 1429 | | ○ | 20 |
| FPE079 | FRONT (PAD) | NISSAN | SUNNY(1992-1995) | 100NX, AD VAN, MARCH, PRESEA, PULSAR | 41060-50Y90 41060-50Y91 41060-50Y93 41060-50Y94 41060-50Y94 41060-60R90 41060-60R91 41060-60Y91 41060-60Y94 41060-62C90 41060-63C90 41060-63Y90 41060-72B25 | SP1489 | HP5067 | D510-7389 | 21657 21658 21659 | GDB1012 GDB1170 | 1210 | | | 16 |
| FPE080 | FRONT (PAD) | NISSAN | SUNNY(1996-2000) | ALMERA, CUBE, HYPER MINI, PRESEA, PULSAR, RASHEEN, WINGROAD | 41060-0M890 41060-0M891 41060-0M893 41060-1N025 41060-1N060 41060-1N090 41060-1N890 | SP1122 | HP5014 HP8328 | D668-7546 | 23796 23004 23005 23006 | GDB3156 GDB3180 GDB3275 | 1302 | | | 16 |
| FPE082 | FRONT (PAD) | HONDA | CIVIC(1995-2000) | | 45022-SH3-G10 45022-SH3-G11 45022-SH3-G12 45022-SH3-G13 45022-SH3-G14 45022-SAG-600 45022-SAG-600 45022-SR2-980 45022-SR3-L02 45022-SH1-505 45022-SH1-L50 45022-SH3-A00 45022-SH3-A01 45022-SH3-A02 45022-SH3-A03 | SP1427 | HP5056 HP8160 | D474-7355 D273-7178 D560-7439 | 21330 21331 21332 | GDB764 | 390 1259 | | | 16 |

| FRIXA CODE | POSITION | MAKER | REPRESENTATIVE MODEL | INTERCHANGEABLE | PARTS NO. | SP NO. | HP NO. | FMSI NO. | WVA NO. | TRW | BENDEX (DB NO.) | TEXTAR | E-MARK (E90) | SET / CARTON | | |
|------------|-------------|--------|---------------------------|---|--|--------|--------|------------|----------------------------------|-------------------|-----------------|--------|--------------|--------------|--|----|
| FPE083 | FRONT (PAD) | HONDA | CIVIC(2001-2006) | DOMANI, EDIX, FREED, INTEGRA, MOBILIO, STREAM | 06450-S5A-J00 06450-S5B-J00 06450-S7A-J00 45022-S04-E60 45022-S04-V00 45022-S04-V01 45022-S04-V02 45022-S04-V10 45022-S04-V11 45022-S04-V12 45022-TG0-T00 45022-S04-408 45022-S04-V10 45022-S04-V11 45022-S04-V12 45022-S5A-J00 45022-S5B-J00 45022-S7A-000 | | | | | | | | | | | 12 |
| FPE084 | FRONT (PAD) | HONDA | CIVIC(2007-) | ACCORD IV | 45022-S9A-000 45022-S10-000 45022-S10-020 45022-SM4-A00 45022-SM4-A02 45022-SNE-A00 D5080 | | | | | | | | | 16 | | |
| FPE087 | FRONT (PAD) | TOYOTA | COROLLA 09MY(Fr) AURIS | (07.01-) 4ZZFE-HTWC,1ZRFE-HTWC,DBA-ZRE154H-BHXEK(07.03-) DBA-ZRE152H(09.05-) | 04465-02160 04465-02200 04465-02210 04465-02270 | SP1500 | HP5182 | D1571-8780 | 24121 24122 24590 24591 | GDB3481 | | | ○ | 12 | | |
| FPE088 | REAR (PAD) | TOYOTA | COROLLA 09MY(Fr) AURIS | (07.01-) 4ZZFE-HTWC,1ZRFE-HTWC,DBA-ZRE154H-BHXEK(07.03-) DBA-ZRE152H(09.05-) | 04466-02170 04466-02180 04466-02190 | SP1501 | | D1501-8781 | 24664 24665 24666 | | | | ○ | 16 | | |
| FPE089 | REAR (PAD) | TOYOTA | AVENSIS ESTIMA | ZZT250,ZZT251(03.03-08.01) CDT250,AZT250,AZT255,AZT250W,255W(03.10-08.01) ADT225,AZT251(W)(05.06-08.01) AHR20W,GSR50W,55W,DBA-GSR55W(06.01-) DAA-AHR20W(06.06-) | 04466-05010 04466-05020 04466-28110 04466-58010 | SP2184 | | | 23620 23621 23622 | GDB3337 | | | | 16 | | |
| FPE090 | FRONT (PAD) | TOYOTA | COROLLA | NZE120,NZE121,NZE121G,NZE124,NZE124G,ZZE122(G),124(G),ZZE122(00.08-06.01) ZZE120(01.11-02.07) ZZE121(01.11-) CE121G,CE121(00.08-04.01) | 04465-52230 04465-52210 04465-52220 | | | D1249-8367 | | | | | | 16 | | |
| FPE091 | FRONT (PAD) | TOYOTA | ALPHARD ESTIMA | ANH20W,25W,GGH20W,25W(08.05-) ACR50W,ACR55W,AHR20W,GSR50W,55W(06.01-) DAA-AHR20W(06.06-) | 04465-28520 AY040-TY083 V9118-A106 | SP2183 | | D1524-8732 | 24601 | | | | | 16 | | |
| FPE092 | FRONT (PAD) | SUZUKI | SWIFT | ZC71S(07.05-) ZC11S,ZC21S,ZD11S,ZD21S(04.11-) ZC31S(05.09-) | 55810-57K00 55810-63J00 55810-63J01 | SP2086 | | D1614-8827 | 23962 23963 25181 | | | | | 10 | | |
| FPE096 | FRONT (PAD) | SUZUKI | JIMNY | SJ30(84.07-87.12) JA71C,JA71V(86.01-90.03) JA11C,JA11V(90.03-95.10) JA12C,JA12V,JA12W,JA22W(95.11-98.10) JB23W(98.10-03.09) JA51V,JA5C,JA51W(84.11-90.05) JB31W/32W(93.05-97.12) JB33W/43W(98.01-00.04) SN413V(98.08-) JB43W(02.01-) | 55110-80000 55110-80001 55110-80020 55200-70810 55200-70811 55200-70812 55200-70A40 55200-81A10 55200-81A31 | SP1540 | HP8448 | 7540-D660 | 21142 | GDB3210 GDB383 | | | | 12 | | |

FRIXA BRAKE SYSTEM OVERSEAS VEHICLES(PAD)



| FRIXA CODE | POSITION | MAKER | REPRESENTATIVE MODEL | INTERCHANGEABLE | PARTS NO. | SP NO. | HP NO. | FMSI NO. | VVA NO. | TRW | BENDEX (DB NO.) | TEXTAR | E-MARK (E90) | SET / CARTON |
|------------|-------------|---------------|-------------------------------|--|--|--------|------------------|--|----------------------------------|--|-----------------|-------------------------------|--------------|--------------|
| FPE097 | REAR (PAD) | TOYOTA | ESTIMA | CXR10G,11G,20G,21G,TCR20G(W),21VW(93.08-95.01) CXR11G,CXR21G(94.05-96.08) CXR20G,21G,CXR10G,11G(96.08-99.12) | 04466-28010 04466-28011 04466-28020 04466-28090 04466-28210 04492-28010 04492-28020 04492-28090 04492-28210 04495-28020 | SP2036 | HP5124 | D501-7381 | 21688 | GDB1138 | | | | 16 |
| FPE098 | FRONT (PAD) | SUBARU | IMPREZA LEGACY FORESTER | GF8,GC8(96.09-00.07) G11GD, GC(01.03-02.10) BG5(96.06-98.11) BH5,BH9(98.06-03.04) B12BE5C,B12BH5C(00.08-03.08) BE9(01.05-03.05) BEE,BHE(02.01-03.04) SF5(97.02-02.01) S10SF(97.07-02.05) | 25296-FA041 26296-AC030 26296-AC040 26296-AC041 26296-AC050 26296-AC060 26296-AC070 26296-AE020 26296-AE080 26296-AE081 26296-AE100 26296-AE140 26296-AE210 26296-AE220 26296-AC200 26296-AF020 AY040-F1004 V9118F009 | SP1225 | HP5044 | 7589-D721 | 21915 23558 23559 23560 | GDB3217 | 1342 | | 12 | |
| FPE099 | FRONT (PAD) | DAIHATSU | MIRA MOVE TANTO | L275S,L285S(06.12-) L250S,L260S(02.12-07.10) L185S(06.10-) L150S,L160S,L152S,L175S(02.10-06.10) L350S,L360S(03.11-07.12) | 04465-B1010 04465-B1050 04465-B1150 04465-B2020 04465-B2090 04491-97210-000 04491-B1010-000 | SP1550 | | | | | | | | 12 |
| FPE100 | FRONT (PAD) | RENAULT | LOGAN | CLIO, MEGANE | 7701-202-95 7701-203-29 7701-203-82 7701-203-95 7701-203-96 7701-203-97 7701-204-33 7701-204-58 7701-204-66 7701-205-55 7701-349-70 7701-349-73 7711-130-36 7711-130-71 60 01 547 619 60 01 547 911 77 01 210 142 77 11 130 071 41 06 093 42R 77 01 207 066 | SP1243 | HP5197 HP8413 | D1146-8256 D1579-8256 D292-7194 | 21404 21463 21472 21473 | GDB1332 GDB1465 GDB400 GDB807 | 2146304 | | | 12 |
| FPE101 | FRONT (PAD) | FORD MAZDA | FOCUS II 3 | | B3YF-33-23Z B3YH-33-23Z B3YH-33-23ZA BPKY-33-23Z BPKY-33-23ZA C2Y3-33-23ZA 1 566 093 1 695 810 1 712 024 AV61-2K021-BB CV61-2001-BC CV6Z-2001-A | SP1260 | HP5143 | 7947-D1230 D1044-7947 | 23723 23724 24139 | GDB1583 | 1682 | 2372301 | 10 | |
| FPE102 | REAR (PAD) | FORD MAZDA | FOCUS II 3 | | BPKY-26-48Z BPKY-26-48ZA BPKY-26-48ZA9C BPKY-26-48ZB 1 566 096 1 683 374 1 805 813 1 809 458 AV61-2M008-AA AV61-2M008-AB AV61-2M008-AD | SP2091 | HP5142 HP8225 | 7957-D1095 7957-D973 7874-D973 D1095-7957 | 23482 24136 24137 | GDB1621 | DB1665 | 2413701 2521201 2521801 | 10 | |

| FRIXA CODE | POSITION | MAKER | REPRESENTATIVE MODEL | INTERCHANGEABLE | PARTS NO. | SP NO. | HP NO. | FMSI NO. | VVA NO. | TRW | BENDEX (DB NO.) | TEXTAR | E-MARK (E90) | SET / CARTON |
|------------|-------------------|--|-----------------------------|---|---|------------------|----------------------------|--|-------------------------|----------------|--------------------|-------------------------------|--------------|--------------|
| FPE102 | REAR (PAD) | MAZDA | 3 | BK12,BK14(03.10-09.01) | 1 360 306 30736610 30742031 3M512M008AC 3M812M008AC BV61-2M007-BA 16 05 065 16 05 196 16 05 200 3 132 350 1 3 134 132 7 | | | | | | | | 10 | |
| FPE103 | FRONT (PAD) | LADA | VAZ 2108 | CEVARO(90.-93.) SAMARA (VAZ 2108/2109)(86.-96.) SAMARA FORMA / DIVA / SAGONA (VAZ 21099) (88.-97.) | 2108-3501089 2108-3501090 | SP1165 | | | 20789 21170 | GDB469 | | | | 12 |
| FPE104 | FRONT (PAD) | LADA | VAZ 2110 | 110 (VAZ 2110)(96.-00.) 111 (VAZ 2111)(96.-) NOVA - KALINA (VAZ 2105/2107)(94.-00.) NOVA - KALINA BREAK (VAZ 2104)(94.-00.) SAMARA (VAZ 2108/2109)(95.-) SAMARA FORMA / DIVA / SAGONA (VAZ 21099) (95.-99.) | 2108-3501080 2110-3501080 | SP1181 | | | 23670 23671 | GDB1446 | | | | 12 |
| FPE105 | FRONT (PAD) | LADA | NIVA 2121 | COSSACK(78.-96.) NIVA (VAZ 2121)1.6/1.7(76.-00.) NIVA (VAZ 2121)1.9D/1.9D JR,LX(88.-93.) TAIGA(77.-00.) | 2121-3501090 | SP1168 | | | 20660 | GDB265 | | | | 16 |
| FPE106 | FRONT (PAD) | LADA | WHA 2101-2107 | NOVA - KALINA (VAZ 2105/2107)(81.-00.) RIVA ESTATE (VAZ 2101/2102/2103/2106)(73.-85.) TOSCANA (VAZ 2107)(83.-92.) | 2101-3501089 2101-3501090 2101-350109001 2101-35011090 2101-3501210A 4208932 | SP1199 | | | 20166 | | | | 0 | |
| FPE107 | FRONT (PAD) | GAZ | VOLGA | GAZELLE | 45022-SG9-V00 | SP1200 | | | D405-7294 | 20083 20086 | GDB851 | | | 0 |
| FPE108 | FRONT/ REAR (PAD) | MERCEDES BENZ | SPRINTER | SPRINTER (904)(96.-03.) | 0004217391 9024210110 0004237110 0024204120 0024204220 0034201720 | SP1245 SP1277 | | | D949-7848 D1136-8246 | 29076 29153 | GDB1288 | | | 8 |
| FPE109 | FRONT (PAD) | AUDI VOLKSWAGEN | A4 GOLF | | 4B0 698 151 AF 4B0 698 151 M 4D0 698 151 J 8E0 698 151 F 8E0 698 151 K 4B0 698 151 E 4B0 698 151 K 4B0 698 151 N 4B0 698 151 AF 4B0 698 151 E 4B0 698 151 K 4B0 698 151 M 4B0 698 151 N 4B0698151E 4B0698151K 4B0698151N 4B0698151AB 12759808 | SP2001 | HP5253 HP8010 | D840-7711 D840-7715 D840-7764 | 20676 23106 23107 | GDB1049 | 2301802 2193801 | | 8 | |
| FPE110 | REAR (PAD) | AUDI PEUGEOT RENAULT VOLKSWAGEN | A4 405 MEGANE GOLF | A3, A6 | 4D0698451D 8E0698451 8E0698451A 8E0698451B 8E0698451D 8E0698451E 4250.56 4251.08 60 25 375 650 77 01 206 343 77 01 206 784 77 01 207 484 1H0 698 451 C 1H0 698 451 E 1H0 698 451 F 191 615 415 A 191 698 451 A 191 698 451 B 191 698 451 C 191 698 451 | SP2029 | HP8343 HP5247 HP8418 | D340-7234 D894-7773 D1017-7920 D1023-7773 D1112-8216 | 20261 20960 23554 | GDB1196 | 1192 | 2355402 2355401 2355406 | | 12 |

FRIXA BRAKE SYSTEM OVERSEAS VEHICLES(PAD)



| FRIXA CODE | POSITION | MAKER | REPRESENTATIVE MODEL | INTERCHANGEABLE | PARTS NO. | SP NO. | HP NO. | FMSI NO. | VVA NO. | TRW | BENDEX (DB NO.) | TEXTAR | E-MARK (E90) | SET / CARTON |
|------------|-------------|------------|---------------------------|---|---|------------------|----------------------------|-------------------------------------|----------------------------------|------------------------------|-----------------|--------|--------------|--------------|
| FPE111 | FRONT (PAD) | | CHERY A3, A5 | | A133501080 | SP2134 | HP5137 | | | GDB7813 | | | | 12 |
| FPE113 | REAR (PAD) | TOYOTA | LAND CRUISER PRADO | HI-LUX(EURO) | 04466-60060 04466-60090 46 05A 458 04466-60010 04466-60020 04466-60050 04466-60080 04466-60090 04466-60140 04492-60010 04492-60020 04492-60050 04492-60080 | SP2040 | HP5037 | D606-7487 | 21947 | | 1200 | | | 16 |
| FPE114 | FRONT (PAD) | TOYOTA | HILUX 4*4 | HI-LUX(EURO) LAND CRUISER/LAND CRUISER PRADO | 04465-YZZ57 04465-60030 04465-33030 04491-60080 04465-35040 04491-60070 04465-YZZAF 04491-35160 04465-35080 04491-35190 04465-35031 | SP1222 | HP5036 HP8457 HP8494 | D436-7298 D436-7549 D410-7198 | 21679 21681 21680 21785 | | 1323 | | | 10 |
| FPE115 | FRONT (PAD) | TOYOTA | HIACE 90-98 | DYNA/TOYOACE,HI-LUX SURF(PICKUP),HI-LUX(EURO) QUICK DELIVERY | 04465-YZZ56 04465-26060 04491-26200 V9118-A069 04491-26071 04465-35010 04465-26200 04491-35061 04491-35063 04491-26120 04491-26040 04465-26270 04491-26020 04491-26220 04491-26080 04465-40010 04465-26210 04491-35200 04465-20150 04491-26151 V9115-0006 0449 | SP1121 | HP5011 | D438-7205 D303-7205 | 21158 | GDB7045 GDB1181 GDB351 | 318 438 | | 16 | |
| FPE115 | FRONT (PAD) | VOLKSWAGEN | TARO | | 04465-40010 04465-26210 04491-35200 04465-20150 04491-26151 V9115-0006 0449 | | | | | | | | | |
| FPE116 | FRONT (PAD) | DAIHATSU | MEERA 05MY | CHARADE, CUORE VII, CUORE VIII, TREVIS | 04465-B2150 AY040-KE119 MN 113 093 46 05A 272 04491-97203 04491-97209 04491-97214 04491-97218 | SP1593 SP1611 | | D1731-8956 | 24229 24230 | | | | | 10 |
| FPE117 | FRONT (PAD) | TOYOTA | HDZ100 LAND CRUISER FRONT | | 04465-60220 04465-60120 04465-60150 04465-60151 04465-60160 04465-60170 04465-60210 04465-60240 04465-60250 04465-60340 | SP1379 SP2173 | HP5084 | D772-7639 | 23524 23525 | | 1365 | | | 10 |

| FRIXA CODE | POSITION | MAKER | REPRESENTATIVE MODEL | INTERCHANGEABLE | PARTS NO. | SP NO. | HP NO. | FMSI NO. | VVA NO. | TRW | BENDEX (DB NO.) | TEXTAR | E-MARK (E90) | SET / CARTON |
|------------|-------------|----------|--------------------------|---|--|------------------|--------|-------------------|--|-------------------|--------------------|--------|--------------|--------------|
| FPE118 | REAR (PAD) | TOYOTA | HDZ100 LAND CRUISER REAR | | 04466-60070 04466-60110 04466-60030 04466-60070 04466-60110 04466-YZZC4 | SP1380 SP2174 | HP5199 | D773-7640 | 23539 | | 1383 | | | 16 |
| FPE119 | FRONT (PAD) | DAIHATSU | CUORE NEW | DOMINO, LEEZA, MIRA, MOVE, OPTI, PERODUA NIPPA | 04491-87228 04491-87207 04491-87229 04491-87206 04491-87216 04491-87205 04491-87218 04491-87229 04491-87209 04491-87218 04491-87213 04491-87204 04491-87217 | | | | | GDB3126 | | | 12 | |
| FPE119 | FRONT (PAD) | PERODUA | KANCIL | NIPPA | 04491-87219 04491-87277 | | | | | | | | | |
| FPE120 | FRONT (PAD) | SUZUKI | JIMNY+POTOHAR JEE | | 55200-81A10 55200-81A31 55200-70811 55110-80000 55200-70AA0 55110-80020 55200-70812 55110-80001 55200-81A10 55200-70810 1A07-33-23Z 1A01-33-23Z D9000 | SP1540 | HP8448 | D660-7540 | 21142 | GDB383 GDB3210 | | | 16 | |
| FPE120 | FRONT (PAD) | MAZDA | AZ-OFFROAD | | 55200-81A10 55200-70810 55200-60810 55200-60820 | | | | | | | | | |
| FPE122 | FRONT (PAD) | SUZUKI | SWIFT | CULTUS | 55200-82860 55210-86030 55200-82830 55210-82020 55250-61880 55220-82020 | | | | | | | | | 12 |
| FPE122 | FRONT (PAD) | ISUZU | GEMINET | | 55200-82810 55200-82811 55200-82820 55200-82850 55200-82860 55210-82030 | | HP7443 | D296 7197-D296 | 21252 21253 | GDB382 | 402 | | | |
| FPE123 | FRONT (PAD) | MAZDA | MAZDA2 | DEMIO, DEMIO3 | DFY133282A 04465-81120 04465-81320 04465-81191 04465-81190 AEBZ2001A 1550219 ME6GJ-2M008- GA 1 676 630 1719275 8V512K021AA 6G91-2MM08-GB 1 438 867 6G91-2MM08- GA D0051M DFY1-33-282A DFY1-33-28Z 8V51-2K021-AA DFY1-33-28ZA 5581068L00 | SP2113 | | D1454-8653 | 24283 24676 24284 24677 24285 24675 | | 2428302 2428303 | ○ | 16 | |
| FPE123 | FRONT (PAD) | FORD | FIESTA | FIESTA IV, FIESTA VI | | | | | | | | | | |
| FPE123 | FRONT (PAD) | SUZUKI | SWIFT(EURO) | | | | | | | | | | | |
| FPE123 | FRONT (PAD) | DAIHATSU | BOON | LUMINAS,MATERIA,SIRION,STORIA | | | | | | | | | | |

FRIXA BRAKE SYSTEM OVERSEAS VEHICLES(PAD)



| FRIXA CODE | POSITION | MAKER | REPRESENTATIVE MODEL | INTERCHANGEABLE | PARTS NO. | SP NO. | HP NO. | FMSI NO. | VVA NO. | TRW | BENDEX (DB NO.) | TEXTAR | E-MARK (E90) | SET / CARTON | |
|------------|-------------|------------|----------------------|---|---|------------------|------------------|--------------------------|----------------------------------|-------------------------------|--------------------|--------|--------------|--------------|--|
| FPE124 | FRONT (PAD) | MITSUBISHI | LANCER | LEGNUM,OUTLANDER,SPACE RUNNER,ASX,RVR AIRTREK,CHARIOT,DELICA,DION,ECLIPSE | 4605A261 4605A546 4605A546 4605A261 MRS569403 46 05A 491 MZ690348 4605A530 MRS527674 4605A557 4605A684 4605A364 MR727674 46 05A 317 MZ 690186 MRS527675 46 05A 795 4605A486 45 05A 879 MN102618 16 076 903 80 16 076 904 80 9H 0M01 5 CW 650 653 | SP1360 SP2046 | HP5158 | D866-8338 D866-7741 | 23584 | GDB3287 | 1441 | | ○ | 16 | |
| | | CHRYSLER | COUPE 6 | | 4605A557 MRS69403 MZ690186 68020494AB 5191217AA 05191217AA 68020494AA V1010494AA 05191231AA 05191229AA 05191244AA 05191229AA 5191229AA K68020494AB 6802 0494AB 68035676AA | | | | | | | | | | |
| | | DODGE | AVENGER II | CALIBER | | | | | | | | | | | |
| | | JEEP | COMPASS | PATRIOT | | | | | | | | | | | |
| | | CITROEN | C4 AIRCROSS | | | | | | | | | | | | |
| FPE125 | FRONT (PAD) | SUBARU | IMPREZA | IMPREZA, LEGACY | 26296AE200 26296AE150 | SP1629 | | D1999-9229 | 24372 | GDB7682 | | | ○ | 12 | |
| FPE126 | FRONT (PAD) | SUZUKI | LIANA | | 5581054G51 5581054G61 5581054GA0 5581054G00 5581054G60 5581054G50 | SP1541 | HP8153 HP8442 | D1195-8315 | 23817 24034 24035 | GDB3290 | | | ○ | 20 | |
| FPE127 | FRONT (PAD) | SUZUKI | SWIFT | SPLASH | 5581062J00 5581062J20 5581062J31 5581062J30 5581062J01 5581062J50 | SP1564 | | D1435-8553 D1491-8691 | 23973 24403 | GDB3396 GDB3332 GDB1614 | 2397301 2397302 | | ○ | 16 | |
| FPE128 | FRONT (PAD) | TOYOTA | PICK UP | HI-LUX PICK UP(07.-) HI-LUX VIGO INNOVA/KIJANG | 04465-0K160 04465-0K010 | SP1276 | HP5266 | D1710-8934 | 24567 | | DB1741 | | ○ | 10 | |
| FPE129 | FRONT (PAD) | NISSAN | TIIDA | AD EXPERT,BLUEBIRD,SYLPHY,CUBE,LATIO,MARCH MICRA,NOTE,VERSA,WINGROAD | 41060-AX085 41060-AX086 AY040-NS142 AY040-NS120 1N263328Z AY040-NS133 41060-RN22A 41060-EE30J | SP1383 | HP5267 | D1345-8456 | 24682 24683 24684 | GDB7743 | DB1819 | | 10 | | |
| FPE130 | FRONT (PAD) | TOYOTA | YARIS | YARIS(07.-), BELTA, COROLLA, AXIO, PREMIO, ALLION, PRIUS IV, VIOS,VITZ, ALTIS | 04465-52180 04465-52200 04465-52260 V9118A104 04465-81350 04465-0W140 04465-0W141 | SP1377 | | D1184-8538 | 24347 24451 | GDB3459 GDB4173 | | ○ | 16 | | |
| FPE131 | FRONT (PAD) | TOYOTA | PICK UP | HI-LUX VIGO, INNOVA/KIJANG | 04465-0K290 | SP1544 SP1636 | HP5276 | D1523-8731 | 23416 23417 23654 23655 | | DB1675 | | | 16 | |
| FPE132 | FRONT (PAD) | TOYOTA | PICK UP | HI-LUX 4X4(05.-) HI-LUX PICKUP(02.-06.) HI-LUX VIGO FORTUNER TACOMA TACOMA STOUT | 04465-04030 04465-04050 04465-04060 04465-0K020 04465-0K140 04465-0K070 04465-0J140 04465-0K141 0446504010 | SP1375 | HP5200 | D799-7671 | 21680 21679 | GDB3428 | | ○ | 10 | | |

| FRIXA CODE | POSITION | MAKER | REPRESENTATIVE MODEL | INTERCHANGEABLE | PARTS NO. | SP NO. | HP NO. | FMSI NO. | VVA NO. | TRW | BENDEX (DB NO.) | TEXTAR | E-MARK (E90) | SET / CARTON |
|------------|-------------|---------------|----------------------|--|--|--------|--------|--------------------------|-------------------------|--------------------|-----------------|---------|--------------|--------------|
| FPE133 | FRONT (PAD) | TOYOTA | ESTIMA | ESTIMA / HYBRID(99.12-03.04) PREVIA | 04465-28400 04465-28460 04465-28430 AY040-TY058 V9118A084 | SP1591 | HP8488 | D1227-8346 | 24522 | | | | | 10 |
| FPE134 | REAR (PAD) | SUBARU | IMPREZA R | IMPREZA, LEGACY,OUTBACK,BAJA,FORESTER | 26292-AE020 26296-FC002 26692-AE040 26696-AE020 26696-AE040 26696-AQ020 26696-FA010 26696-FC000 26696-FC001 26696-FC020 26696-AE060 26696-AE080 26696-FC002 26696-AE000 | SP2120 | HP5132 | D770-7637 | 23572 23573 23574 | GDB3223 | | | 0 | |
| FPE135 | FRONT (PAD) | ISUZU | ELF | COMMERICAL NPR SERIES | 8-97329266-0 8-97377522 8-97168633 8-97365811 | SP1667 | HP8188 | D825-7697 D1732-7697 | 25800 | GDB7234 | | | | 0 |
| FPE136 | REAR (PAD) | MITSUBISHI | LANCER EVO | | 26696FG000 44060C0094 4605A050 D40F0C0026 MR407391 | SP1495 | HP5205 | D961-7859 | 21580 | GDB3350 | DB1521 | | | 0 |
| FPE137 | FRONT (PAD) | TOYOTA | HILUX VII 2009- | TACOMA | 04465-0K240 04465-0K260 04465-0K300 04465-0K340 | SP1484 | | D1567 | 25209 25210 | | | | | 10 |
| FPE138 | FRONT (PAD) | CHEVROLET | SAIL | | 19279792 | SP2199 | HP5274 | D1661-8888 | | | | | | 12 |
| FPE139 | REAR (PAD) | SUBARU | LEGACY | | 26696-AG010 26696-AG020 26696-AG030 26696-AG050 26696-AG051 26696-FJ000 | SP2118 | HP8433 | D1114-8218 | 24271 24272 | | DB1803 | | | 16 |
| FPE142 | FRONT (PAD) | TOYOTA | CAMRY V | AVALON,VISTA,AURION, DAIHATSU(ALTIS),TOYOTA(AURION) | 04465-33440 04465-33445 04465-33450 04465-33470 04465-33471 04465-06070 04465-06080 04465-06100 04465-06110 04465-06131 04465-07010 | SP2080 | | 8331-D1222 8331-D1293 | 24350 | GDB3429 GDB7713 | | | 12 | |
| FPE143 | REAR (PAD) | TOYOTA | CAMRY | MARK X ZIO,RAV4,AURION VANGUARD,LEXUS(ES350) | 04466-33180 04466-42060 04466-02220 04466-06060 | SP2081 | HP5178 | D1212-8332 | 24338 | | | | | 16 |
| FPE144 | FRONT (PAD) | MERCEDES BENZ | C200 | | A 005 420 62 20 | SP2191 | HP5191 | D872-7747 | 23144 23145 | | | 2314401 | | 10 |

FRIXA BRAKE SYSTEM OVERSEAS VEHICLES(PAD)



| FRIXA CODE | POSITION | MAKER | REPRESENTATIVE MODEL | INTERCHANGEABLE | PARTS NO. | SP NO. | HP NO. | FMSI NO. | VVA NO. | TRW | BENDEX (DB NO.) | TEXTAR | E-MARK (E90) | SET / CARTON |
|------------|-------------|---------------|-----------------------|------------------------------|--|--|--------|------------|--|-------|-----------------|--------|--------------|--------------|
| FPE145 | REAR (PAD) | MERCEDES BENZ | C200 | | 003 420 06 20 | SP2192 | HP5193 | D848-7724 | 23078 | | | | | 20 |
| FPE149 | FRONT (PAD) | MITSUBISHI | PAJERO L300 | MONTERO, STRADA | M8500812 AY040-MT005 MB 500 813 MB 500 814 MB 500 815 MB 500 816 MB 500 819 MB 699 087 MB 699 088 MR 162 523 MR 162 524 MR 389 523 MZ 690 003E MZ 690 017 MZ 690 334 | SP1135 | HP5022 | D349-7241 | 21373 21374 21375 | | DB1113 | | 12 | |
| FPE151 | FRONT (PAD) | CITROEN | XANTIA | | 4251.13 4251.57 4252.92 95667787 | SP1253 | HP5100 | | 21632 23148 23149 | | DB615 | | | 10 |
| FPE152 | REAR (PAD) | CITROEN | XANTIA | | 4521.83 95666873 | SP1254 | HP5101 | D1217-8337 | 20162 | | DB875 | | | 20 |
| FPE156 | FRONT (PAD) | TOYOTA | AURIS, COROLLA | | 04465-02390 | 04465-02391 04465-02420 | SP1700 | D1964-9189 | 25698 25699 25700 25090 25091 25092 | | | | | 10 |
| FPE157 | FRONT (PAD) | MAZDA | MAZDA 3 | MAZDA 3 SALOON, CX-3 | BHY1-33-282A B4Y0-33-282A B4Y0-33-282B BHY3-33-292 | SP1729 | | D1728-8952 | 25875 25876 25877 | | | | | 16 |
| FPE158 | FRONT (PAD) | MAZDA | MAZDA 6 SALOON | MAZDA6 SALOON, 6 ESTATE | G4YA-33-282A G4YA-33-282 GHY1-33-282 GHY9-33-282 GHY9-33-282A GHY9-33-282B GHY9-33-282C | G4YA-33-282B G4YA-33-282C | SP1728 | D1711-8936 | 25725 25726 | | | | | 16 |
| FPE159 | REAR (PAD) | MAZDA | MAZDA 3 (BM) SKYAKTIV | MAZDA 3 SALOON (BM) SKYAKTIV | B4Y0-26-482A B4Y0-26-482B | SP1730 | | D1729-8953 | 25878 25879 25880 | | | | | 16 |
| FPE160 | FRONT (PAD) | KHODRO | NEW SAMAND | | | SP1418 SP2225 | HP5271 | | | | | | | 10 |
| FPE161 | FRONT (PAD) | SUZUKI | VITARA | | 55200-65J00 55200-65J10 55200-65J11 55200-67D11 | 55200-65J03 55200-65J10 55200-65J11 55200-65J22 | SP1416 | HP8447 | D1188-8307 | 24346 | | | | 20 |
| FPE162 | FRONT (PAD) | MAZDA | MAZDA 323, FORD | | BJYD-33-232 BJYM-33-232 | B2YD-33-282 BJYD-33-282 BJYM-33-282 | SP1227 | HP5016 | D798-7670 | 23490 | DB1358 | | | 16 |
| FPE163 | FRONT (PAD) | MAZDA | MAZDA B-SERIES | | 04491-87600 04491-87601 04491-87602 04491-87603 04491-87605 04491-87613 04491-87614 UA01-49-280 UH01-49-280 | SP1417 | HP8250 | D239-7151 | 21243 | | DB271 DB291 | | 10 | |

| FRIXA CODE | POSITION | MAKER | REPRESENTATIVE MODEL | INTERCHANGEABLE | PARTS NO. | SP NO. | HP NO. | FMSI NO. | VVA NO. | TRW | BENDEX (DB NO.) | TEXTAR | E-MARK (E90) | SET / CARTON |
|------------|-------------|---------|----------------------|---|--|--|--------|----------|------------|----------------------------------|-----------------|---------|--------------|--------------|
| FPE164 | FRONT (PAD) | KHODRO | PAYKAN | HILLMAN | | 5059479 | SP1358 | | D68-760 | | | | | 20 |
| FPE165 | FRONT (PAD) | RENAULT | CLIO | RENAULTCLIO III, MEGANE II, SCENIC II | 41060-1237R 77 01 209 100 77 01 209 670 77 11 130 086 86 71 016 654 | 41 06 000 12R | SP1414 | | D1542-8750 | 23215 24535 | | 2453501 | | 10 |
| FPE166 | FRONT (PAD) | TOYOTA | LAND CRUISER 2004 | | 04465-35290 04465-60320 4605A472 4605A481 | 04465-35250 04465-04070 04465-0K360 04465-0K370 04465-0K390 04465-35250 04465-35290 04465-60210 04465-60270 V9118-A092 | SP2033 | HP5098 | D976-7875 | 24024 24025 24026 | DB1482 | | 10 | |
| FPE167 | FRONT (PAD) | TOYOTA | VITZ 99 | YARIS | 04465-52041 04465-52040 04465-52070 04465-58020 44655-2040 44655-2041 | 04465-52031 04465-52052 04465-52090 04465-52091 04465-52130 04465-52140 04465-52280 04465-YZZCJ | SP1230 | HP5018 | D831-7704 | 23348 23349 23350 | DB1378 | 2334803 | 12 | |
| FPE168 | FRONT (PAD) | HONDA | CITY 96-2002 | CIVIC IV, CIVIC V, JAZZ III, LOGO, PRELUDE II | 45022-SB0-505 45022-SB0-670 45022-SB0-671 45022-SB0-672 45022-SH3-600 45022-SH3-G03 45022-SH3-G50 45022-SR3-910 | 45022-SA5-000 45022-SA5-010 45022-SA5-020 45022-SB0-506 45022-SB0-516 45022-SB2-505 45022-SB2-674 45022-SB2-675 45022-SBS-515 45022-SH3-306 45022-SH3-N30 45022-SR3-505 | SP1462 | HP8166 | D256-7162 | 20193 20194 20959 21678 | DB300 | | 16 | |
| FPE169 | FRONT (PAD) | HONDA | ACCORD 86 | INTEGRA, CRX I | 45022-SB2-780 45022-SD2-506 45022-SD2-A10 45022-SD2-A11 45022-SD2-A12 45022-SD2-A13 45022-SEO-316 45022-SEO-505 45022-SEO-910 45022-SEO-911 45022-SEO-912 45022-SEO-A00 45022-SEO-A01 45022-SEO-A10 45022-SEO-A11 45022-SEO-A12 | 11L012-125-3A 45022-SD2-31277 45022-SD2-505 45022-SD2-A01 45022-SD2-A02 45022-SEO-315 45022-SEO-325 45022-SEO-931 45022-SEO-932 45022-SEO-A03 | SP1346 | HP5059 | D334-7229 | 20099 20104 20108 | DB429 | | 10 | |
| FPE170 | FRONT (PAD) | HONDA | CITY 2009 | CIVIC V, CIVIC VI, CIVIC VII, CRX III | 45022-TG0-T00 45022-S04-V10 45022-S5A-E50 45022-S5A-G00 45022-S5A-G01 45022-S5B-E00 45022-SR3-V01 45022-SR3-V10 45022-SR3-V11 45022-SR3-V12 | 45022-504-V10 45022-S04-V11 45022-S04-V12 45022-S5A-J00 45022-SR3-V00 5022-TR2-A00 45022-TR2-A01 | | | D621-7497 | | | | 20 | |
| FPE173 | FRONT (PAD) | KHODRO | RUNNA | | | | | | | | | | | 12 |
| FPE174 | FRONT (PAD) | SAIPA | TIBA | | | | SP1722 | | | | | | | 16 |

FRIXA BRAKE SYSTEM OVERSEAS VEHICLES(PAD)



| FRIXA CODE | POSITION | MAKER | REPRESENTATIVE MODEL | INTERCHANGEABLE | PARTS NO. | SP NO. | HP NO. | FMSI NO. | VVA NO. | TRW | BENDEX (DB NO.) | TEXTAR | E-MARK (E90) | SET / CARTON |
|------------------|-------------|---------------|----------------------|----------------------------|--|--|----------|------------------|----------------------------------|---|-----------------|--------------------|--------------|--------------|
| FPE175 | FRONT (PAD) | TOYOTA | CAMRY | | 04465-06090 | SP1590 | | D1726-8950 | 25610 25611 25612 | | | | | 12 |
| FPE176 | REAR (PAD) | TOYOTA | CAMRY | | 04466-06080 | SP1236 | HP5244 | D1727-8951 | 25599 25600 25601 | | DB1475 | | | 0 |
| FPE178 (FPBMW01) | FRONT (PAD) | BMW | 528 | 1 COUPE, 3 COUPE, 5 SERIES | 34 11 2 283 865 34 11 2 339 269 34 11 6 753 668 34 11 6 761 283 34 11 6 763 089 34 11 6 763 591 34 11 6 764 540 34 11 6 767 191 34 11 6 767 580 34 11 6 781 873 | 34 11 6 761 284 34 11 6 764 437 34 11 6 764 438 34 11 6 784 129 | SP2210 | HP5196 | D918-7799 D1260-7799 | 23311 23312 23347 23704 23733 | 1498 | 2331301 2331211 | | 0 |
| FPE179 (FPBEN01) | FRONT (PAD) | MERCEDES BENZ | BENZ E300 | E CLASS | 000 142 99 20 000 420 07 20 000 420 99 20 001 420 07 20 001 420 12 20 002 420 23 20 | | HP5027 | D423-7311 | 20940 20941 21028 21029 | | 425 | 2094102 | | 12 |
| FPE180 (FPLEX01) | FRONT (PAD) | LEXUS | LEXUS ES300 | TOYOTA CAMRY | 04465-33440 04465-33445 04465-33450 04465-33470 04465-33471 04465-06070 04465-06080 04465-06100 04465-06110 04465-06131 04465-07010 | | SP2080 | HP5242 | D1222-8331 D1293-8331 | 24350 | | | | 0 |
| FPE181 (FPHON01) | FRONT (PAD) | HONDA | CR-V | | 45022-SHJ-A50 45022-SHJ-A00 45022-STK-A00 45022-T0A-A00 45022-T1G-G01 45022-TX8-A00 | 45022-TP6-A00 26296-AL03A | SP2115 | HP5169 | D1089-7994 | 24342 | | | | 12 |
| FPE182 (=FPE019) | FRONT (PAD) | TOYOTA | CAMRY | | 04465-30340 04465-06030 04465-30340 04465-33240 04465-33250 04465-33260 04465-33320 04465-33340 04465-44140 04465-68010 04465-A2010TM V9118-A09D | 04465-06030 | SP2037 | HP5053 | D908-7787 D1052-7787 | 23928 23806 | DB1462 | | | 0 |
| FPE183 (S1BEN02) | FRONT (PAD) | MERCEDES BENZ | C200 | S-CLASS, ML-CLASS | 003 420 05 20 003 420 08 20 003 420 18 20 003 420 42 20 003 420 89 20 004 420 04 20 | 005 420 60 20 163 420 06 20 163 420 08 20 163 420 10 20 | SP2193 | HP5148 | D847-7723 | 23045 23271 | DB1453 | 2374502 2327102 | | 10 |
| FPE184 (FPVWV01) | FRONT (PAD) | VOLKSWAGEN | VW GOLF 2.0TDI | | 1J0 698 151 K 1J0 698 151 M 8N0 698 151 A 8N0 698 151 C JZW 698 151 C | | SP2097 | HP8536 HP8539 | D555-7434 D687-7710 | 21848 21911 23392 | | 2339201 | | 8 |
| FPE185 (FPHON02) | FRONT (PAD) | HONDA | HONDA ACCORD 3.5 | | 06450-SDA-J00 | | SP1076-F | HP5009 | D503-7382 | 21651 21652 21653 | DB1206 | | | 0 |

| FRIXA CODE | POSITION | MAKER | REPRESENTATIVE MODEL | INTERCHANGEABLE | PARTS NO. | SP NO. | HP NO. | FMSI NO. | VVA NO. | TRW | BENDEX (DB NO.) | TEXTAR | E-MARK (E90) | SET / CARTON |
|------------------|-------------|------------|----------------------|-----------------|---|--|------------------|------------------|-------------------------------------|--|-----------------|-------------------------------|--------------|--------------|
| FPE186 (S1BMW04) | FRONT (PAD) | BMW | BMW320D | | 34 11 1 160 356 34 11 1 160 357 34 11 1 160 532 34 11 1 161 437 34 11 1 161 438 34 11 1 161 445 34 11 1 161 446 34 11 1 163 850 34 11 1 164 737 34 11 1 165 556 34 11 6 752 731 34 11 6 761 237 34 11 6 761 242 34 11 6 761 244 34 11 9 068 842 | 34 11 1 161 437 34 11 1 161 445 34 11 1 161 437 | SP1388 | HP5031 | D781-7649 D781-7847 | 21292 21293 21643 21644 21916 21925 21926 23286 23287 23288 | 1414 | | | 0 |
| FPE187 (FPBMW02) | FRONT (PAD) | BMW | BMW520D | | 34 11 6 763 617 34 11 6 763 618 | 34 11 2 339 267 | SP2159 SP2214 | | D1061-7967 | 23793 23794 24096 24193 | | 2379401 2409601 2379301 | | 8 |
| FPE188 (S1HON03) | FRONT (PAD) | HONDA | HONDA ACCORD 2.4 | | 45022-S9A-A00 45022-S9A-A01 45022-S9A-E00 45022-S9A-E50 45022-S9A-E60 45022-S9A-A01 45022-SCV-A00 45022-SDA-A00 45022-SDA-A10 45022-SDC-A00 45022-SDR-A00 | 45022-TX6-A00 45022-TX6-A01 06450-S9A-E51 06450-S9A-E50 45022-T2F-A01 45022-TBA-A00 45022-TR7-A01 45022-TR7-A02 | SP1237 | HP5096 | D914-7795 D943-7844 D958-7795 | 23856 23868 23869 23870 | DB1481 | | 16 | |
| FPE189 (FPAUD01) | FRONT (PAD) | AUDI | AUDI A4 2.0 TFSI | | 4G0 698 151 4G0 698 151 D 4G0 698 151 L 8K0 698 151 D 8K0 698 151 8K0 698 151 B 8K0 698 151 C 8K0 698 151 D 8K0 698 151 E 8K0 698 151 G 8K0 698 151 K 8K0 698 151 L 8R0 698 151 A 8R6 698 151 | 8K0 698 151 H 8R0 698 151 | SP2145 | | D1322-8434 | 24264 24265 24408 24409 24743 | | | 6 | |
| FPE190 (S1LEX02) | FRONT (PAD) | LEXUS | ES330 | | 04465-28510 04465-33270 04465-33280 V9118-A89 V9118-A84 | 04465-65021 | SP1372 | HP5054 HP8523 | D906-7785 D906-7896 | 23855 | DB1490 | | | 16 |
| FPE191 | FRONT (PAD) | HYUNDAI | GRAND I10 F | | 58101-84A00 58101-89A70 | 58101-89A30 | SP1719 | | | | | | ○ | 12 |
| FPE192 | FRONT (PAD) | MITSUBISHI | PICK UP L200 01-06 | | MN 102 617 MR 527 550 | 41060 38U90 41060-17U90 41060-1E090 D1060-38U90 | SP1256 | HP5251 | | 23086 23087 23316 23317 | GDB3327 | DB1308 | | 12 |
| FPE193 | FRONT (PAD) | MITSUBISHI | PICK UP L200 07-14 | | 46 05A 198 46 05A 284 46 05A 623 46 05A 631 46 05A 632 46 05A 633 MZ 690 356 D6128M | 46 05A 930 46 05B 158 46 05B 233 | SP1361 | | D1519-8728 | 24529 24530 | | 2452901 | | 12 |
| FPE194 | FRONT (PAD) | LAND ROVER | RANGE ROVER | | 107866041 SFP500045 SFP 500070 | | SP2235 | | D1263-8380 | 20217 | | 2021701 | | 10 |

FRIXA BRAKE SYSTEM OVERSEAS VEHICLES(PAD)



| FRIXA CODE | POSITION | MAKER | REPRESENTATIVE MODEL | INTERCHANGEABLE | PARTS NO. | SP NO. | HP NO. | FMSI NO. | WVA NO. | TRW | BENDEX (DB NO.) | TEXTAR | E-MARK (E90) | SET / CARTON |
|---------------------|-------------|---------------|-----------------------|-----------------|---|--------------------|--------|--|---|-----|-----------------|--------|--------------|--------------|
| FPE195 | FRONT (PAD) | MAZDA | MAZDA 2 | | DAY6-33-28ZA DAY5-33-28ZA DAY6-33-28Z DBY1-33-28Z DBY1-33-28ZA 04465-WB001 | | | D1852-9081 | 22235 22236 | | | | ○ | 12 |
| FPE196 (FPLEX02) | FRONT (PAD) | LEXUS | LEXUS ES330 | | 04465-28510 | SP1372 | | D906-7785 | 23855 | | | | | 8 |
| FPE197 | FRONT (PAD) | LEXUS | LX570 | | 04465-00020 | SP1381 | HP5213 | D1303-8419 | 24386 24394 24395 | | | | | 10 |
| FPE212 | FRONT (PAD) | PEUGEOT | BOCER 3 | | 16 078 783 80 16 078 785 80 16 124 338 80 16 124 339 80 4254.61 4254.62 7 736 601 7 7 736 601 7 7 736 601 8 16 124 338 80 4253.57 | | | D1489-8689 | 24468 24469 | | | | | |
| FPE213 | FRONT (PAD) | FORD | GALAXY 3 | | 1 379 971 1 436 498 1 437 761 1 458 247 1 566 232 6G91-2K021-A2C 6G91-2K021-A2D 6G91-2K021-AA 3 079 310 7 3 079 354 0 | SP2101-F SP2144 | | D1306-8421 | 24123 24124 | | | | | |
| FPE214 | FRONT (PAD) | BMW | 3 SERIES (E36) | | 34 11 1 160 356 34 11 1 160 357 34 11 1 160 532 34 11 1 161 437 34 11 1 161 438 34 11 1 161 445 | | HP5270 | D558-7437 | 21292 21293 21643 21644 21916 | | | | | |
| FPE215 | FRONT (PAD) | NISSAN | ALMERA 2 | | 41060-2F025 41060-2F026 41060-4M525 41060-4M526 41060-71J25 41060-71J26 41060-BM425 673 223 55 D1060-BM40A | SP1581 | | | 21546 23069 | | | | | |
| FPE216 | REAR (PAD) | FORD | TRANSIT 5 | | 1 371 454 1 433 958 1 530 602 1 554 524 1 560 026 1 819 638 6C11-2M008-AZE 6C11-2M008-AC 6C11-2M008-AE 6C11-2M008-AF | | | D1502-8701 D1502-8737 D1639-8866 | 22017 24486 25918 | | | | | |
| FPE217 | REAR (PAD) | MERCEDES BENZ | SPRINTER 2-t(901,902) | | 000 421 24 10 002 420 38 20 002 420 56 20 002 420 69 20 003 420 64 20 | | | D951-7850 | 21621 21622 | | | | | |
| FPE218 | FRONT (PAD) | SUZUKI | SX4 | | 7 174 265 3 55810-79J00 | SP1751 | | | 24391 24392 | | | | | |

| FRIXA CODE | POSITION | MAKER | REPRESENTATIVE MODEL | INTERCHANGEABLE | PARTS NO. | SP NO. | HP NO. | FMSI NO. | WVA NO. | TRW | BENDEX (DB NO.) | TEXTAR | E-MARK (E90) | SET / CARTON |
|------------|-------------|---------------|----------------------|-----------------|---|------------------------------|------------------|--------------------------------------|---|-----|-----------------|--------|--------------|--------------|
| FPE219 | REAR (PAD) | AUDI | A3 2 SPORTBACK | | 483 698 451 483 698 451 A 4E0 698 451 4F0 698 451 4F0 698 451 F 8E0 698 451 C 8E0 698 451 N 8E0 698 451 P 3W0 698 451 B 7E0 698 451 A 7H0 698 451 A | SP2112-R | HP8542 | D1018-7921 | 23326 23854 23882 | | DB1693 | | | |
| FPE220 | FRONT (PAD) | MERCEDES BENZ | C-CLASS (A205) | | 005 420 08 20 005 420 09 20 005 420 12 20 005 420 15 20 006 420 71 20 007 420 16 20 007 420 55 20 007 420 56 20 007 420 92 20 | SP2284 | | D1340-8421 | 24207 24306 | | | | | |
| FPE221 | FRONT (PAD) | AUDI | A4 (802, B5) | | 4E0 698 151 F 4E0 698 151 M 4F0 698 151 A 4F0 698 151 D 8E0 698 151 C 8E0 698 151 G 8E0 698 151 L 8E0 698 151 G | SP1705 SP2283 SP2112-F | HP5254 HP8542 | D915-7796 D979-7882 D1111-7796 | 23762 23763 23801 23591 24021 | | | | | |
| FPE222 | REAR (PAD) | BMW | 5 SERIES (E61) | | 34 21 6 763 043 34 21 6 763 044 34 21 6 784 135 34 35 6 763 043 34 35 6 763 044 | SP2215 | | | 23732 23737 | | | | | |
| FPE223 | REAR (PAD) | BMW | 5 SERIES (F07) | | 34 21 6 768 471 34 21 6 783 555 34 21 6 794 879 34 21 6 857 108 34 21 6 868 497 | SP2164 SP2213 | | D919-7820 | 23731 24458 24495 | | | | | |
| FPE224 | REAR (PAD) | AUDI | A6 IV (4G5, C7, 4GD) | | 4G0 698 451 4G0 698 451 A 4G0 698 451 B 4G0 698 451 C | SP2317 | | D1547-8785 | 24606 25214 | | | | | |
| FPE225 | REAR (PAD) | AUDI | A4 (8K5, B8) | | 8K0 698 451 8K0 698 451 A 8K0 698 451 B 8K0 698 451 C 8K0 698 451 D 8K0 698 451 E | SP2146 | | D1386-8494 | 24606 | | | | | |
| FPE227 | FRONT (PAD) | BMW | 5 SERIES (F11) | | 34 11 6 775 310 34 11 6 796 844 34 11 6 856 591 34 11 6 858 047 34 11 6 872 632 | SP1699 | | D1504-8705 | 23794 24697 | | | | | |
| FPE229 | REAR (PAD) | AUDI | A6 (4G5, C7, 4GD) | | 1K0 698 451 L 3AA 698 451 3C0 698 451 B 3C0 698 451 C 3C0 698 451 D 3C0 698 451 E 3C0 698 451 F 5N0 698 451 | SP2263 | | D1348-8213 | 22192 22268 24483 | | | | | |
| FPE233 | REAR (PAD) | BMW | 5 SERIES (F11) | | 34 20 6 879 857 34 21 6 788 284 34 21 6 796 741 34 21 6 798 193 34 21 6 862 202 34 21 6 870 558 34 21 6 870 565 | SP2275 | | D1473-8672 | 24561 24562 | | | | | |

FRIXA BRAKE SYSTEM OVERSEAS VEHICLES(PAD)

Distributed by

 driving emotion

| FRIXA CODE | POSITION | MAKER | REPRESENTATIVE MODEL | INTERCHANGEABLE | PARTS NO. | SP NO. | HP NO. | FMSI NO. | VVA NO. | TRW | BENDEX (DB NO.) | TEXTAR | E-MARK (E90) | SET / CARTON |
|------------|-------------|---------------|-------------------------|-----------------|---|------------------|--------|------------------------|-------------------------|-----|-----------------|--------|--------------|--------------|
| FPE234 | REAR (PAD) | MINI | MINI (R52) | | 34216772894 34216778325 34216778326 34216778327 34216794059 | SP2246 | | D1309-8424 | 24289 24290 | | | | | |
| FPE235 | FRONT (PAD) | BMW | 1 SERIES (E88) | | 34116767143 34116767144 34116771837 34116771838 34116774050 34106863292 34116770499 34116770510 34116772892 34116794056 34116860016 | SP2245 | | D1308-8423 | 23915 23916 | | | | | |
| FPE236 | REAR (PAD) | BMW | B7 (F01,F02) | | 34216775342 | | | D919-7820 | 23731 24695 | | | | | |
| FPE237 | FRONT (PAD) | TOYOTA | AVENSIS 3JZRT27, ADT27) | | 04465-02280 04465-0F010 04465-YZZEE | SP1580 | | | 24668 24669 24929 | | | | | |
| FPE238 | FRONT (PAD) | BMW | X4(F26) | | 34114074370 34116778401 34116778402 34116778403 34116779293 34116852253 34116857096 | SP2172 | | D1294-8411 | 24170 24171 | | | | | |
| FPE239 | REAR (PAD) | BMW | X5 2 (E70) | | 34216776937 | SP2157 SP2165 | | D1042-7427 | 23447 23732 | | | | | |
| FPE366 | FRONT (PAD) | MERCEDES BENZ | E-CLASS(W211) | | 0034206520 0034209920 0044207920 0044208720 | SP2194 | | D987-7889 D987-8517 | 23428 23743 23744 | | | | | |



FRIXA BRAKE SYSTEM OVERSEAS VEHICLES(LINING)

FRIXA BRAKE SYSTEM OVERSEAS VEHICLES(LINING)



| FRIXA CODE | POSITION | MAKER | REPRESENTATIVE MODEL | INTERCHANGEABLE | PARTS NO. | SP NO. | VVA NO. | FMSI NO. | TRW | E-MARK (E90) | SET / CARTON |
|------------|-------------------|---------|----------------------|---|--|---|---------|----------|------------------|--------------|--------------|
| FLE01 | REAR (SHOE ASS'Y) | RENAULT | CLIO | BBO,CB0(98.03-01.05) BB0L,BB0P,CB0L,CB0P(00.02-06.02) BB07,CB07,BB08,CB08,BB0T,BB1D,CB0T,CB1D(01.06-06.02) SBOA(98.03-) SBOF,SBO7(01.06-) | 77 01 201 758 77 01 203 979 77 01 205 720 77 01 206 962 77 01 208 111 | | | | GS8642 | | 10 |
| | | | | | | | | | | | |
| | | PEUGEOT | 106 206 306 | | | | | | | | |
| FLE02 | REAR (SHOE ASS'Y) | SUZUKI | ALTO 1000CC | CHEVROLET CRUZE,IGNIS,KEI MR WAGON,SWIFT TWIN, WAGON R | 53200-76G20 53200-76G51 53200-76G31 53200-76G10 53200-76G50 K 9959 | | | | GS8476 | | |
| FLE03 | REAR (SHOE ASS'Y) | SUZUKI | ST308/JEEP | ALTO, CARRY, EVERY | 52210-79260 52200-70820 52210-79241 52200-80840 52210-85400 52210-77301 52200-77800 52202-72050 52210-79240 52200-80830 52210-80040 52210-77300 | | | | GS8195 | | |
| FLE04 | REAR (SHOE ASS'Y) | SUZUKI | MARGALLA/LIAYNA 1.6 | AERIO ALTO BALENO CERVO CULTUS CULTUS CRESCENT ESTEEM SWIFT | 53210-70C10 5320069G12 53200-60840 53210-70C00 53200-60841 53200-69G00 K 0032 | | | | GS8549 GS8456 | | |
| FLE05 | REAR (SHOE ASS'Y) | TOYOTA | EE80 | CAMRY,CARINA,CELICA,COROLLA,CURREN, SPACIO SPRINTER | 04495-12220 04497-20100 04495-32030 04495-20120 04495-20090 04047-20071 04497-20072 04495-32010 04495-20100 449520150 0449502090 | | | | GS8181 | | 10 |
| FLE06 | REAR (SHOE ASS'Y) | SUZUKI | ALTO | CERVO,FRONTE | 53210-84010 53210-50A10 53800-50800 53830-50A10 53210-56A10 53210-56A50 K 7728 | 7251-57360 7251-78170 7251-78360 7251-78480 7251-78481 53210-46A50 | | 1363-591 | GS8302 | | 10 |
| FLE07 | REAR (SHOE ASS'Y) | SUZUKI | SWIFT | | 53200-82810 53200-82031 96053329 53200-82030 96052361 K 9914 | 5321086000 5321086800 | | 1384-550 | GS8248 | | 10 |
| FLE08 | REAR (SHOE ASS'Y) | SUZUKI | ST 30 | | 52210-79030 52210-79022 52210-79020 52210-79023 52210-79021 | | | | | | |

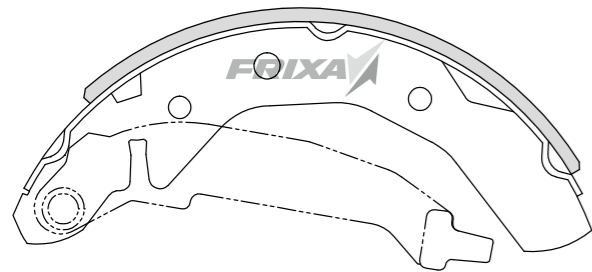
| FRIXA CODE | POSITION | MAKER | REPRESENTATIVE MODEL | INTERCHANGEABLE | PARTS NO. | SP NO. | VVA NO. | FMSI NO. | TRW | E-MARK (E90) | SET / CARTON | |
|---------------|--------------------|---------|------------------------------------|---|--|----------------------------|---------|----------------------------|--------|--------------|--------------|------|
| FLE09 | REAR (SHOE ASS'Y) | TOYOTA | HIACE 2002 PIN DIFFERNCE AS K 2330 | LITEACE,TOWNACE | 04495-26140 04495-26130 04497-26080 K 2317 | | | | GS8593 | | 8 | |
| FLE10 | REAR (SHOE ASS'Y) | TOYOTA | HILUX 84 | HIACE, DYNA/TOYOACE | 04497-35070 04497-26030 04495-35180 04495-35141 04495-35140 04495-35122 04495-35100 04495-35120 04495-35101 04495-35101 04495-35090 04495-35081 04495-35052 04495-35050 04495-35031 04495-26150 04495-26021 04495-26020 | | | GS8171 GS7068 GS8170 | | 8 | | |
| FLE11 | REAR (SHOE ASS'Y) | TOYOTA | HILUX 4*2 FRONT | | 04494-26040 04494-26020 04494-26070 04494-26030 K 2256 | | | | GS8143 | | | |
| FLE12 | REAR (SHOE ASS'Y) | TOYOTA | LAND CRUISER | DYNA/TOYOACE | 04495-60020 04497-60030 04495-60031 04495-34020 04495-60060 04495-60070 04495-60010 04495-60051 K 2279 | 04495 60050 04495 60011 | | GS8502 | | | | |
| FLE13 | REAR (SHOE ASS'Y) | TOYOTA | 4*4 HILUX 89-2006 | DYNA/TOYOACE, LAND CRUISER,TACOMA TUNDRA, HIACE | 04497-35061 04497-26071 04495-35150 04495-34010 04495-26061 04495-26060 04495-26050 | | | GS8501 GS8601 | | 6 | | |
| FLE14 | REAR (SHOE ASS'Y) | TOYOTA | HIACE LH114 | | 04495-26180 04495-26190 04495-26200 04495-26210 04495-26220 04495-26230 04495-35200 04495-35240 | | | GS8693 | | 8 | | |
| FLE15 | REAR (SHOE ASS'Y) | KHODRO | NEW SAMAND | | | | | | | | 10 | |
| FLE16 | FRONT (SHOE ASS'Y) | NISSAN | SAIPA | ZAMYAD | 41060-T3226 D1060 T3285 | | | | GS7022 | | 8 | |
| FLE17 | REAR (SHOE ASS'Y) | NISSAN | SAIPA | ATALAS CONDOR | 41060-T9627 | | | | GS7017 | | 6 | |
| FLE18 (FLK23) | REAR (SHOE ASS'Y) | HYUNDAI | GRAND I10 | ALL NEW PRIDE CLICK 8* | 58305 B4A70 58305-3XA00 58305 1CA10 | | | | SA133 | | GS8785 | 10 |
| FLE023 | REAR (SHOE ASS'Y) | PEUGEOT | 405 | | 424155 4241G6 4241K1 4241K2 4241K3 4241J0 95614552 | | | | SA158 | | GS8272 | O 10 |
| FLE024 | REAR (SHOE ASS'Y) | PEUGEOT | 206 1.4 | | 4241K5 91053801 | | | | SA157 | | GS8642 | O 10 |



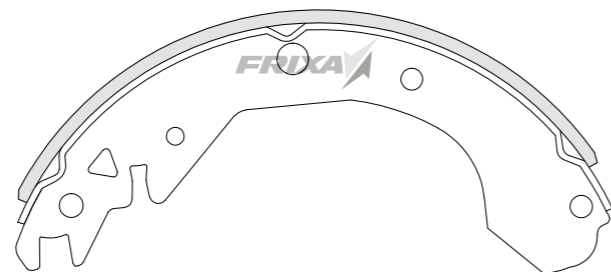
FRIXA BRAKE SYSTEM **PRODUCT DRAWING**

| | |
|----------------------------------|---------|
| KOREAN VEHICLES | P 78 ~ |
| FOREIGN VEHICLES (PAD) | P 134 ~ |
| FOREIGN VEHICLES (LINING) | P 175 ~ |

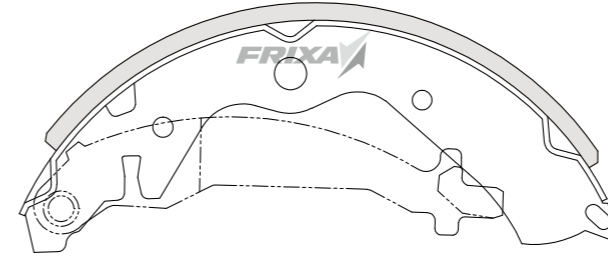
| FLD01 | | CHEVROLET | | | | |
|----------------------|--|-----------|------|--------|--------|--|
| PART NUMBER | 53200-70800-000 | | | | | |
| REPRESENTATIVE MODEL | TICO | | | | | |
| INTERCHANGEABLE | TICO(91.-00.09) MATIZ(SPARK)(98.-09.08) | | | | | |
| PO | SP | WVA | FMSI | HP | TRW | |
| REAR (SHOE ASS'Y) | SA086 (SA050) | | | HS2001 | GS8645 | |



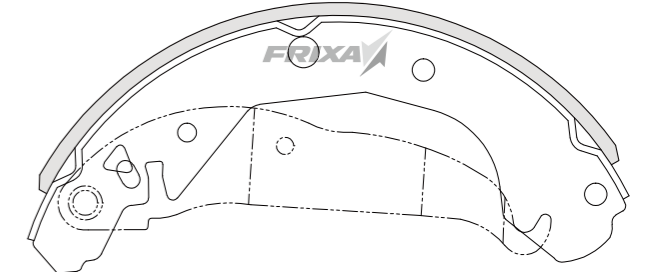
| FLD02 | | CHEVROLET | | | | |
|----------------------|--|-----------|------|--------|-----|--|
| PART NUMBER | S4520001 | | | | | |
| REPRESENTATIVE MODEL | PRINCE | | | | | |
| INTERCHANGEABLE | PRINCE(92.-97.) ROYAL PRINCE(-92.) BROUGHAM(93.-97.) | | | | | |
| PO | SP | WVA | FMSI | HP | TRW | |
| REAR (SHOE ASS'Y) | SA010 | | | HS2006 | | |



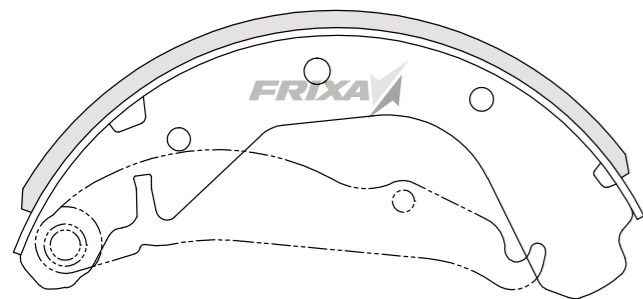
| FLD07 | | CHEVROLET | | | | |
|----------------------|--------------------------------------|-----------|------|--------|-----|--|
| PART NUMBER | 53200-85800-000 | | | | | |
| REPRESENTATIVE MODEL | DAMAS | | | | | |
| INTERCHANGEABLE | DAMAS, DAMAS II(92.-), LABO(92.-02.) | | | | | |
| PO | SP | WVA | FMSI | HP | TRW | |
| REAR (SHOE ASS'Y) | SA059 | | | HS2003 | | |



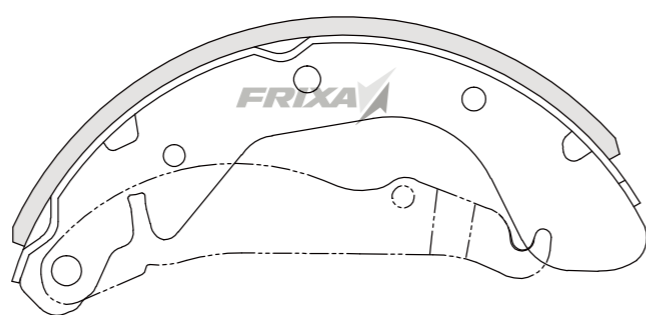
| FLD08 | | CHEVROLET | | | | |
|----------------------|--|-----------|------|--------|--------|--|
| PART NUMBER | 96245180 | | | | | |
| REPRESENTATIVE MODEL | LEGANZA | | | | | |
| INTERCHANGEABLE | LEGANZA(97.04-02.04), NUBIRA DOHC(97.-99.) | | | | | |
| PO | SP | WVA | FMSI | HP | TRW | |
| REAR (SHOE ASS'Y) | SA102 | | | HS2007 | GS8748 | |



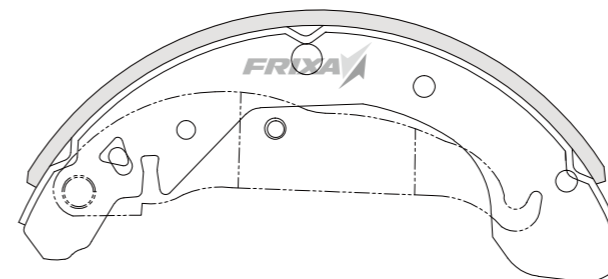
| FLD03 | | CHEVROLET | | | | |
|----------------------|---|-----------|------|--------|-----|--|
| PART NUMBER | 90272780 | | | | | |
| REPRESENTATIVE MODEL | LEMANS | | | | | |
| INTERCHANGEABLE | LEMANS(86.-97.), ESPERO(OLD)(90.10-94.) | | | | | |
| PO | SP | WVA | FMSI | HP | TRW | |
| REAR (SHOE ASS'Y) | SA055-OLD | | | HS2004 | | |



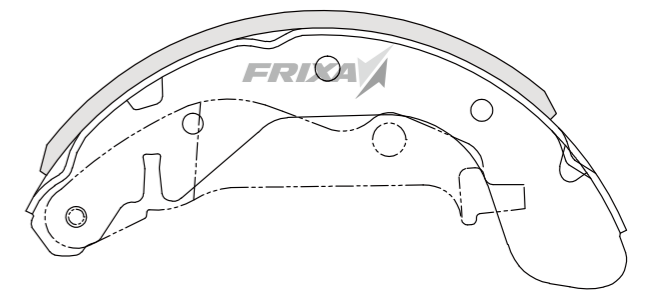
| FLD04 | | CHEVROLET | | | | |
|----------------------|--|-----------|------|--------|-----|--|
| PART NUMBER | 96226110 | | | | | |
| REPRESENTATIVE MODEL | ESPERO(NEW) | | | | | |
| INTERCHANGEABLE | ESPERO(NEW)(94.-96.12), CIERO(94.-97.), NEXIA(95.-97.), LANOS(96.-03.), NUBIRA I/II(97.-03.) | | | | | |
| PO | SP | WVA | FMSI | HP | TRW | |
| REAR (SHOE ASS'Y) | SA055-NEW | | | HS2005 | | |



| FLD09 | | CHEVROLET | | | | |
|----------------------|----------------------------|-----------|------|--------|-----|--|
| PART NUMBER | 96349066 | | | | | |
| REPRESENTATIVE MODEL | REZZO(TACOMA) | | | | | |
| INTERCHANGEABLE | REZZO(TACOMA)(00.01-07.02) | | | | | |
| PO | SP | WVA | FMSI | HP | TRW | |
| REAR (SHOE ASS'Y) | SA103 | | | HS2008 | | |



| FLD10 | | CHEVROLET | | | | |
|----------------------|--|-----------|------|--------|-----|--|
| PART NUMBER | 93740251 | | | | | |
| REPRESENTATIVE MODEL | KALOS(AVEO) | | | | | |
| INTERCHANGEABLE | KALOS(AVEO)(02.05-05.08), MATIZ(SPARK), CREATIVE(09.09-11.02), SPARK(09.09-), GENRA(05.09-10.05) | | | | | |
| PO | SP | WVA | FMSI | HP | TRW | |
| REAR (SHOE ASS'Y) | SA129 | | | HS2009 | | |

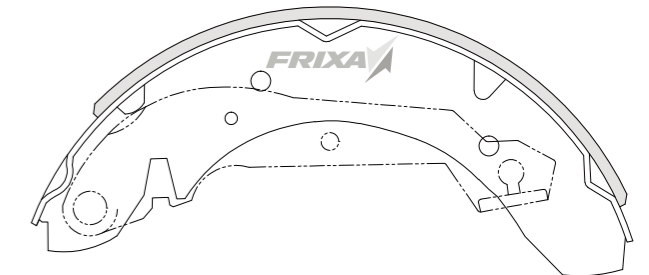
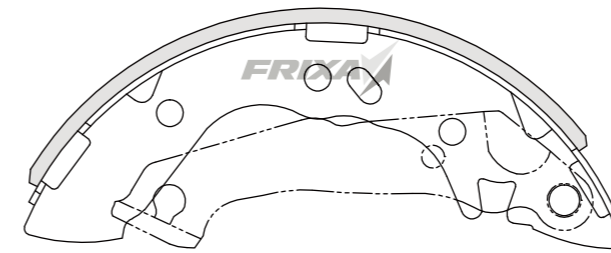
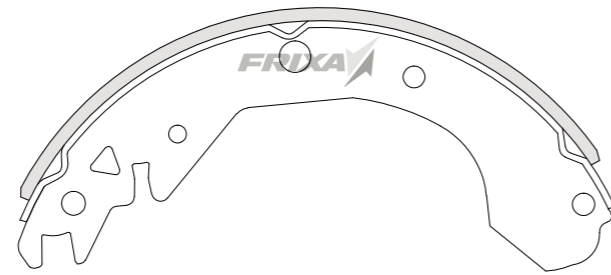
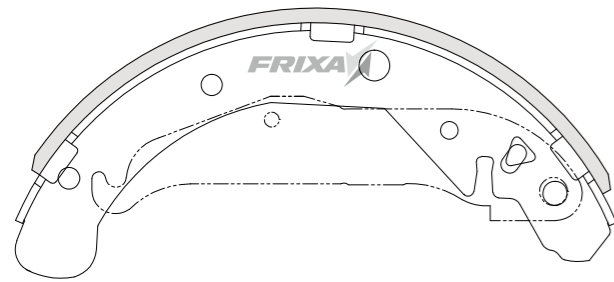


| FLD11 | | CHEVROLET | | | | |
|----------------------|-----------------------------|-----------|------|----|-----|--|
| PART NUMBER | P96446745 | | | | | |
| REPRESENTATIVE MODEL | MAGNUS(EVANDA) | | | | | |
| INTERCHANGEABLE | MAGNUS(EVANDA)(99.12-02.02) | | | | | |
| PO | SP | WVA | FMSI | HP | TRW | |
| REAR (SHOE ASS'Y) | SA119 | | | | | |

| FLD11-1 | | CHEVROLET | | | | |
|----------------------|-------------------------|-----------|------|----|-----|--|
| PART NUMBER | 96496764 | | | | | |
| REPRESENTATIVE MODEL | LACETTI | | | | | |
| INTERCHANGEABLE | LACETTI, MAGNUS(EVANDA) | | | | | |
| PO | SP | WVA | FMSI | HP | TRW | |
| PARKING BRAKE SHOE | | | | | | |

| FLH013 | | HYUNDAI | | | | |
|----------------------|---------------------|---------|------|--------|-----|--|
| PART NUMBER | 58305-22A00 | | | | | |
| REPRESENTATIVE MODEL | ACCENT | | | | | |
| INTERCHANGEABLE | ACCENT(94.04-99.10) | | | | | |
| PO | SP | WVA | FMSI | HP | TRW | |
| REAR (SHOE ASS'Y) | SA047 | | | HS0003 | | |

| FLH02 | | HYUNDAI | | | | |
|----------------------|---|---------|------|--------|--------|--|
| PART NUMBER | 58305-34A10 | | | | | |
| REPRESENTATIVE MODEL | SONATA | | | | | |
| INTERCHANGEABLE | SONATA I/II/III(88.06-98.04), STELLAR(83.07-97.01) SANTAMO(96.01-02.12), CARSTA(99.05-03.03) | | | | | |
| PO | SP | WVA | FMSI | HP | TRW | |
| REAR (SHOE ASS'Y) | SA048 | | | HS0005 | GS6152 | |

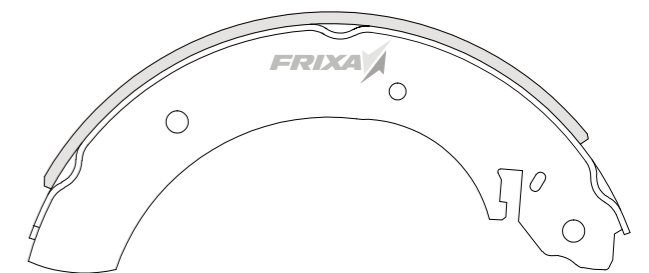
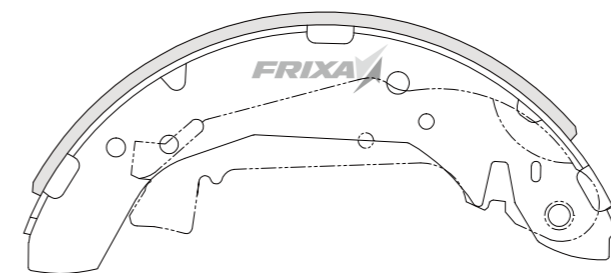
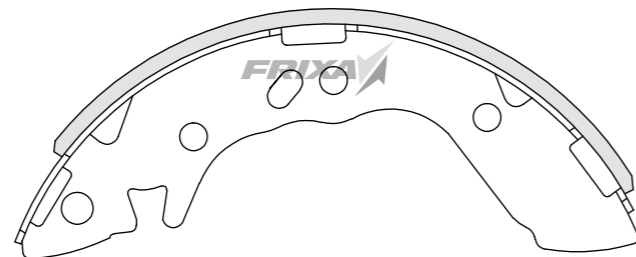
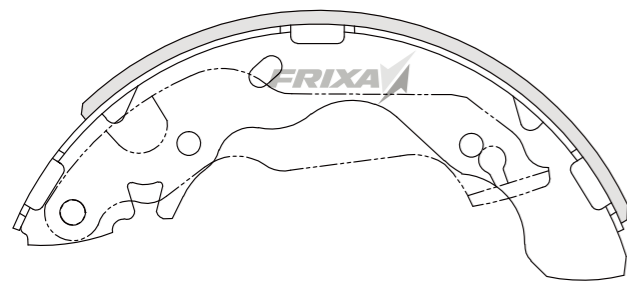


| FLH01 | | HYUNDAI | | | | |
|----------------------|---|---------|------|--------|-----|--|
| PART NUMBER | 58305-17A00 | | | | | |
| REPRESENTATIVE MODEL | AVANTE(ELANTRA) | | | | | |
| INTERCHANGEABLE | AVANTE(ELANTRA)(95.03-00.04), AVANTE(ELANTRA) XD(00.03-04.04), NEW AVANTE(ELANTRA) XD(04.05-06.05) | | | | | |
| PO | SP | WVA | FMSI | HP | TRW | |
| REAR (SHOE ASS'Y) | SA062 | | | HS0002 | | |

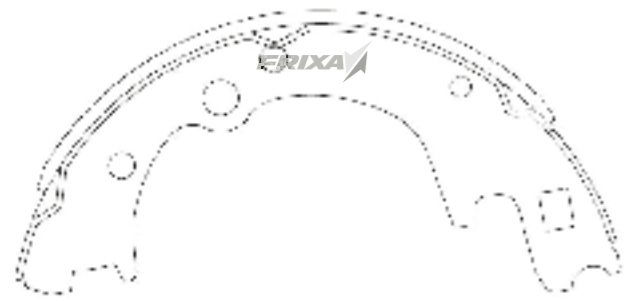
| FLH012 | | HYUNDAI | | | | |
|----------------------|---|---------|------|--------|-----|--|
| PART NUMBER | 58305-24000 | | | | | |
| REPRESENTATIVE MODEL | EXCEL | | | | | |
| INTERCHANGEABLE | EXCEL(85.02-94.07), SCOUPE(90.02-95.02) VERNA(ACCENT)(OLD)(99.06-02.07), ACCENT (LC) (00-02) | | | | | |
| PO | SP | WVA | FMSI | HP | TRW | |
| REAR (SHOE ASS'Y) | SA046 | | | HS0001 | | |

| FLH02F | | HYUNDAI | | | | |
|----------------------|--|---------|------|--------|-----|--|
| PART NUMBER | 58305-38A00 | | | | | |
| REPRESENTATIVE MODEL | EF SONATA | | | | | |
| INTERCHANGEABLE | EF SONATA(98.04-04.08), LAVITA(00.04-02.03), SANTAMO PLUS(96.01-02.12), OPTIMA(98.06-05.10) | | | | | |
| PO | SP | WVA | FMSI | HP | TRW | |
| REAR (SHOE ASS'Y) | SA111 | | | HS0007 | | |

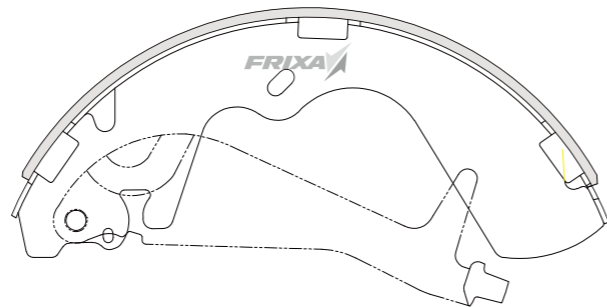
| FLH06 | | HYUNDAI | | | | |
|----------------------|--|---------|------|--------|--------|--|
| PART NUMBER | 48250-01000 | | | | | |
| REPRESENTATIVE MODEL | NEW GRACE(H100) | | | | | |
| INTERCHANGEABLE | NEW GRACE(H100)(94.05-03.12), GALLOPER(99.01-02.01) MUSSO(02.03-08.08), ISTANA(95.-03.06) | | | | | |
| PO | SP | WVA | FMSI | HP | TRW | |
| REAR (SHOE ASS'Y) | SA072-GR | | | HS0012 | GS8155 | |



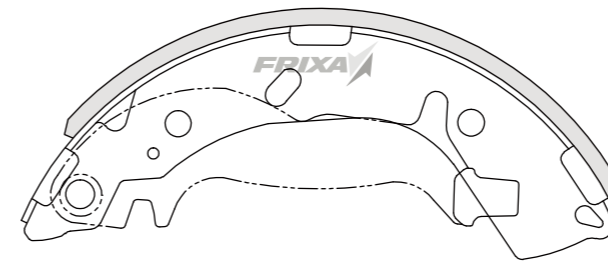
| FLH07 | | HYUNDAI | | | | |
|----------------------|---------------------|---------|------|--------|-----|--|
| PART NUMBER | 58305-4BA00 | | | | | |
| REPRESENTATIVE MODEL | PORTER | | | | | |
| INTERCHANGEABLE | PORTER(96.03-03.12) | | | | | |
| PO | SP | WVA | FMSI | HP | TRW | |
| REAR (SHOE ASS'Y) | SA072-PO | | | HS0011 | | |



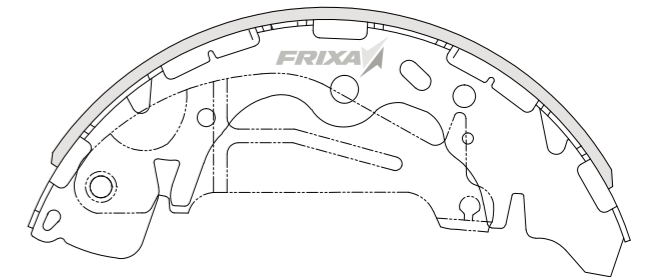
| FLH09 | | HYUNDAI | | | | |
|----------------------|---|---------|------|--------|--------|--|
| PART NUMBER | 58305-4AA00 | | | | | |
| REPRESENTATIVE MODEL | STAREX(H1) | | | | | |
| INTERCHANGEABLE | STAREX(H1)(97.03-02.09), GALLOPER II(02.01-03.12) | | | | | |
| PO | SP | WVA | FMSI | HP | TRW | |
| REAR (SHOE ASS'Y) | SA099 | | | HS0009 | GS8696 | |



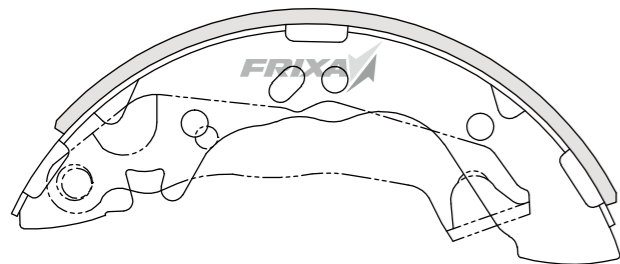
| FLH12 | | HYUNDAI | | | | |
|----------------------|--------------------------|---------|------|----|--------|--|
| PART NUMBER | 58305-1CA00 | | | | | |
| REPRESENTATIVE MODEL | CLICK(GETZ) | | | | | |
| INTERCHANGEABLE | CLICK(GETZ)(02.05-07.05) | | | | | |
| PO | SP | WVA | FMSI | HP | TRW | |
| REAR (SHOE ASS'Y) | SA132 | | | | GS8737 | |



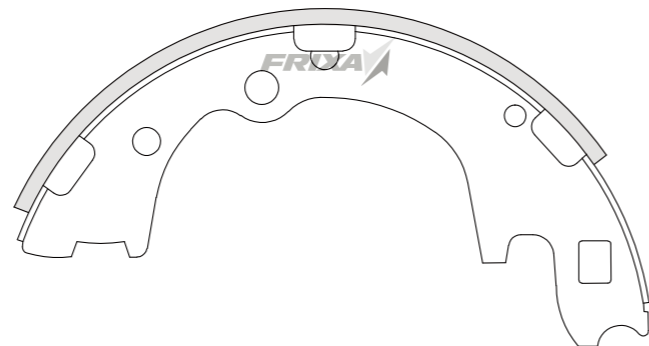
| FLH13 | | HYUNDAI | | | | |
|----------------------|--------------------------|---------|-------|--------|-----|--|
| PART NUMBER | 58305-4AA20 | | | | | |
| REPRESENTATIVE MODEL | STAREX(H1) NEW | | | | | |
| INTERCHANGEABLE | STAREX(NEW)(02.12-07.05) | | | | | |
| PO | SP | WVA | FMSI | HP | TRW | |
| REAR (SHOE ASS'Y) | SA130 | | S1003 | HS0010 | | |



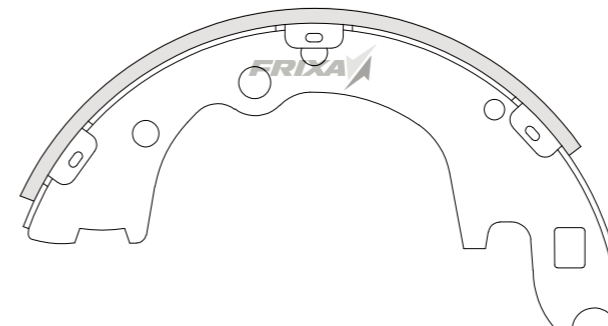
| FLH10 | | HYUNDAI | | | | |
|----------------------|---|---------|------|--------|--------|--|
| PART NUMBER | 58305-02500 | | | | | |
| REPRESENTATIVE MODEL | ATOZ(SANTRO) | | | | | |
| INTERCHANGEABLE | ATOZ(SANTRO)(97.09-02.12), VISTO(98.02-04.01) | | | | | |
| PO | SP | WVA | FMSI | HP | TRW | |
| REAR (SHOE ASS'Y) | SA096 | | | HS0008 | GS8659 | |



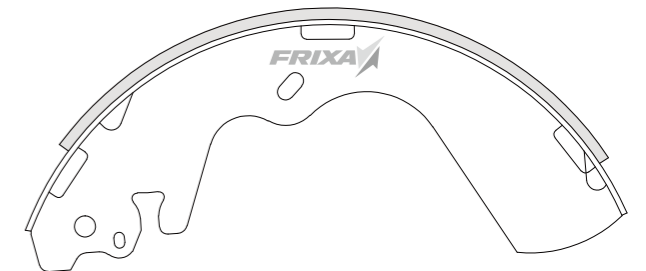
| FLH11 | | HYUNDAI | | | | |
|----------------------|---------------------|---------|------|--------|-----|--|
| PART NUMBER | 58305-47A00 | | | | | |
| REPRESENTATIVE MODEL | LIBERO | | | | | |
| INTERCHANGEABLE | LIBERO(97.03-03.11) | | | | | |
| PO | SP | WVA | FMSI | HP | TRW | |
| REAR (SHOE ASS'Y) | SA100 | | | HS0013 | | |



| FLH14 | | HYUNDAI | | | | |
|----------------------|--|---------|------|----|--------|--|
| PART NUMBER | 58305-4FA01 | | | | | |
| REPRESENTATIVE MODEL | PORTER II(LOW DECK) | | | | | |
| INTERCHANGEABLE | PORTER II(LOW DECK)(04.01-), BONGO III(LOW DECK)(04.01-) | | | | | |
| PO | SP | WVA | FMSI | HP | TRW | |
| REAR (SHOE ASS'Y) | SA135 | | | | GS8428 | |



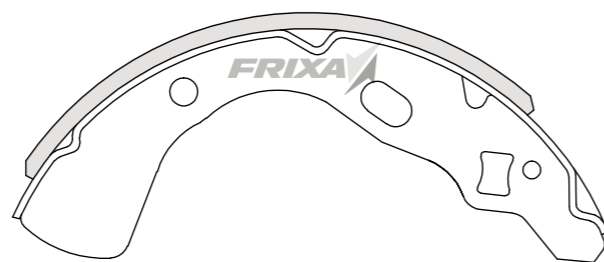
| FLH16 | | HYUNDAI | | | | |
|----------------------|-------------------|---------|------|----|-----|--|
| PART NUMBER | 58305-4BA20 | | | | | |
| REPRESENTATIVE MODEL | PORTER(HIGH DECK) | | | | | |
| INTERCHANGEABLE | | | | | | |
| PO | SP | WVA | FMSI | HP | TRW | |
| REAR (SHOE ASS'Y) | SA140 | | | | | |



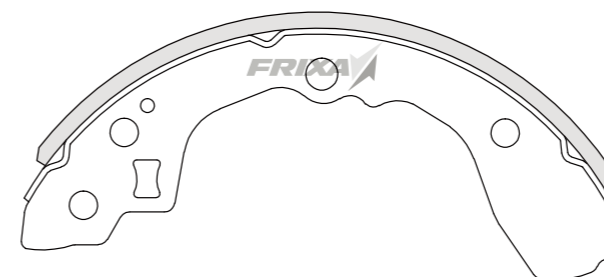
| FLH17 | | HYUNDAI | | | | |
|----------------------|---------------------------|---------|------|----|-----|--|
| PART NUMBER | 58305-4HA00 | | | | | |
| REPRESENTATIVE MODEL | GRAND STAREX(H1) | | | | | |
| INTERCHANGEABLE | GRAND STAREX(H1)(07.05-) | | | | | |
| PO | SP | WVA | FMSI | HP | TRW | |
| REAR (SHOE ASS'Y) | SA141 | | | | | |



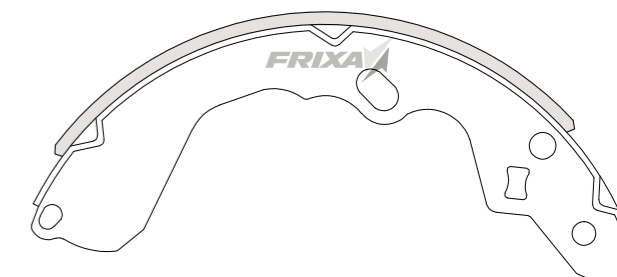
| FLK01 | | KIA | | | | |
|----------------------|---------------------|-----|------|--------|--------|--|
| PART NUMBER | KK150-26310 | | | | | |
| REPRESENTATIVE MODEL | PRIDE | | | | | |
| INTERCHANGEABLE | PRIDE/BETA(86.-99.) | | | | | |
| PO | SP | WVA | FMSI | HP | TRW | |
| REAR (SHOE ASS'Y) | SA049 | | | HS1001 | GS8519 | |



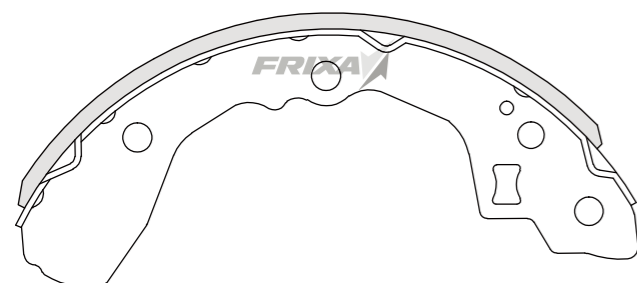
| FLK03 | | KIA | | | | |
|----------------------|--|-----|------|--------|--------|--|
| PART NUMBER | OK23N-2638Z | | | | | |
| REPRESENTATIVE MODEL | SEPHIA | | | | | |
| INTERCHANGEABLE | SEPHIA(NEW)I(97.03-00.06), SPECTRA(01.02-03.07) SHUMA(97.03-99.) | | | | | |
| PO | SP | WVA | FMSI | HP | TRW | |
| REAR (SHOE ASS'Y) | SA053 | | | HS1006 | GS8692 | |



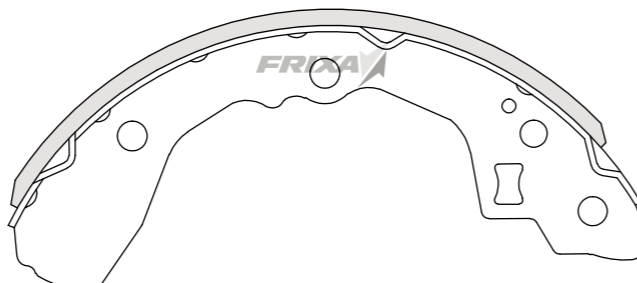
| FLK04 | | KIA | | | | |
|----------------------|---|-----|------|--------|-----|--|
| PART NUMBER | OK2FA-2638Z | | | | | |
| REPRESENTATIVE MODEL | CARENS(RONDO) | | | | | |
| INTERCHANGEABLE | CREDOS I/III(95.03-00.07), CARENS(RONDO) I/III(99.06-06.03) | | | | | |
| PO | SP | WVA | FMSI | HP | TRW | |
| REAR (SHOE ASS'Y) | SA079 | | | HS1007 | | |



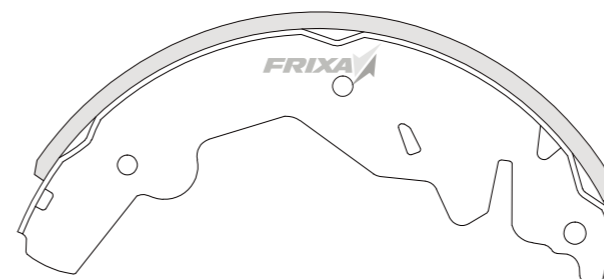
| FLK02 | | KIA | | | | |
|----------------------|--|-----|------|----|-----|--|
| PART NUMBER | OK917-2638Z | | | | | |
| REPRESENTATIVE MODEL | CONCORD | | | | | |
| INTERCHANGEABLE | CONCORD(87.-96.01), CAPITAL(89.-96.01) | | | | | |
| PO | SP | WVA | FMSI | HP | TRW | |
| REAR (SHOE ASS'Y) | SA052 | | | | | |



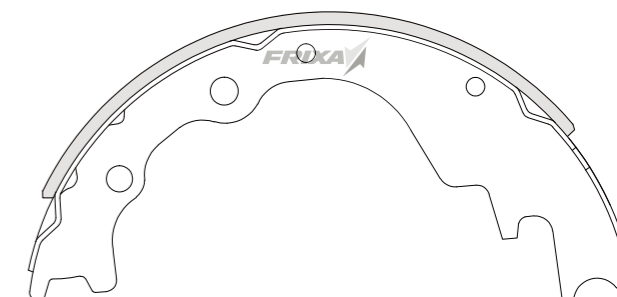
| FLKT02 | | KIA | | | | |
|----------------------|------------------------------------|-----|------|----|-----|--|
| PART NUMBER | OK201-26-38Z | | | | | |
| REPRESENTATIVE MODEL | CONCORD for Taxi | | | | | |
| INTERCHANGEABLE | CONCORD(87.-96.01), SEPIA, TOWNER, | | | | | |
| PO | SP | WVA | FMSI | HP | TRW | |
| REAR (SHOE ASS'Y) | SA051 | | | | | |



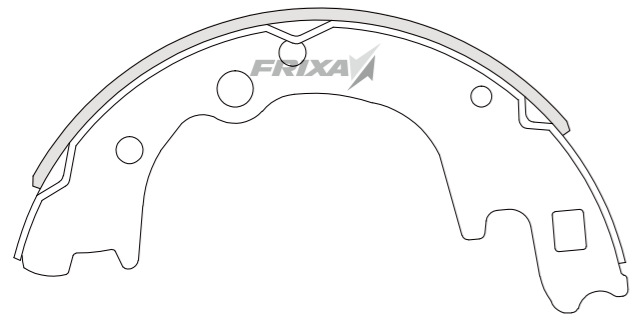
| FLK07 | | KIA | | | | |
|----------------------|-----------------------|-----|------|--------|-----|--|
| PART NUMBER | OK011-2638Z | | | | | |
| REPRESENTATIVE MODEL | SPORTAGE | | | | | |
| INTERCHANGEABLE | SPORTAGE(93.06-99.02) | | | | | |
| PO | SP | WVA | FMSI | HP | TRW | |
| REAR (SHOE ASS'Y) | SA070 | | | HS1008 | | |



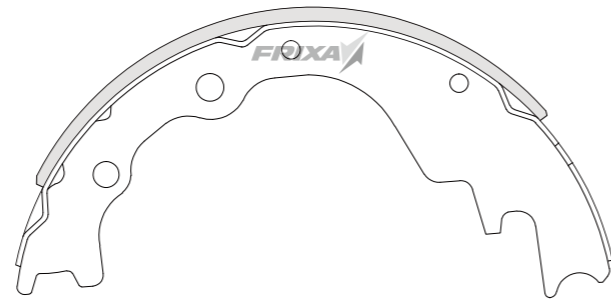
| FLK08 | | KIA | | | | |
|----------------------|---|-----|------|--------|--------|--|
| PART NUMBER | OK70Y-2638Z | | | | | |
| REPRESENTATIVE MODEL | BESTA | | | | | |
| INTERCHANGEABLE | BESTA(87.07-97.04), TOPIC(87.-91.), BONGO(NEW)(94.-94.04) PORTER III(HIGH DECK)(04.01-), BONGO III(HIGH DECK)(04.01-) | | | | | |
| PO | SP | WVA | FMSI | HP | TRW | |
| REAR (SHOE ASS'Y) | SA044 | | | HS1011 | GS8523 | |



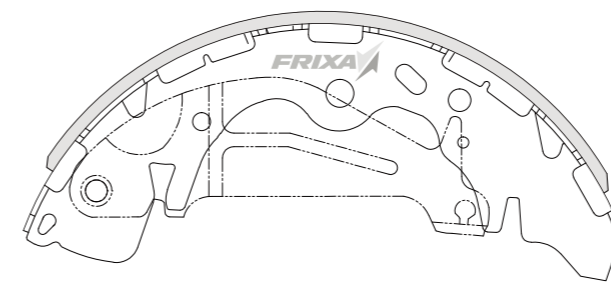
| FLK082 | | KIA | | | | |
|----------------------|---|-----|------|--------|--------|--|
| PART NUMBER | 0K71F-3328Z | | | | | |
| REPRESENTATIVE MODEL | WIDE BONGO | | | | | |
| INTERCHANGEABLE | WIDE BONGO(94.01-97.06), FRONTIER1.3TON(NEW)(01.-03.12) FRONTIER1.4TON(NEW)(01.-03.12) | | | | | |
| PO | SP | WVA | FMSI | HP | TRW | |
| REAR (SHOE ASS'Y) | SA045 | | | HS1010 | GS8428 | |



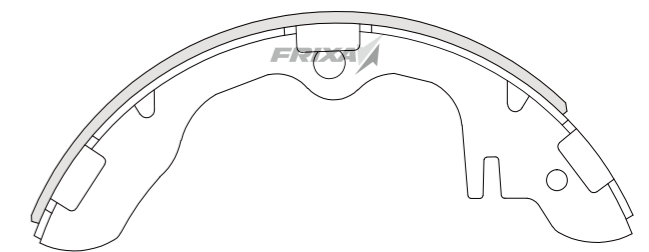
| FLK10 | | KIA | | | | |
|----------------------|---------------------|-----|------|--------|-----|--|
| PART NUMBER | 0K72A-2638Z | | | | | |
| REPRESENTATIVE MODEL | PREGIO | | | | | |
| INTERCHANGEABLE | PREGIO(95.10-98.05) | | | | | |
| PO | SP | WVA | FMSI | HP | TRW | |
| REAR (SHOE ASS'Y) | SA044 | | | HS1011 | | |



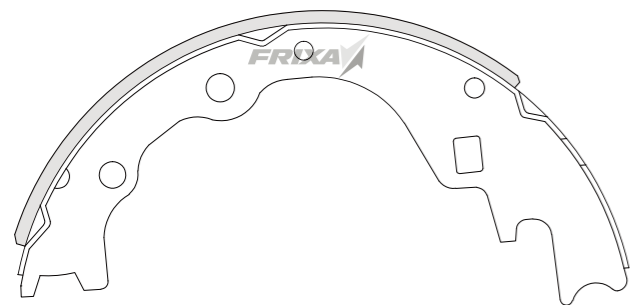
| FLK13N | | KIA | | | | |
|----------------------|---|-----|------|--------|--------|--|
| PART NUMBER | 0K56A-2638Z | | | | | |
| REPRESENTATIVE MODEL | CARNIVAL(SEDONA)(NEW) | | | | | |
| INTERCHANGEABLE | CARNIVAL(SEDONA) II(99.01-03.12), TRAJET XG(01.09-03.12) | | | | | |
| PO | SP | WVA | FMSI | HP | TRW | |
| REAR (SHOE ASS'Y) | SA020 | | | HS1014 | GS8441 | |



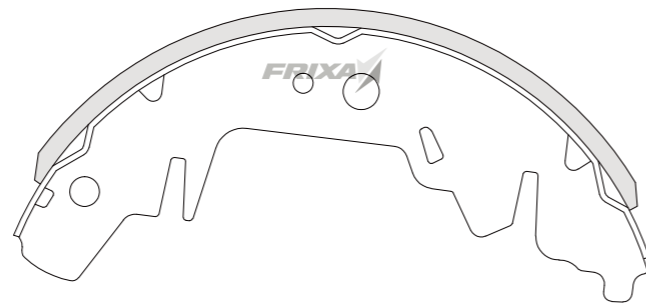
| FLK14 | | KIA | | | | |
|----------------------|----------------------------------|-----|------|----|--------|--|
| PART NUMBER | 01823-2638Z | | | | | |
| REPRESENTATIVE MODEL | CERES | | | | | |
| INTERCHANGEABLE | CERES(83.-94.), BONGO(OLD)(-94.) | | | | | |
| PO | SP | WVA | FMSI | HP | TRW | |
| REAR (SHOE ASS'Y) | SA015 | | | | GS8120 | |



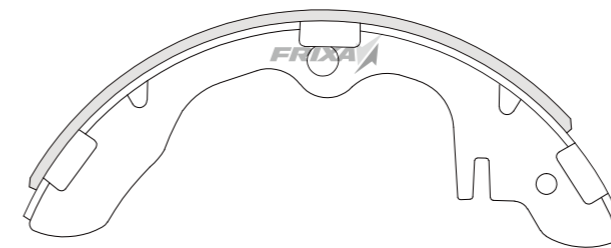
| FLK10N | | KIA | | | | |
|----------------------|---|-----|------|--------|-----|--|
| PART NUMBER | 0K79A-2638Z | | | | | |
| REPRESENTATIVE MODEL | PREGIO GRAND | | | | | |
| INTERCHANGEABLE | NEW PREGIO(98.06-03.02), BONGO III VAN(15SEAT)(04.01-) | | | | | |
| PO | SP | WVA | FMSI | HP | TRW | |
| REAR (SHOE ASS'Y) | SA127 | | | HS1013 | | |



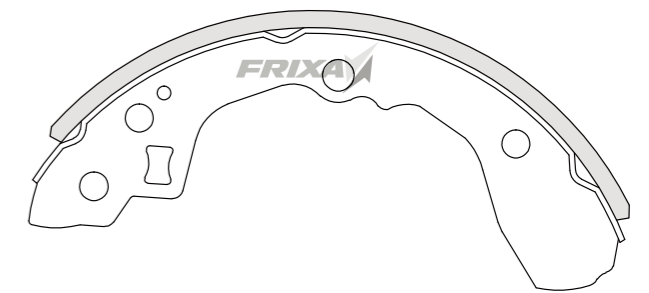
| FLK13 | | KIA | | | | |
|----------------------|--|-----|--------------|--------|--------|--|
| PART NUMBER | 0K552-2638Z | | | | | |
| REPRESENTATIVE MODEL | CARNIVAL(SEDONA) | | | | | |
| INTERCHANGEABLE | CARNIVAL(SEDONA)(98.01-99.01), TRAJET XG(99.12-01.08) | | | | | |
| PO | SP | WVA | FMSI | HP | TRW | |
| REAR (SHOE ASS'Y) | SA112 | | S714-1485ATT | HS1012 | GS8643 | |



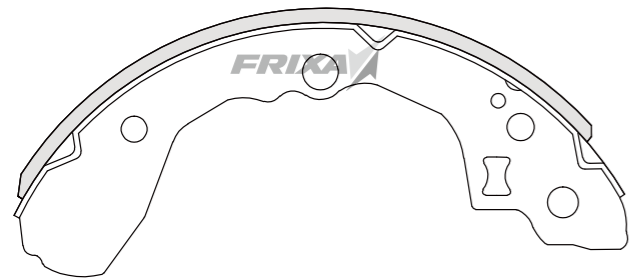
| FLK14N | | KIA | | | | |
|----------------------|---------------------|-----|------|----|-----|--|
| PART NUMBER | 0K68A-3328Z | | | | | |
| REPRESENTATIVE MODEL | CERES(NEW) | | | | | |
| INTERCHANGEABLE | CERES(NEW)(94.-96.) | | | | | |
| PO | SP | WVA | FMSI | HP | TRW | |
| REAR (SHOE ASS'Y) | SA019 | | | | | |



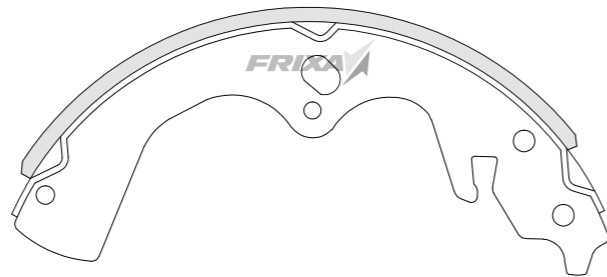
| FLK15 | | KIA | | | | |
|----------------------|------------------|-----|------|--------|-----|--|
| PART NUMBER | 0K30A-2628Z | | | | | |
| REPRESENTATIVE MODEL | RIO | | | | | |
| INTERCHANGEABLE | RIO(99.11-02.05) | | | | | |
| PO | SP | WVA | FMSI | HP | TRW | |
| REAR (SHOE ASS'Y) | SA137 | | | HS1002 | | |



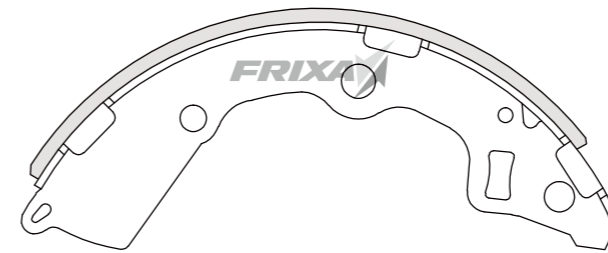
| FLK15N | | KIA | | | | |
|----------------------|---------------------|-----|------|--------|-----|--|
| PART NUMBER | 0K30B-2628Z | | | | | |
| REPRESENTATIVE MODEL | RIO SF | | | | | |
| INTERCHANGEABLE | RIO SF(02.06-05.04) | | | | | |
| PO | SP | WVA | FMSI | HP | TRW | |
| REAR (SHOE ASS'Y) | SA134 | | | HS1003 | | |



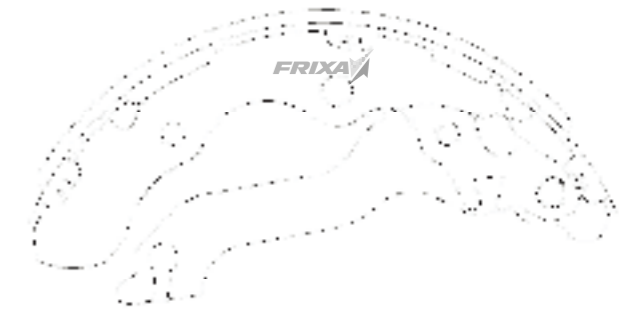
| FLK16 | | KIA | | | | |
|----------------------|--|-----|------|----|--------|--|
| PART NUMBER | 0K045-2638Z | | | | | |
| REPRESENTATIVE MODEL | ROCSTA R2 | | | | | |
| INTERCHANGEABLE | ROCSTA R2(92.-97.), SPORTAGE GRAND(00.-02.), RETONA(00.-02.) | | | | | |
| PO | SP | WVA | FMSI | HP | TRW | |
| REAR (SHOE ASS'Y) | SA018 | | | | GS8682 | |



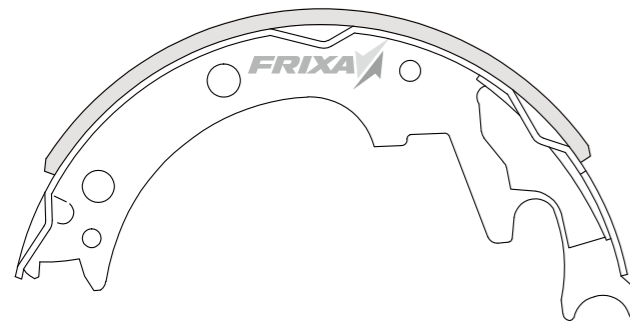
| FLK19 | | KIA | | | | |
|----------------------|---------------------------|-----|------|----|--------|--|
| PART NUMBER | 58350-07A00 | | | | | |
| REPRESENTATIVE MODEL | MORNING(PICANTO) | | | | | |
| INTERCHANGEABLE | MORNING(PICANTO)(04.01-) | | | | | |
| PO | SP | WVA | FMSI | HP | TRW | |
| REAR (SHOE ASS'Y) | SA154 | | | | GS8754 | |



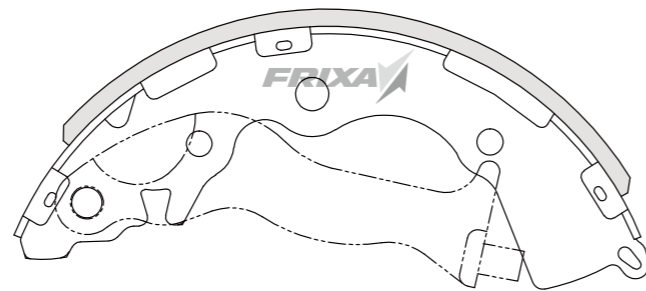
| FLK20 | | KIA | | | | |
|----------------------|----------------|-----|------|----|-----|--|
| PART NUMBER | 58350-1MA00 | | | | | |
| REPRESENTATIVE MODEL | FORTE | | | | | |
| INTERCHANGEABLE | FORTE(08.08-) | | | | | |
| PO | SP | WVA | FMSI | HP | TRW | |
| REAR (SHOE ASS'Y) | SA155 | | | | | |



| FLK17 | | KIA | | | | |
|----------------------|--|-----|------|----|-----|--|
| PART NUMBER | K611-2638Z | | | | | |
| REPRESENTATIVE MODEL | FRONTIER1.3 | | | | | |
| INTERCHANGEABLE | FRONTIER1.3TON(OLD)(99.06-01.), FRONTIER1.4TON(OLD)(99.06-01.) | | | | | |
| PO | SP | WVA | FMSI | HP | TRW | |
| REAR (SHOE ASS'Y) | | | | | | |



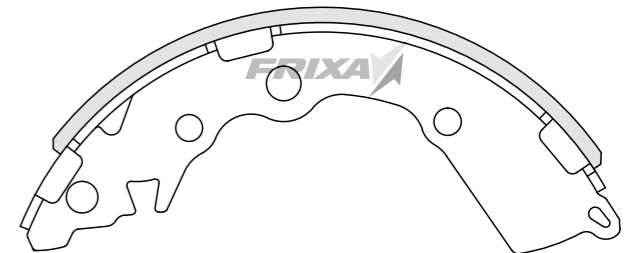
| FLK18 | | KIA | | | | |
|----------------------|--|-----|-----------|----|--------|--|
| PART NUMBER | 58305-1GA00 | | | | | |
| REPRESENTATIVE MODEL | PRIDE(NEW) | | | | | |
| INTERCHANGEABLE | PRIDE 05MY(NEW RIO) (05.08-11.10), VERNA(ACCENT) 05MY(05.08-10.12) | | | | | |
| PO | SP | WVA | FMSI | HP | TRW | |
| REAR (SHOE ASS'Y) | SA153 | | S910-1616 | | GS8766 | |



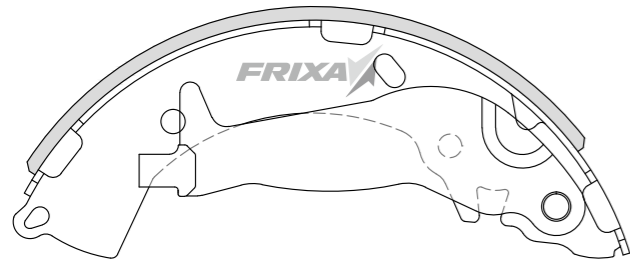
| FLK21 | | KIA | | | | |
|----------------------|-------------|-----|------|----|-----|--|
| PART NUMBER | 58350-2KA00 | | | | | |
| REPRESENTATIVE MODEL | SOUL | | | | | |
| INTERCHANGEABLE | SOUL | | | | | |
| PO | SP | WVA | FMSI | HP | TRW | |
| REAR (SHOE ASS'Y) | | | | | | |



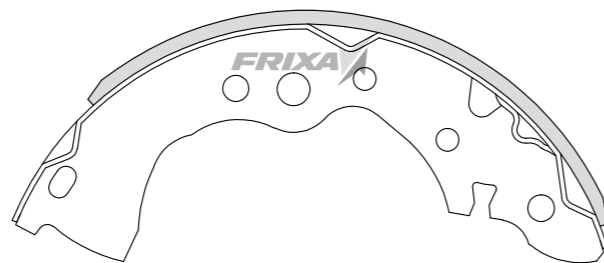
| FLK22 | | KIA | | | | |
|----------------------|------------------------|-----|------|----|-----|--|
| PART NUMBER | 58350-1YA00 | | | | | |
| REPRESENTATIVE MODEL | PICANTO 11MY R | | | | | |
| INTERCHANGEABLE | PICANTO 11MY (11.02-) | | | | | |
| PO | SP | WVA | FMSI | HP | TRW | |
| REAR (SHOE ASS'Y) | SA156 | | | | | |



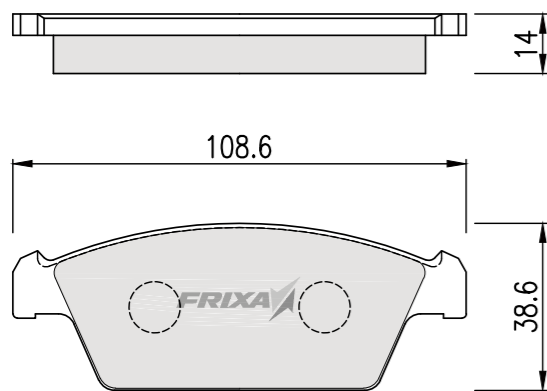
| FLK23(FLE18) | | KIA | | | |
|----------------------|---------------|-----|------|----|--------|
| PART NUMBER | 58305-3XA00 | | | | |
| REPRESENTATIVE MODEL | ALL NEW PRIDE | | | | |
| INTERCHANGEABLE | ALL NEW PRIDE | | | | |
| PO | SP | WVA | FMSI | HP | TRW |
| REAR (SHOE ASS'Y) | SA133 | | | | GS8785 |



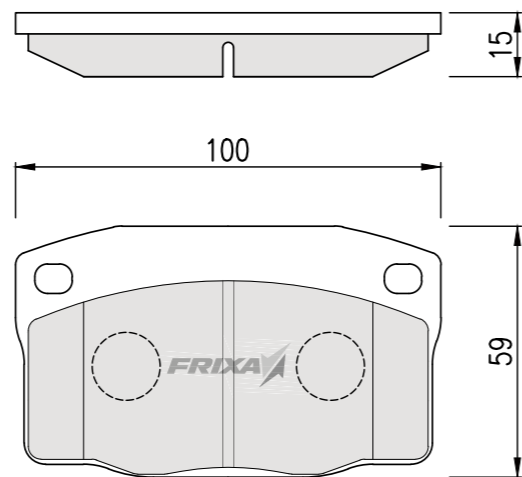
| FLS01 | | RENAULT SAMSUNG | | | |
|----------------------|---------------|-----------------|------|----|-----|
| PART NUMBER | 48430-31010K0 | | | | |
| REPRESENTATIVE MODEL | SM-3 | | | | |
| INTERCHANGEABLE | SM-3(02.-) | | | | |
| PO | SP | WVA | FMSI | HP | TRW |
| REAR (SHOE ASS'Y) | SA131 | | | | |



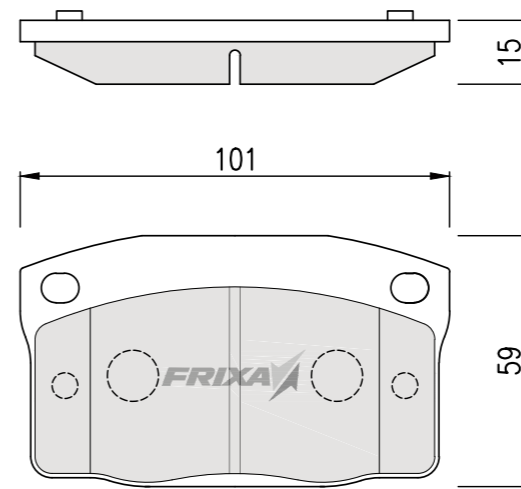
| FPD01 | | CHEVROLET | | | |
|----------------------|-----------------|-----------|------|--------|---------|
| PART NUMBER | 4BP3659-08264 | | | | |
| REPRESENTATIVE MODEL | TICO | | | | |
| INTERCHANGEABLE | TICO(91.-00.09) | | | | |
| PO | SP | WVA | FMSI | HP | TRW |
| FRONT (PAD) | SP1050 | 23061 | | HP2001 | GDB3108 |



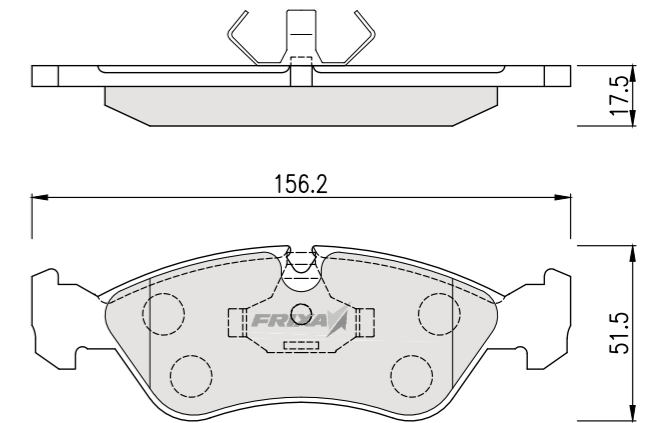
| FPD02 | | CHEVROLET | | | |
|----------------------|---|-----------|-----------|--------|--------|
| PART NUMBER | 96101972S | | | | |
| REPRESENTATIVE MODEL | LEMANS | | | | |
| INTERCHANGEABLE | LEMANS(86.-97.) ROYALE PRINCE(-92.), BROUGHAM(93.-95.) | | | | |
| PO | SP | WVA | FMSI | HP | TRW |
| FRONT (PAD) | SP1055 | 20939 | D378-7267 | HP2003 | GDB199 |



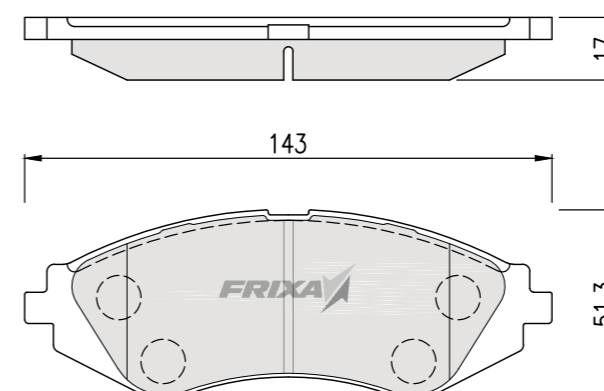
| FPD03 | | CHEVROLET | | | |
|----------------------|--|-----------|-----------|--------|--------|
| PART NUMBER | 96133555S | | | | |
| REPRESENTATIVE MODEL | ESPERO1.5 | | | | |
| INTERCHANGEABLE | ESPERO1.5(90.10-96.12), CIELO(94.-97.) NEXIA(95.-97.) | | | | |
| PO | SP | WVA | FMSI | HP | TRW |
| FRONT (PAD) | SP1055 | 20939 | D378-7267 | HP2003 | GDB199 |



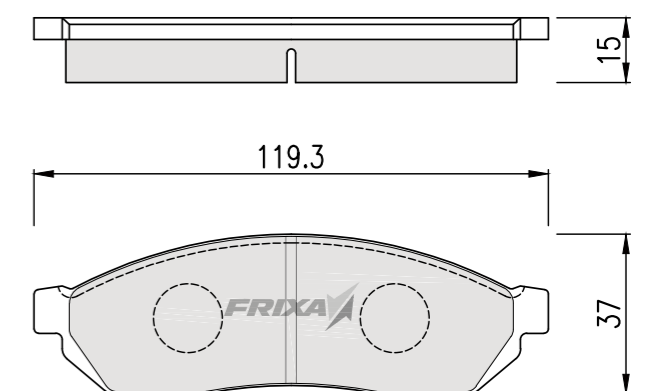
| FPD05 | | CHEVROLET | | | |
|----------------------|-----------------------------------|-----------|-----------|--------|--------|
| PART NUMBER | 11046952012 | | | | |
| REPRESENTATIVE MODEL | ESPERO2.0 | | | | |
| INTERCHANGEABLE | ESPERO2.0(TEVESE), PRINCE(TEVESE) | | | | |
| PO | SP | WVA | FMSI | HP | TRW |
| FRONT (PAD) | SP1078 | 21190 | D796-7666 | HP2004 | GDB951 |



| FPD06 | | CHEVROLET | | | |
|----------------------|---|-----------|------|--------|---------|
| PART NUMBER | 96281937 | | | | |
| REPRESENTATIVE MODEL | NEW PRINCE | | | | |
| INTERCHANGEABLE | NEW PRINCE(92.-97.), LANOS DOHC(96.-03.) BROUGHAM(NEW)(95.-97.), NUBIRA, ESPERO, CIELO | | | | |
| PO | SP | WVA | FMSI | HP | TRW |
| FRONT (PAD) | SP1077 | | | HP2005 | GDB3265 |

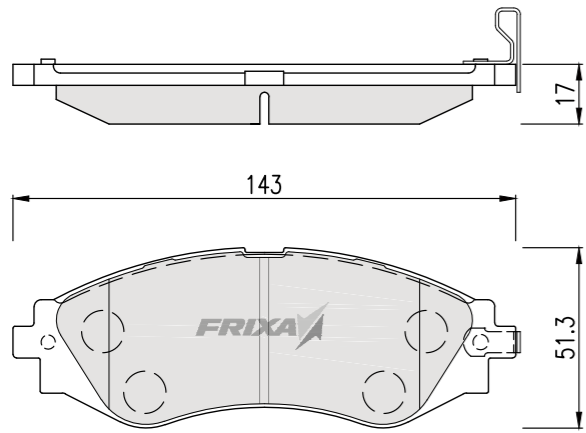


| FPD07 | | CHEVROLET | | | |
|----------------------|--|-----------|-----------|--------|--------|
| PART NUMBER | 45022-SA0999HE | | | | |
| REPRESENTATIVE MODEL | DAMAS | | | | |
| INTERCHANGEABLE | DAMAS(92.-03.08), DAMAS II(03.09-), LABO(92.-02.) | | | | |
| PO | SP | WVA | FMSI | HP | TRW |
| FRONT (PAD) | SP1059 | 20731 | D177-7104 | HP2013 | GDB254 |



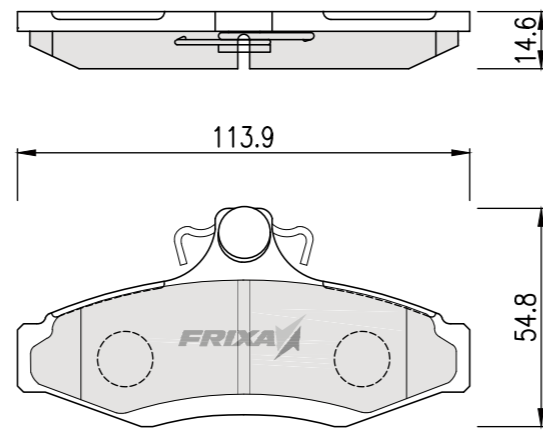
FPD08 CHEVROLET

| | | | | | |
|----------------------|--|-------|-----------|--------|---------|
| PART NUMBER | S4510009N | | | | |
| REPRESENTATIVE MODEL | LEGANZA | | | | |
| INTERCHANGEABLE | LEGANZA(97.12-02.04), NUBIRA DOHC(97.-99.), NUBIRA II(99.-03.) | | | | |
| PO | SP | WVA | FMSI | HP | TRW |
| FRONT (PAD) | SP1102 | 23234 | D797-7668 | HP2006 | GDB3216 |



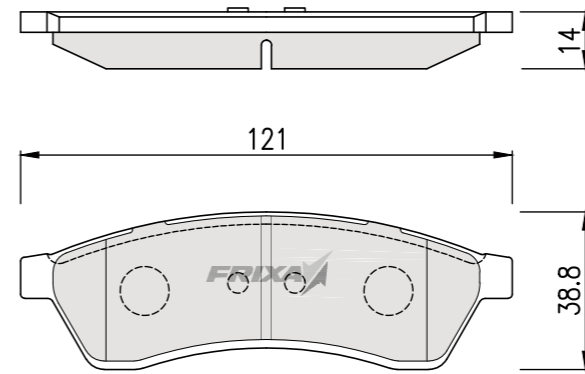
FPD08R CHEVROLET

| | | | | | |
|----------------------|-----------------------------------|-------|-----------|--------|---------|
| PART NUMBER | 96245179 | | | | |
| REPRESENTATIVE MODEL | LEGANZA R | | | | |
| INTERCHANGEABLE | LEGANZA(97.-03.), NUBIRA(97.-03.) | | | | |
| PO | SP | WVA | FMSI | HP | TRW |
| REAR (PAD) | SP1114 | 23237 | D724-7591 | HP2007 | GDB3172 |



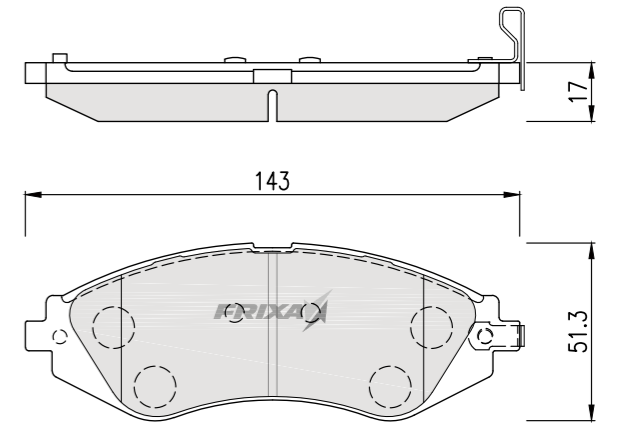
FPD10R CHEVROLET

| | | | | | |
|----------------------|---|-------|------------|--------|---------|
| PART NUMBER | 55500-86Z00 | | | | |
| REPRESENTATIVE MODEL | MAGNUS(EVANDA) R | | | | |
| INTERCHANGEABLE | MAGNUS(EVANDA)(99.12-06.01), TOSCA(EPICA)(06.02-10.12), EPICA(11.03-) | | | | |
| PO | SP | WVA | FMSI | HP | TRW |
| REAR (PAD) | SP1252 | 23994 | D1030-7935 | HP2009 | GDB3346 |



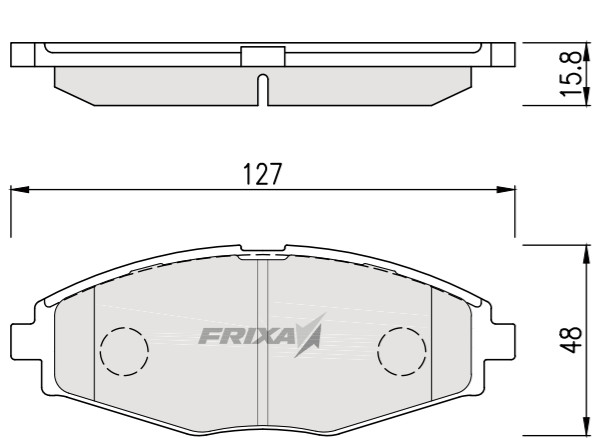
FPD12 CHEVROLET

| | | | | | |
|----------------------|--|-------|-----------|--------|---------|
| PART NUMBER | 96405129 | | | | |
| REPRESENTATIVE MODEL | LACETTI(OPTRA) | | | | |
| INTERCHANGEABLE | LACETTI(OPTRA)(02.11-), GENTRA X(14*)(07.10-10.05) | | | | |
| PO | SP | WVA | FMSI | HP | TRW |
| FRONT (PAD) | SP1159 | 23234 | D902-7779 | HP2012 | GDB3171 |



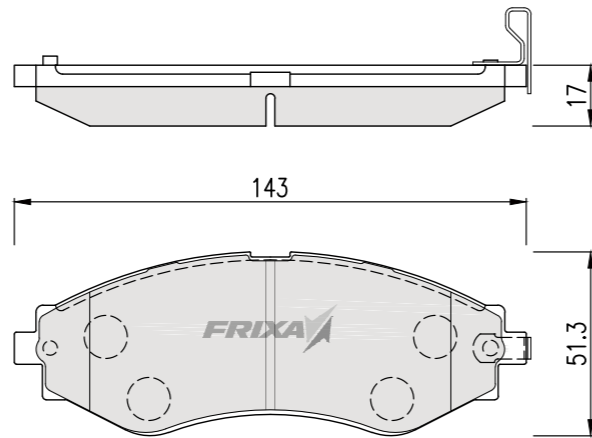
FPD09 CHEVROLET

| | | | | | |
|----------------------|---|-------|------------|--------|---------|
| PART NUMBER | 96281945 | | | | |
| REPRESENTATIVE MODEL | MATIZ(SPARK) | | | | |
| INTERCHANGEABLE | LANOS SOHC(96.-03.), MATIZ(SPARK) I/II/III(98.-09.08) | | | | |
| PO | SP | WVA | FMSI | HP | TRW |
| FRONT (PAD) | SP1086 | 23241 | 8433-D1321 | HP2002 | GDB3195 |



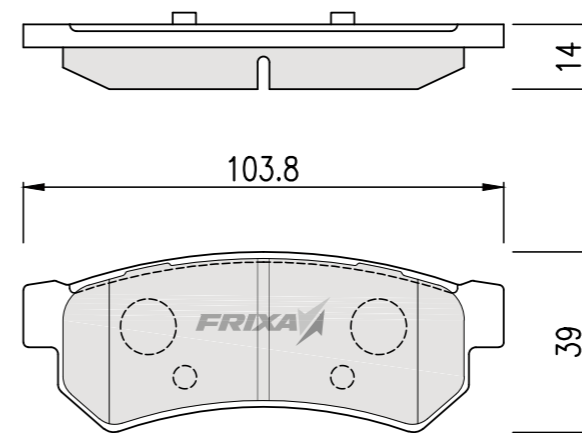
FPD10 CHEVROLET

| | | | | | |
|----------------------|--|-------|------|--------|---------|
| PART NUMBER | 96349059 | | | | |
| REPRESENTATIVE MODEL | MAGNUS(EVANDA) | | | | |
| INTERCHANGEABLE | MAGNUS(EVANDA)(99.12-02.02), MAGNUS(EVANDA) L6 2.0(02.03-06.01), | | | | |
| PO | SP | WVA | FMSI | HP | TRW |
| FRONT (PAD) | SP1103 | 24062 | | HP2008 | GDB3345 |



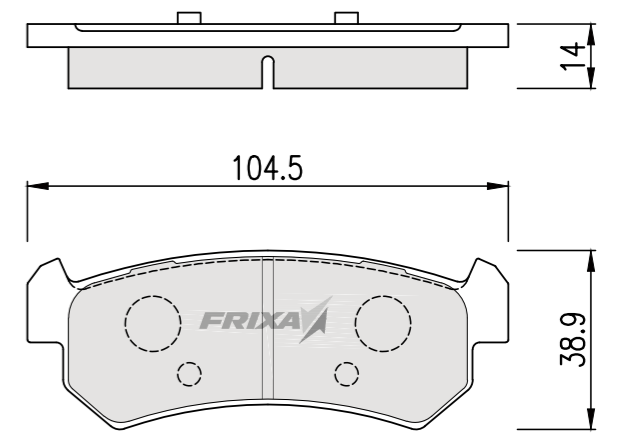
FPD12NR CHEVROLET

| | | | | | |
|----------------------|----------------------------------|-----|------------|----|-----|
| PART NUMBER | 55500-85Z10 | | | | |
| REPRESENTATIVE MODEL | LACETTI(OPTRA) 06MY R | | | | |
| INTERCHANGEABLE | LACETTI(OPTRA) 06MY(06.05-10.11) | | | | |
| PO | SP | WVA | FMSI | HP | TRW |
| REAR (PAD) | SP1257 | | D1315-7939 | | |



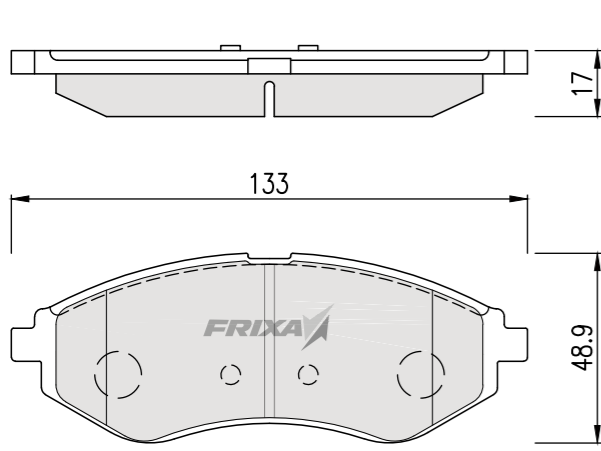
FPD12R CHEVROLET

| | | | | | |
|----------------------|-----------------------------|-------|------------|--------|---------|
| PART NUMBER | 55500-85Z00 | | | | |
| REPRESENTATIVE MODEL | LACETTI(OPTRA) R | | | | |
| INTERCHANGEABLE | LACETTI(OPTRA)(02.11-06.04) | | | | |
| PO | SP | WVA | FMSI | HP | TRW |
| REAR (PAD) | SP1160 | 24071 | D1036-7939 | HP1024 | GDB3348 |



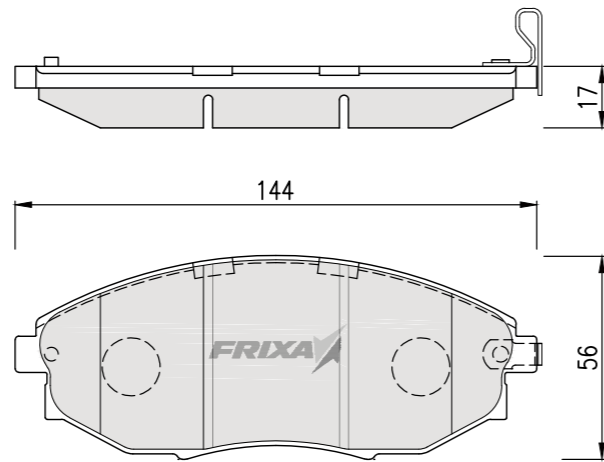
FPD13 CHEVROLET

| | | | | | |
|----------------------|--|-------|------------|--------|---------|
| PART NUMBER | 94566892 | | | | |
| REPRESENTATIVE MODEL | KALOS(AVEO) | | | | |
| INTERCHANGEABLE | KALOS(AVEO)(02.05-05.08), GENTRA(05.09-10.05) GENTRA X(13") (07.10-10.05), NUBIRA SOCH(97.02-02.10) | | | | |
| PO | SP | WVA | FMSI | HP | TRW |
| FRONT (PAD) | SP1158 | 23974 | D1269-8385 | HP2011 | GDB3330 |



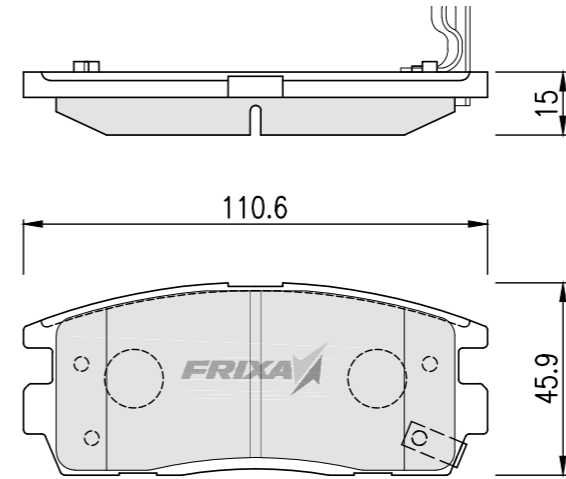
FPD(T)14 CHEVROLET

| | | | | | |
|----------------------|--|-----|------------|----|-----|
| PART NUMBER | 96475026 | | | | |
| REPRESENTATIVE MODEL | TOSCA(EPICA) | | | | |
| INTERCHANGEABLE | TOSCA(EPICA)(06.02-10.12) MAGNUS(EVANDA) L6 2.5(02.12-06.01), EPICA(11.03-) | | | | |
| PO | SP | WVA | FMSI | HP | TRW |
| FRONT (PAD) | SP1193 | | D1031-7936 | | |



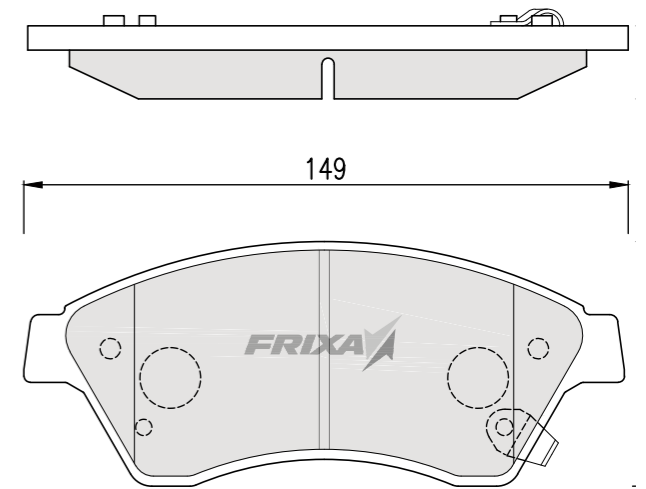
FPD16R CHEVROLET

| | | | | | |
|----------------------|--|-------|------------|----|---------|
| PART NUMBER | 19149904 | | | | |
| REPRESENTATIVE MODEL | WINSTORM(CAPTIVA) R | | | | |
| INTERCHANGEABLE | WINSTORM(CAPTIVA)(06.06-10.12), CAPTIVA(11.03-) | | | | |
| PO | SP | WVA | FMSI | HP | TRW |
| REAR (PAD) | SP1205 | 24498 | D1275-8391 | | GDB1716 |



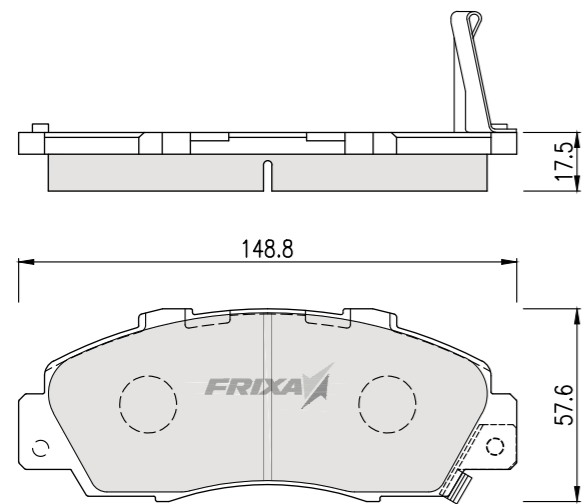
FPD17 CHEVROLET

| | | | | | |
|----------------------|--|-------|------------|----|-----|
| PART NUMBER | 13301207 | | | | |
| REPRESENTATIVE MODEL | LACETTI PREMIERE(CRUZE) | | | | |
| INTERCHANGEABLE | LACETTI PREMIERE GASOLINE(08.12-) CRUZE(11.03-), AVEO 15"(11.03-) | | | | |
| PO | SP | WVA | FMSI | HP | TRW |
| FRONT (PAD) | SP1362 | 25076 | D1522-8730 | | |



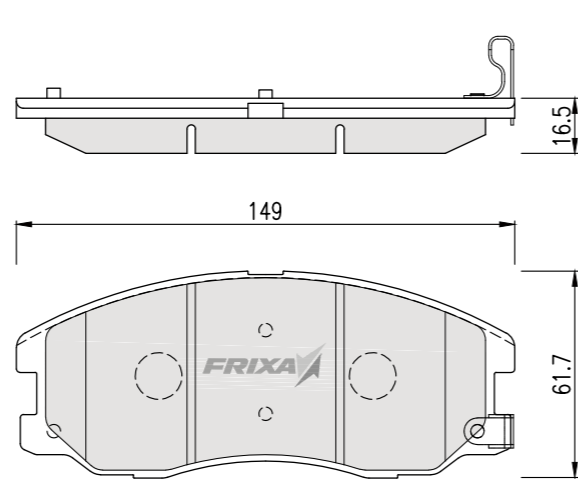
FPD15 CHEVROLET

| | | | | | |
|----------------------|---------------------|-------|-----------|--------|--------|
| PART NUMBER | 45022-S10A00 | | | | |
| REPRESENTATIVE MODEL | ARCADIA | | | | |
| INTERCHANGEABLE | ARCADIA(94.02-99.) | | | | |
| PO | SP | WVA | FMSI | HP | TRW |
| FRONT (PAD) | SP1076-F | 21651 | D503-7382 | HP2010 | GDB995 |



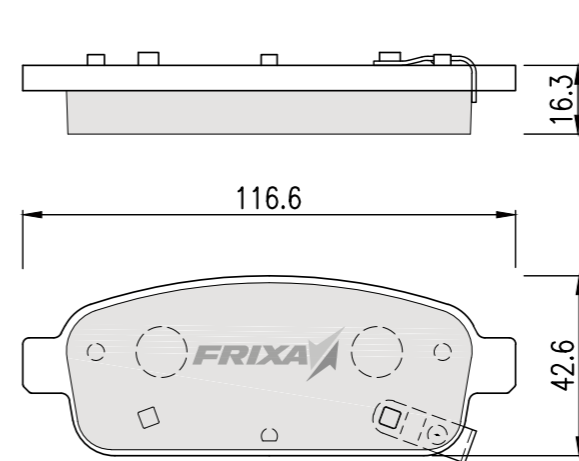
FPD16 CHEVROLET

| | | | | | |
|----------------------|--|-------|------------|----|---------|
| PART NUMBER | 20789468 | | | | |
| REPRESENTATIVE MODEL | WINSTORM(CAPTIVA) | | | | |
| INTERCHANGEABLE | WINSTORM(CAPTIVA)(06.06-10.12), CAPTIVA(11.03-) | | | | |
| PO | SP | WVA | FMSI | HP | TRW |
| FRONT (PAD) | SP1204 | 24510 | 8381-D1264 | | GDB1715 |



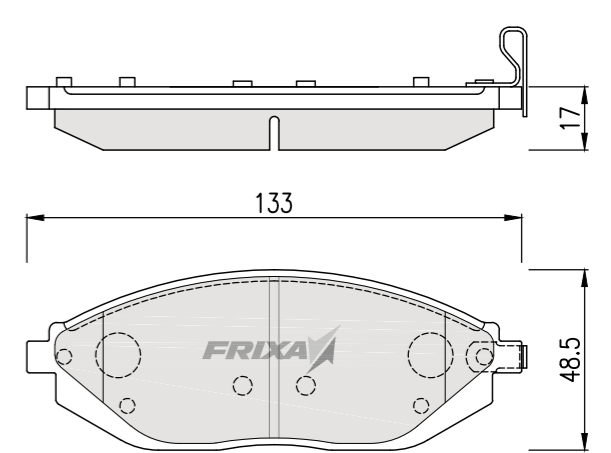
FPD17R CHEVROLET

| | | | | | |
|----------------------|---|-------|------------|----|---------|
| PART NUMBER | 13300867 | | | | |
| REPRESENTATIVE MODEL | LACETTI PREMIERE(CRUZE) R | | | | |
| INTERCHANGEABLE | LACETTI PREMIERE(CRUZE)(08.12-), ORLANDO(11.03-) TRAX(13.02-), CRUZE(11.03-) | | | | |
| PO | SP | WVA | FMSI | HP | TRW |
| REAR (PAD) | SP1363 | 25096 | D1468-8668 | | GDB1844 |



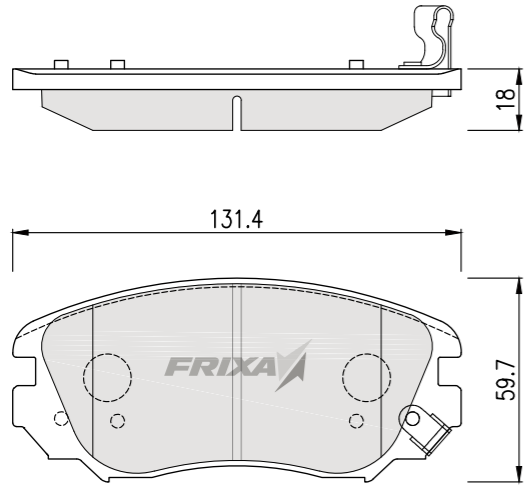
FPD18 CHEVROLET

| | | | | | |
|----------------------|---|-------|------------|----|-----|
| PART NUMBER | P94564512 | | | | |
| REPRESENTATIVE MODEL | SPARK | | | | |
| INTERCHANGEABLE | SPARK(11.03-), MATIZ(SPARK) CREATIVE(09.09-11.02) | | | | |
| PO | SP | WVA | FMSI | HP | TRW |
| FRONT (PAD) | SP1392 | 25268 | D1590-8801 | | |



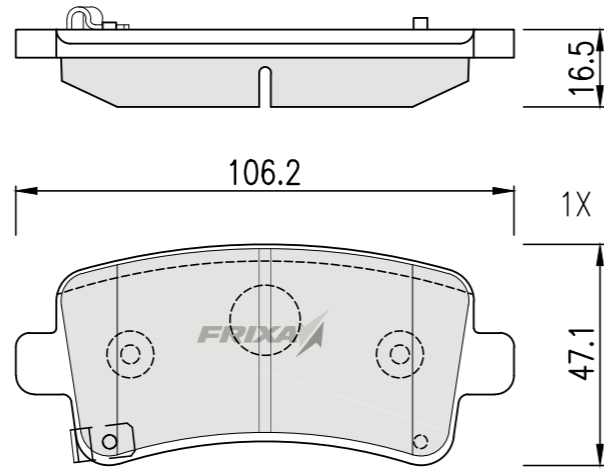
FPD19 CHEVROLET

| | | | | | |
|----------------------|---------------------------------|-------|------------|----|-----|
| PART NUMBER | 13237753 | | | | |
| REPRESENTATIVE MODEL | ALPHEON | | | | |
| INTERCHANGEABLE | ALPHEON(10.09-), MALIBU(11.10-) | | | | |
| PO | SP | WVA | FMSI | HP | TRW |
| FRONT (PAD) | SP1402 | 24415 | D1421-8536 | | |



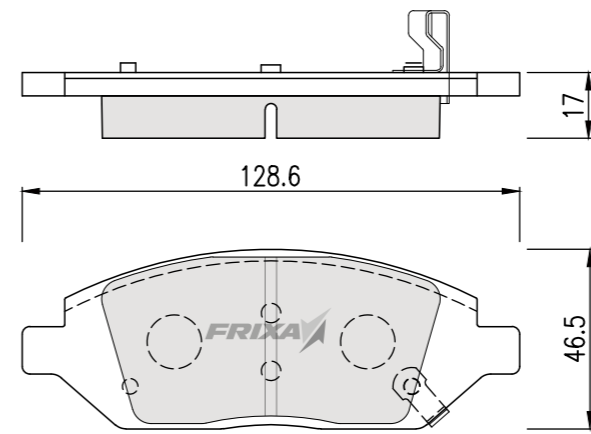
FPD19R CHEVROLET

| | | | | | |
|----------------------|---------------------------------|-------|------------|----|-----|
| PART NUMBER | 13237768 | | | | |
| REPRESENTATIVE MODEL | ALPHEON R | | | | |
| INTERCHANGEABLE | ALPHEON(10.09-), MALIBU(11.10-) | | | | |
| PO | SP | WVA | FMSI | HP | TRW |
| FRONT (PAD) | SP2135 | 24421 | D1430-8547 | | |



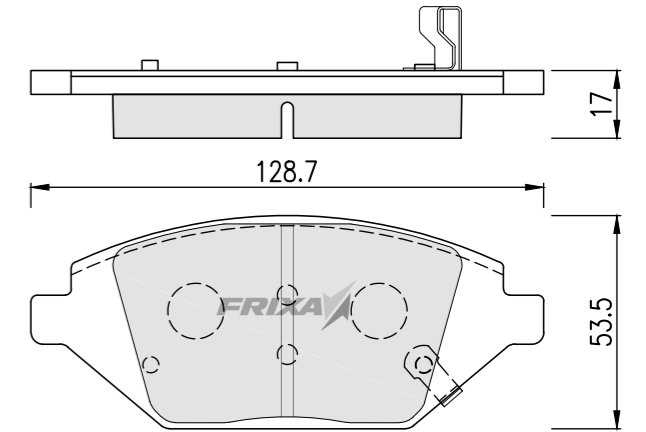
FPD22 CHEVROLET

| | | | | | |
|----------------------|--------------------|-----|------|----|-----|
| PART NUMBER | 42349237 | | | | |
| REPRESENTATIVE MODEL | THE NEXT SPARK 14" | | | | |
| INTERCHANGEABLE | | | | | |
| PO | SP | WVA | FMSI | HP | TRW |
| FRONT (PAD) | SP1836 | | | | |



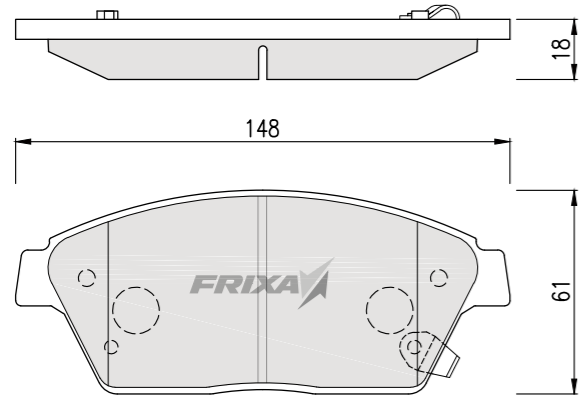
FPD23 CHEVROLET

| | | | | | |
|----------------------|--------------------|-----|------------|----|-----|
| PART NUMBER | 42349238 | | | | |
| REPRESENTATIVE MODEL | THE NEXT SPARK 15" | | | | |
| INTERCHANGEABLE | | | | | |
| PO | SP | WVA | FMSI | HP | TRW |
| FRONT (PAD) | SP1837 | | D1864-9093 | | |



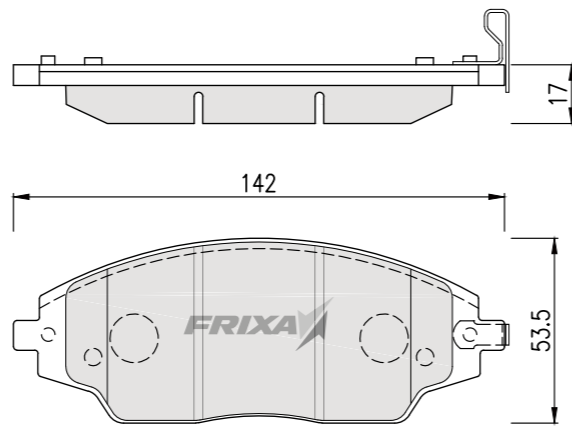
FPD20 CHEVROLET

| | | | | | |
|----------------------|--|-------|------------|----|-----|
| PART NUMBER | 13301234 | | | | |
| REPRESENTATIVE MODEL | ORLANDO | | | | |
| INTERCHANGEABLE | ORLANDO(11.02-), LACETTI PREMIERE DIESEL(08.12-), TRAX(13.02-) | | | | |
| PO | SP | WVA | FMSI | HP | TRW |
| FRONT (PAD) | SP1480 | 25079 | D1467-8667 | | |



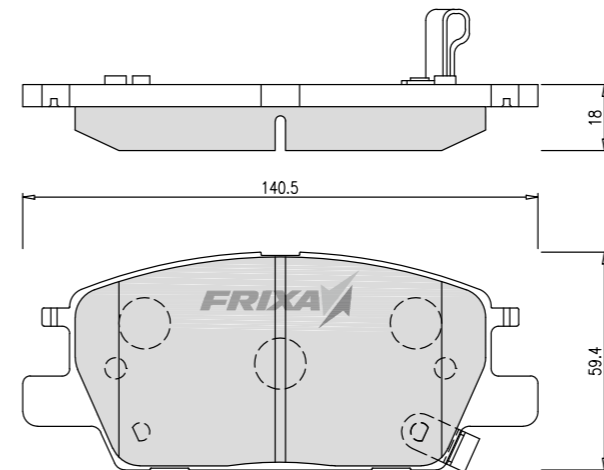
FPD21 CHEVROLET

| | | | | | |
|----------------------|---|-----|------------|----|-----|
| PART NUMBER | 95025848 | | | | |
| REPRESENTATIVE MODEL | AVEO 14MY | | | | |
| INTERCHANGEABLE | WINSTORM(CAPTIVA)(06.06-10.12), CAPTIVA(11.03-) | | | | |
| PO | SP | WVA | FMSI | HP | TRW |
| FRONT (PAD) | SP1481 | | D1702-8926 | | |



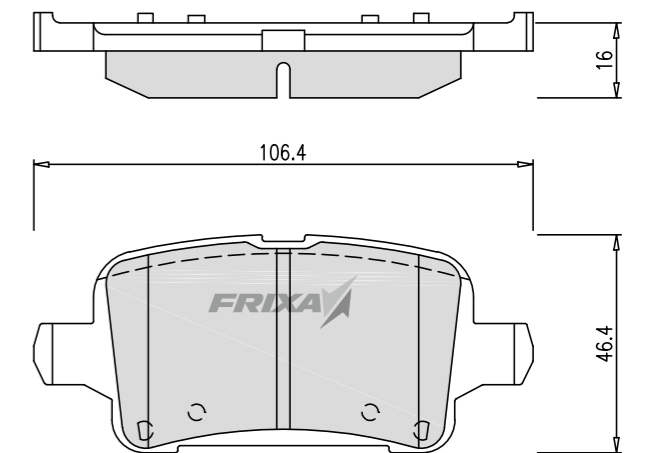
FPD24 CHEVROLET

| | | | | | |
|----------------------|-----------------|-----|------------|----|-----|
| PART NUMBER | 23326280 | | | | |
| REPRESENTATIVE MODEL | ALL NEW MALIBU | | | | |
| INTERCHANGEABLE | | | | | |
| PO | SP | WVA | FMSI | HP | TRW |
| FRONT (PAD) | SP1981 | | D1913-9144 | | |

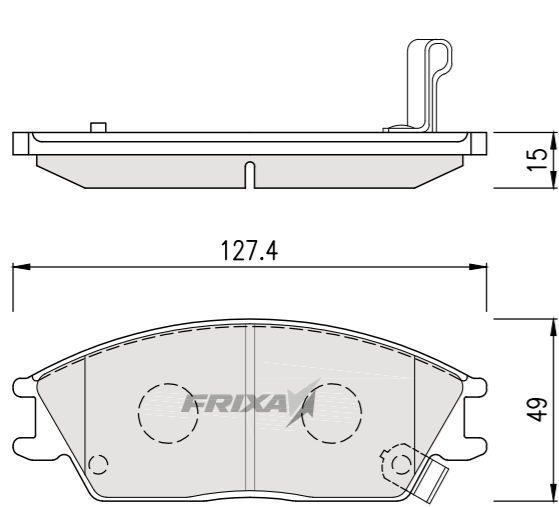


FPD24R CHEVROLET

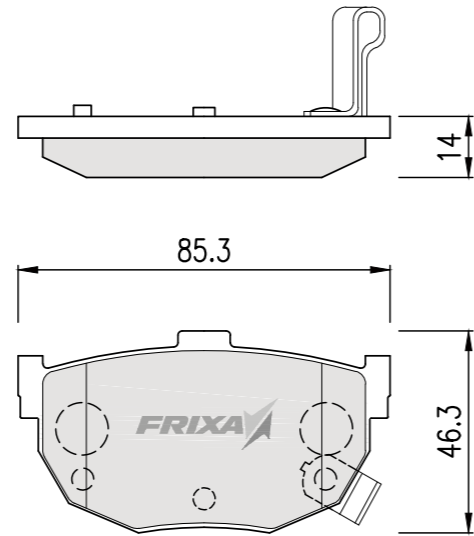
| | | | | | |
|----------------------|-----------------|-----|------|----|-----|
| PART NUMBER | 13595651 | | | | |
| REPRESENTATIVE MODEL | ALL NEW MALIBU | | | | |
| INTERCHANGEABLE | | | | | |
| PO | SP | WVA | FMSI | HP | TRW |
| REAR (PAD) | SP1929 | | | | |



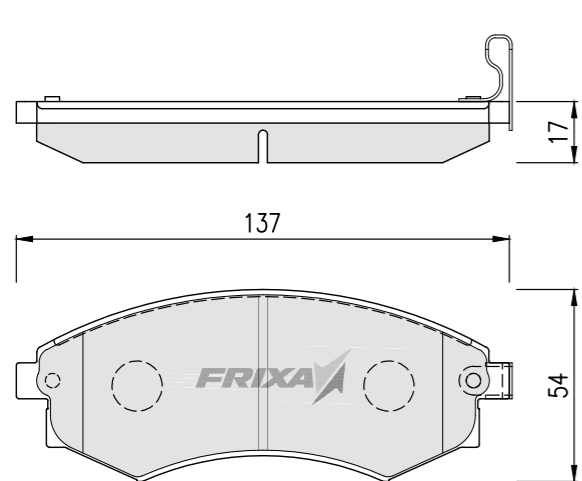
| FPH01 | | HYUNDAI | | | | |
|----------------------|---|---------|-----------|--------|---------|--|
| PART NUMBER | 58101-1CA00 | | | | | |
| REPRESENTATIVE MODEL | AVANTE(ELANTRA) | | | | | |
| INTERCHANGEABLE | AVANTE(ELANTRA)(95.03-00.04), ELANTRA(88.02-94.07) EXCEL(85.02-94.07), ACCENT(94.04-99.10) | | | | | |
| PO | SP | WVA | FMSI | HP | TRW | |
| REAR (PAD) | SP1047 | 21012 | D404-7293 | HP0004 | GDB3331 | |



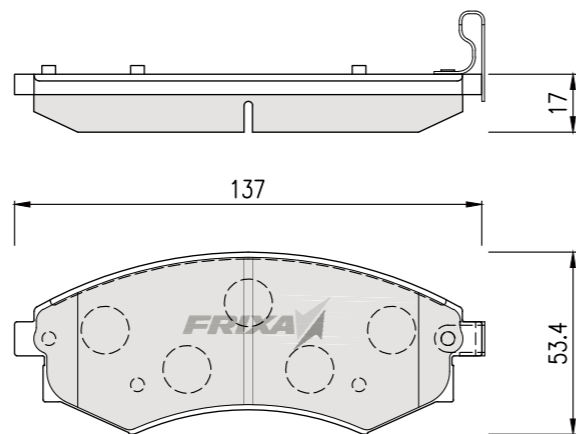
| FPH01R | | HYUNDAI | | | | |
|----------------------|---|---------|-----------|--------|---------|--|
| PART NUMBER | 44060-08E91 | | | | | |
| REPRESENTATIVE MODEL | AVANTE(ELANTRA) R | | | | | |
| INTERCHANGEABLE | ELANTRA(88.02-94.07), TIBURON,TURBULENCE(96.04-01.08) TUSCANI(COUPE)2.0/2.7(01.09-08.07) | | | | | |
| PO | SP | WVA | FMSI | HP | TRW | |
| REAR (PAD) | SP1062 | 21553 | D323-7146 | HP0021 | GDB1010 | |



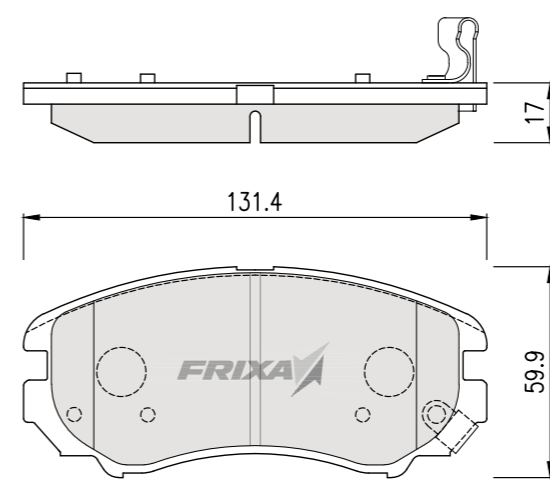
| FPH02 | | HYUNDAI | | | | |
|----------------------|---|---------|-----------|--------|---------|--|
| PART NUMBER | 58101-28A00 | | | | | |
| REPRESENTATIVE MODEL | SONATA | | | | | |
| INTERCHANGEABLE | SONATA(88.06-93.04), SONATA II(93.05-96.02) MARCIA(95.03-97.10), ELANTRA1.6/1.8(88.02-94.07) | | | | | |
| PO | SP | WVA | FMSI | HP | TRW | |
| FRONT (PAD) | SP1048 | 21725 | D449-7329 | HP0003 | GDB3101 | |



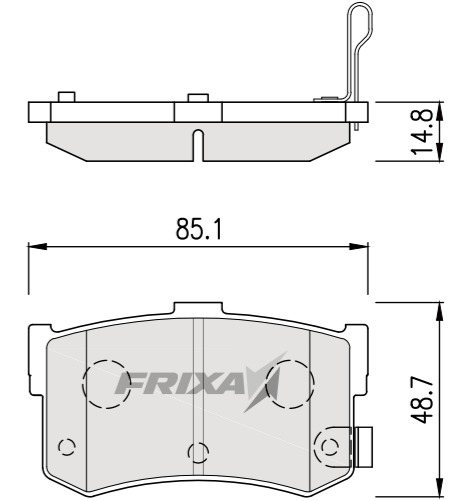
| FPH02F | | HYUNDAI | | | | |
|----------------------|--|---------|-----------|--------|---------|--|
| PART NUMBER | 58101-17A00 | | | | | |
| REPRESENTATIVE MODEL | EF SONATA | | | | | |
| INTERCHANGEABLE | EF SONATA(98.04-00.12), NEW EF SONATA(01.01-03.08) OPTIMA1.8/2.0(98.06-02.08) | | | | | |
| PO | SP | WVA | FMSI | HP | TRW | |
| FRONT (PAD) | SP1111 | 21725 | D449-7329 | HP0007 | GDB3101 | |



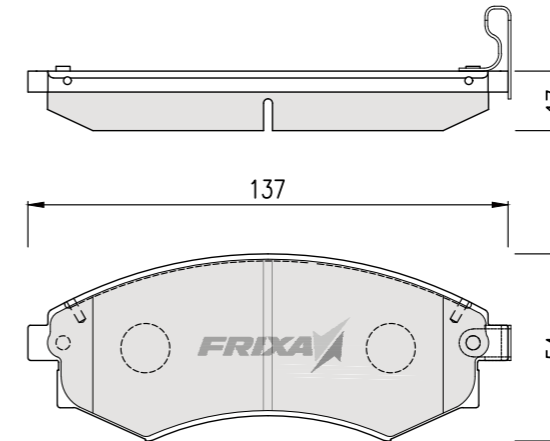
| FPH02NF | | HYUNDAI | | | | |
|----------------------|---|---------|-----------|--------|---------|--|
| PART NUMBER | 58101-1FA00 | | | | | |
| REPRESENTATIVE MODEL | NF SONATA | | | | | |
| INTERCHANGEABLE | NF SONATA 2.0 (04.09-07.09), NF TRANSFORM 2.0 (07.10-) NEW EF SONATA(03.09-04.08), OPTIMA REGAL(02.09-05.10) | | | | | |
| PO | SP | WVA | FMSI | HP | TRW | |
| FRONT (PAD) | SP1155 | 23891 | D924-7825 | HP0009 | GDB3352 | |



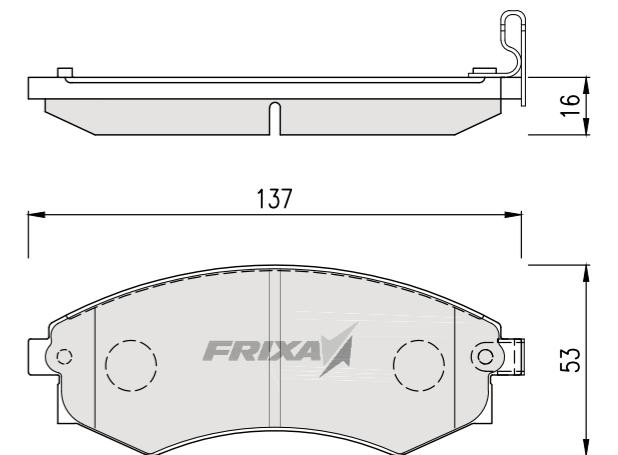
| FPH02NR | | HYUNDAI | | | | |
|----------------------|---|---------|-----------|--------|--------|--|
| PART NUMBER | 43022-SD4000 | | | | | |
| REPRESENTATIVE MODEL | SONATA R | | | | | |
| INTERCHANGEABLE | SONATA II/III(93.06-98.03), MARCIA(95.03-98.05) | | | | | |
| PO | SP | WVA | FMSI | HP | TRW | |
| REAR (PAD) | SP1074 | 20029 | D342-7236 | HP0005 | GDB994 | |



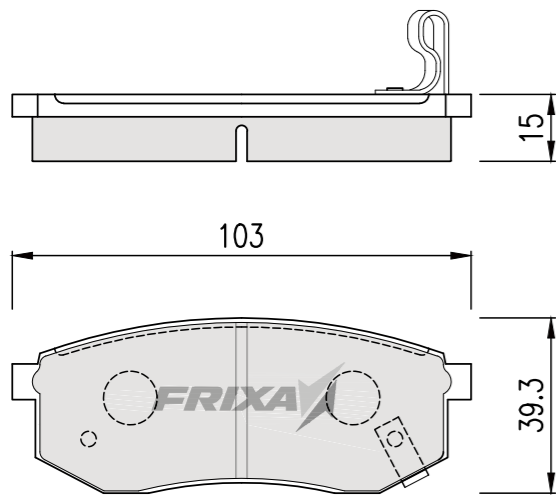
| FPH02S | | HYUNDAI | | | | |
|----------------------|---|---------|-----------|--------|---------|--|
| PART NUMBER | 58101-34A21 | | | | | |
| REPRESENTATIVE MODEL | SONATA III | | | | | |
| INTERCHANGEABLE | SONATA III, return spring type(93.03-98.03), MARCIA(97.10-98.05) | | | | | |
| PO | SP | WVA | FMSI | HP | TRW | |
| FRONT (PAD) | SP1048 | 21725 | D449-7329 | HP0006 | GDB3101 | |



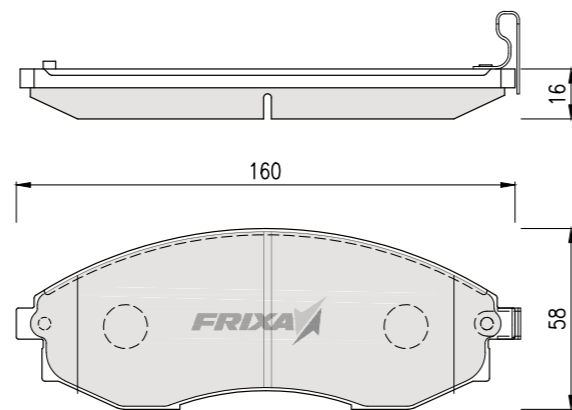
| FPH04 | | HYUNDAI | | | | |
|----------------------|---|---------|------|--------|-----|--|
| PART NUMBER | 58101-M2A00 | | | | | |
| REPRESENTATIVE MODEL | NEW GRANDEUR(AZERA)2.0 | | | | | |
| INTERCHANGEABLE | NEW GRANDEUR(AZERA)2.0/2.5(95.04-98.02), CARSTA(99.05-03.03), SANTAMO(96.01-02.12) | | | | | |
| PO | SP | WVA | FMSI | HP | TRW | |
| FRONT (PAD) | SP1054-F | | | HP0010 | | |



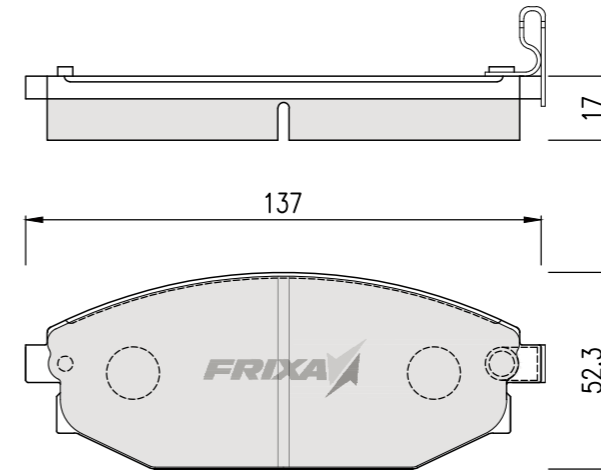
| FPH04R | | HYUNDAI | | | |
|----------------------|--|---------|------|--------|-----|
| PART NUMBER | 58302-M2A00 | | | | |
| REPRESENTATIVE MODEL | NEW GRANDEUR(AZERA)2.0 R | | | | |
| INTERCHANGEABLE | NEW GRANDEUR(AZERA)2.0/2.5(95.04-98.02) NEW GRANDEUR(AZERA)2.5(95.04-98.01) | | | | |
| PO | SP | WVA | FMSI | HP | TRW |
| REAR (PAD) | SP1054-R | 23608 | | HP0011 | |



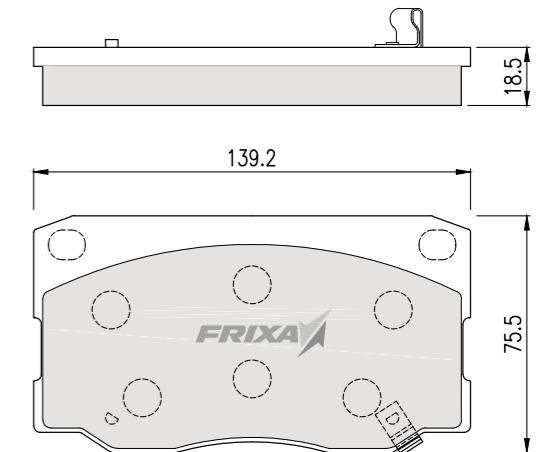
| FPH05 | | HYUNDAI | | | |
|----------------------|--|---------|------|--------|-----|
| PART NUMBER | 58101-37A10 | | | | |
| REPRESENTATIVE MODEL | NEW GRANDEUR(AZERA)3.0 | | | | |
| INTERCHANGEABLE | NEW GRANDEUR(AZERA)3.0/3.5(95.04-98.09), DYNASTY(99.10-05.08) | | | | |
| PO | SP | WVA | FMSI | HP | TRW |
| FRONT (PAD) | SP1081 | | | HP0012 | |



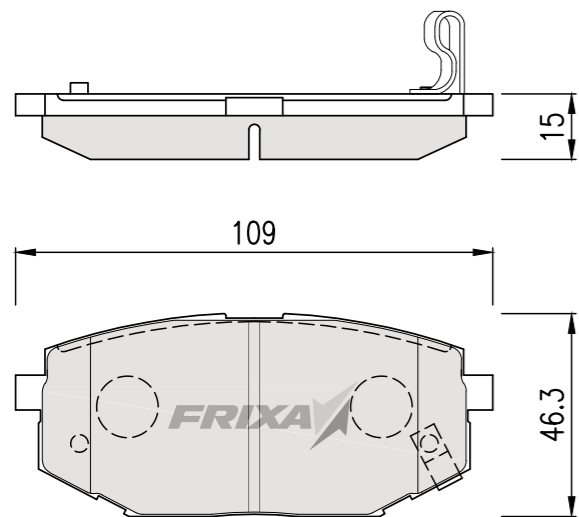
| FPH07 | | HYUNDAI | | | |
|----------------------|---|---------|------|--------|-----|
| PART NUMBER | SB000027 | | | | |
| REPRESENTATIVE MODEL | GALLOPER | | | | |
| INTERCHANGEABLE | GALLOPER, GALLOPER INNOVATION (91.09-03.12) | | | | |
| PO | SP | WVA | FMSI | HP | TRW |
| FRONT (PAD) | SP1053 | 23518 | | HP0017 | |



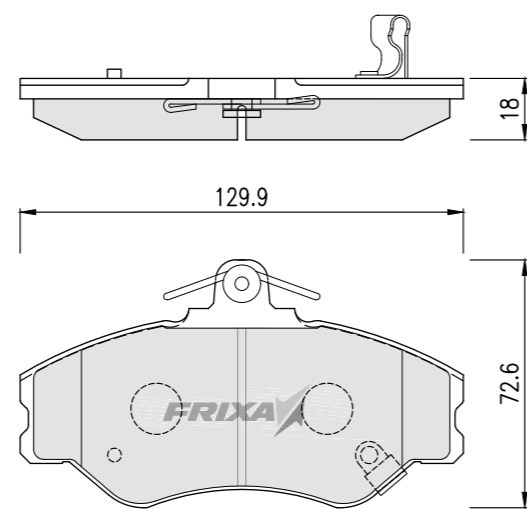
| FPH08 | | HYUNDAI | | | |
|----------------------|--|---------|-----------|--------|-----|
| PART NUMBER | 58101-45A00 | | | | |
| REPRESENTATIVE MODEL | MIGHTY | | | | |
| INTERCHANGEABLE | MIGHTY2.5TON(-04.09) MIGHTY3.5TON(-04.09) | | | | |
| PO | SP | WVA | FMSI | HP | TRW |
| FRONT (PAD) | SP1080 | | D716-8941 | HP0028 | |



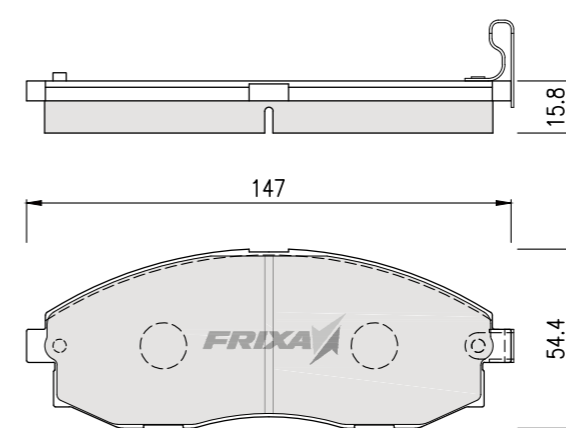
| FPH05R | | HYUNDAI | | | |
|----------------------|---|---------|------|--------|-----|
| PART NUMBER | 58215-375A0 | | | | |
| REPRESENTATIVE MODEL | NEW GRANDEUR3.0 R | | | | |
| INTERCHANGEABLE | NEW GRANDEUR(AZERA)2.5(98.01-98.09), NEW GRANDEUR(AZERA)3.0/3.5(95.04-98.09) | | | | |
| PO | SP | WVA | FMSI | HP | TRW |
| REAR (PAD) | SP1082 | | | HP0013 | |



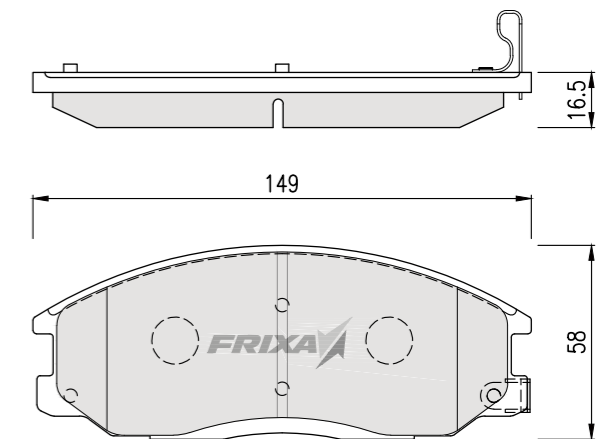
| FPH06 | | HYUNDAI | | | |
|----------------------|---|---------|------------|--------|---------|
| PART NUMBER | 58101-43A00 | | | | |
| REPRESENTATIVE MODEL | PORTER | | | | |
| INTERCHANGEABLE | NEW GRACE(H100)(94.05-03.12), PORTER(NEW)(96.03-03.12) | | | | |
| PO | SP | WVA | FMSI | HP | TRW |
| FRONT (PAD) | SP1072 | 23081 | D1137-8247 | HP0019 | GDB3089 |



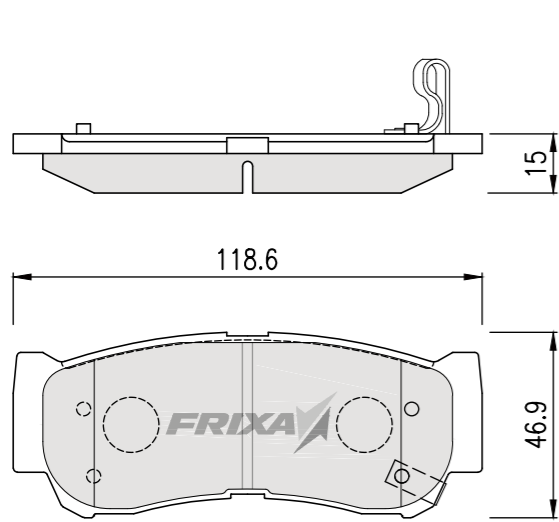
| FPH09 | | HYUNDAI | | | |
|----------------------|--|---------|------|--------|---------|
| PART NUMBER | 58101-4AA00 | | | | |
| REPRESENTATIVE MODEL | STAREX(H1) | | | | |
| INTERCHANGEABLE | STAREX(H1)(97.03-02.09) LIBERO(97.03-03.11) | | | | |
| PO | SP | WVA | FMSI | HP | TRW |
| FRONT (PAD) | SP1099 | 23536 | | HP0018 | GDB3201 |



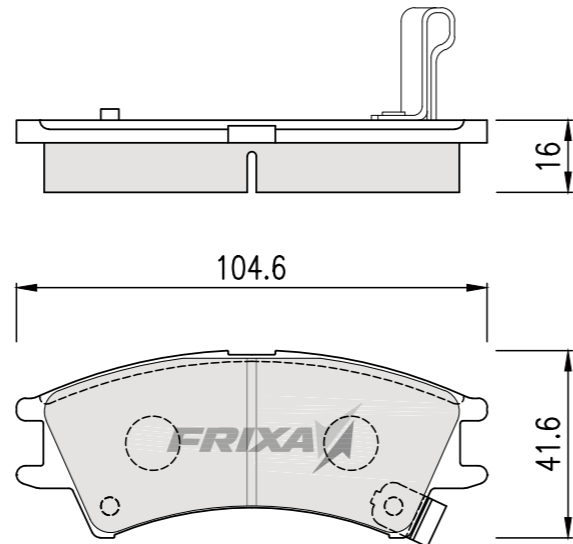
| FPH09N | | HYUNDAI | | | |
|----------------------|---|---------|-----------|--------|---------|
| PART NUMBER | 58101-2AA26 | | | | |
| REPRESENTATIVE MODEL | STAREX(H1)(NEW) | | | | |
| INTERCHANGEABLE | STAREX(H1)(NEW)(02.10-07.05) LIBERO(03.12-07.12) | | | | |
| PO | SP | WVA | FMSI | HP | TRW |
| FRONT (PAD) | SP1157 | 23569 | D903-7781 | HP0024 | GDB3244 |



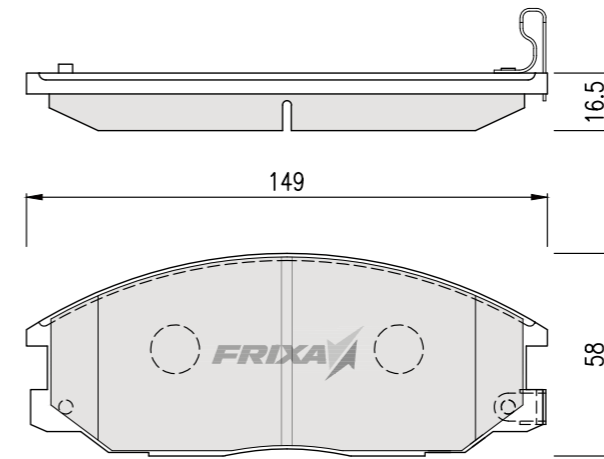
| FPH09R | | HYUNDAI |
|----------------------|--|---------|
| PART NUMBER | 58302-2BA00 | |
| REPRESENTATIVE MODEL | STAREX(H1) R | |
| INTERCHANGEABLE | STAREX(H1)(NEW)(04.01-07.04) NEW SANTAFE(06MY)(05.11-09.10) | |
| PO | SP | WVA |
| REAR (PAD) | SP1178 | 24464 |
| | FMSI | HP |
| | D1297-8414 | |
| | TRW | |



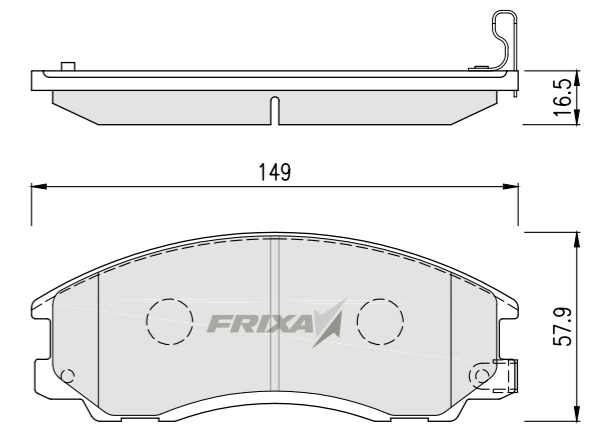
| FPH10 | | HYUNDAI |
|----------------------|---|---------|
| PART NUMBER | 58101-02A00 | |
| REPRESENTATIVE MODEL | ATOZ(SANTRO) | |
| INTERCHANGEABLE | ATOZ(SANTRO)(97.09-00.11) VISTO(98.02-00.11) | |
| PO | SP | WVA |
| FRONT (PAD) | SP1096 | 23238 |
| | FMSI | HP |
| | D1148-8225 | HP001 |
| | TRW | GDB3165 |



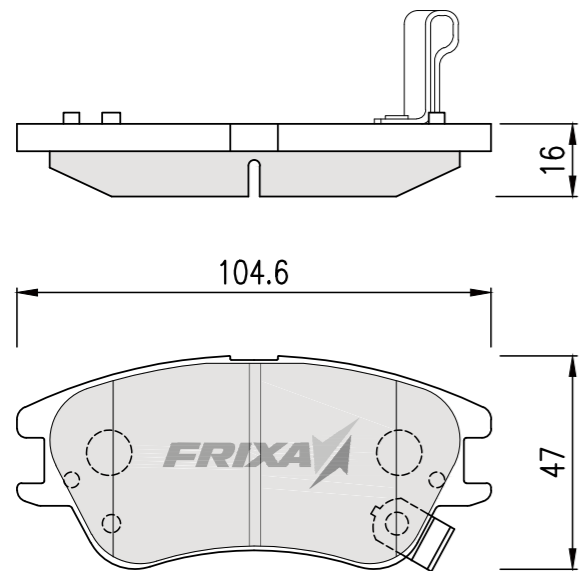
| FPH11N | | HYUNDAI |
|----------------------|---|---------|
| PART NUMBER | 0K52Y-3323Z | |
| REPRESENTATIVE MODEL | SANTAFE 4WD | |
| INTERCHANGEABLE | SANTAFE 4WD(00.02-05.11) NEW GRANDEUR(AZERA) XG3.0(12")(02.07-05.05) | |
| PO | SP | WVA |
| FRONT (PAD) | SP1190 | |
| | FMSI | HP |
| | D864-7739 | |
| | TRW | |



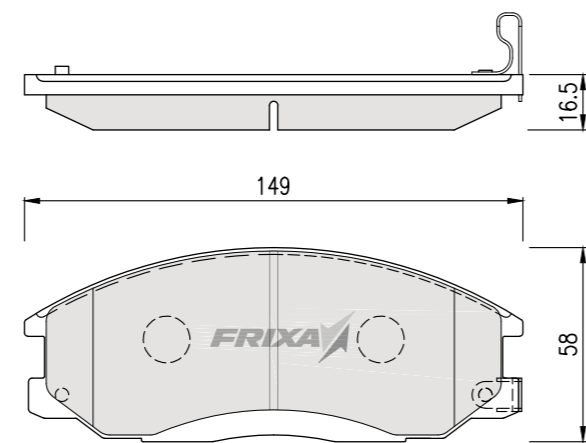
| FPH12 | | HYUNDAI |
|----------------------|-----------------------|---------|
| PART NUMBER | 58101-H1A00 | |
| REPRESENTATIVE MODEL | TERRACAN | |
| INTERCHANGEABLE | TERRACAN(01.01-04.07) | |
| PO | SP | WVA |
| FRONT (PAD) | SP1097 | 24059 |
| | FMSI | HP |
| | | HP0022 |
| | TRW | GDB3299 |



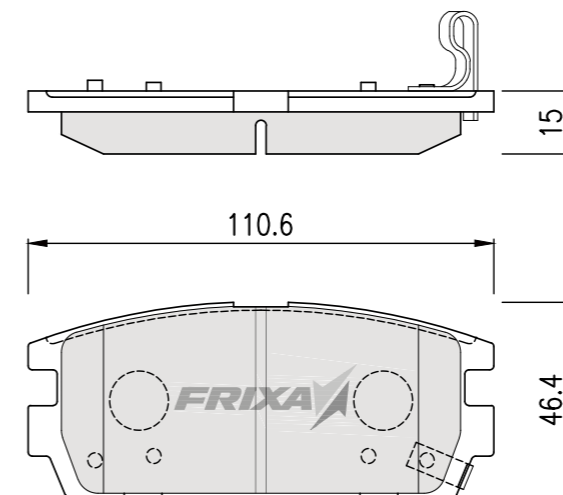
| FPH10N | | HYUNDAI |
|----------------------|---|---------|
| PART NUMBER | 58101-02A10 | |
| REPRESENTATIVE MODEL | ATOZ(SANTRO)(NEW) | |
| INTERCHANGEABLE | ATOZ(SANTRO)(NEW)(00.12-02.12) VISTO(NEW)(00.12-04.01) | |
| PO | SP | WVA |
| FRONT (PAD) | SP1149 | 24277 |
| | FMSI | HP |
| | D1142-8253 | HP0002 |
| | TRW | GDB3377 |



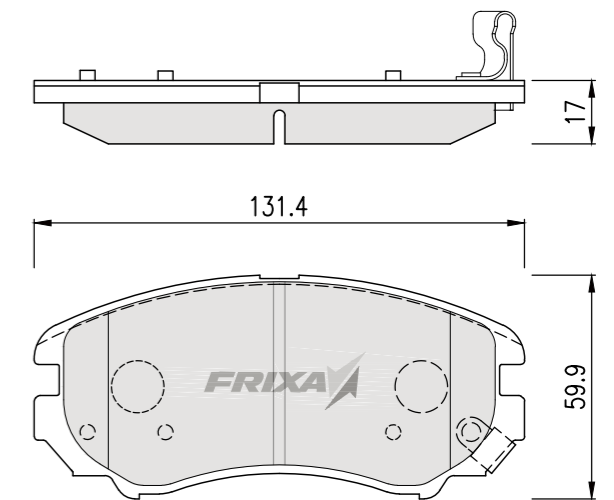
| FPH11 | | HYUNDAI |
|----------------------|---|---------|
| PART NUMBER | 4K52Y-3323Z | |
| REPRESENTATIVE MODEL | SANTAFE | |
| INTERCHANGEABLE | SANTAFE 2WD(00.02-05.11) TRAJET XG(15")(99.09-07.05) | |
| PO | SP | WVA |
| FRONT (PAD) | SP1115 | 23569 |
| | FMSI | HP |
| | D864-7792 | HP0014 |
| | TRW | GDB3244 |



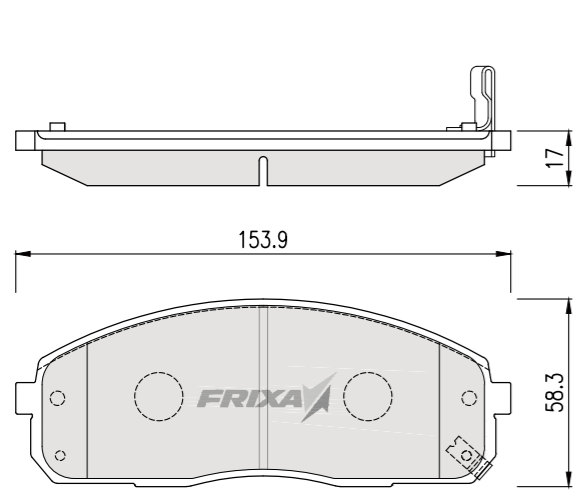
| FPH12R | | HYUNDAI |
|----------------------|--|---------|
| PART NUMBER | 58302-H1A00 | |
| REPRESENTATIVE MODEL | TERRACAN R | |
| INTERCHANGEABLE | TERRACAN(01.01-04.07) NEW TERRACAN(04.08-06.10) | |
| PO | SP | WVA |
| REAR (PAD) | SP1098 | 23813 |
| | FMSI | HP |
| | | HP0023 |
| | TRW | GDB3296 |



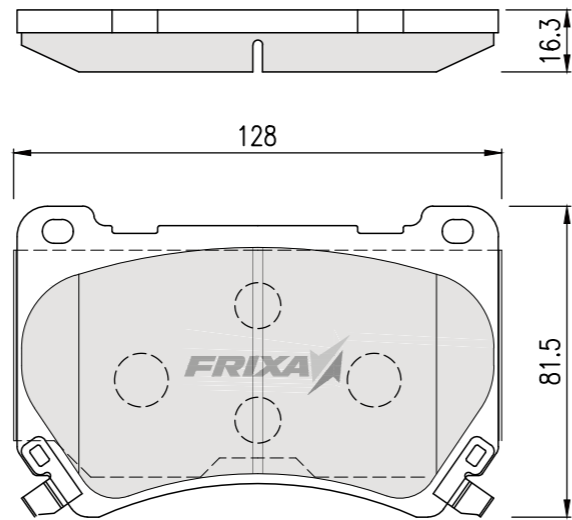
| FPH14 | | HYUNDAI |
|----------------------|--|------------|
| PART NUMBER | 58101-1FA50 | |
| REPRESENTATIVE MODEL | TUCSON | |
| INTERCHANGEABLE | TUCSON(04.03-09.07) NEW SPORTAGE(04.08-10.02) | |
| PO | SP | WVA |
| FRONT (PAD) | SP1155 | 23891 |
| | FMSI | HP |
| | | 8306-D1125 |
| | TRW | GDB3352 |



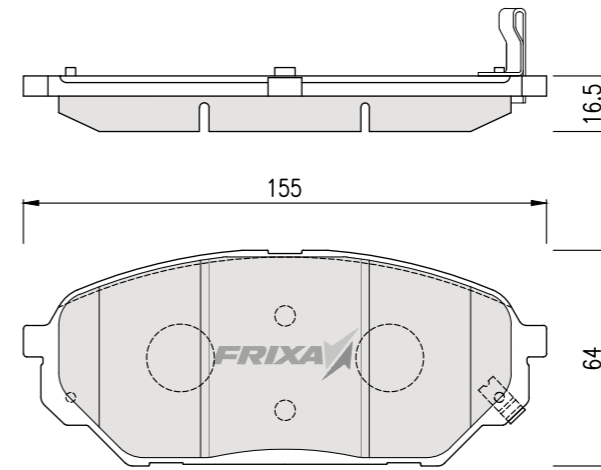
| FPH15 | | HYUNDAI | | | | |
|----------------------|--------------------|---------|------|--------|-----|--|
| PART NUMBER | 58101-4FA00 | | | | | |
| REPRESENTATIVE MODEL | PORTER II | | | | | |
| INTERCHANGEABLE | PORTER II(04.11-) | | | | | |
| PO | SP | WVA | FMSI | HP | TRW | |
| FRONT (PAD) | SP1174 | | | HP0029 | | |



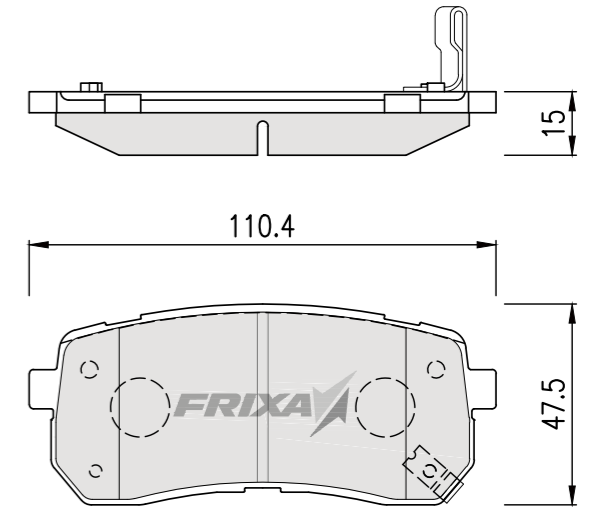
| FPH16 | | HYUNDAI | | | | |
|----------------------|---|---------|------|----|-----|--|
| PART NUMBER | 58101-3BA20 | | | | | |
| REPRESENTATIVE MODEL | EQUUS(CONTINENTAL)(NEW)4.5 | | | | | |
| INTERCHANGEABLE | EQUUS(CONTINENTAL)3.0/3.5/4.5(17")(04.06-09.02) EQUUS(CONTINENTAL) 09MY(09.03-11.09) | | | | | |
| PO | SP | WVA | FMSI | HP | TRW | |
| FRONT (PAD) | SP1206 | | | | | |



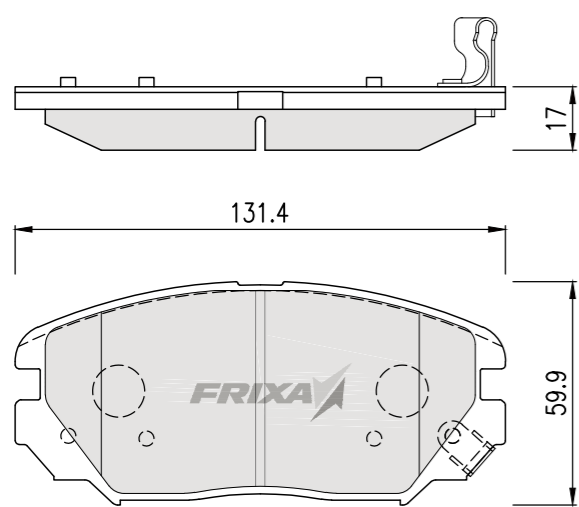
| FPH19 | | HYUNDAI | | | | |
|----------------------|--------------------|---------|------------|----|-----|--|
| PART NUMBER | 58101-3JA00 | | | | | |
| REPRESENTATIVE MODEL | VERACRUZ | | | | | |
| INTERCHANGEABLE | VERACRUZ(06.05-) | | | | | |
| PO | SP | WVA | FMSI | HP | TRW | |
| FRONT (PAD) | SP1203 | | D1301-8417 | | | |



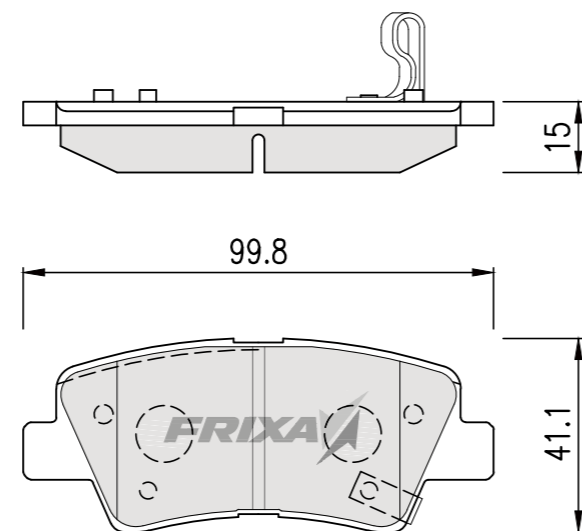
| FPH19R | | HYUNDAI | | | | |
|----------------------|---|---------|------------|----|---------|--|
| PART NUMBER | 58302-3JA00 | | | | | |
| REPRESENTATIVE MODEL | VERACRUZ R | | | | | |
| INTERCHANGEABLE | VERACRUZ(06.05-), GRAND STREX(07.05-) GRAND CARNIVAL(SEDONA)(05.07-) | | | | | |
| PO | SP | WVA | FMSI | HP | TRW | |
| REAR (PAD) | SP1192 | 24599 | D1302-8418 | | GDB3449 | |



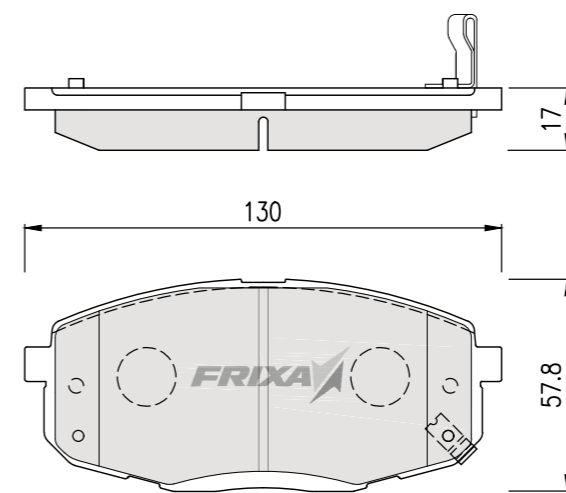
| FPH17 | | HYUNDAI | | | | |
|----------------------|--|---------|------------|--------|---------|--|
| PART NUMBER | 58101-3KA20 | | | | | |
| REPRESENTATIVE MODEL | NF SONATA 16" | | | | | |
| INTERCHANGEABLE | NF SONATA 2.4 (04.09-07.09) NF TRANSFORM 2.4 (07.10-) | | | | | |
| PO | SP | WVA | FMSI | HP | TRW | |
| FRONT (PAD) | SP1182 | 23891 | D1125-8233 | HP0031 | GDB3352 | |



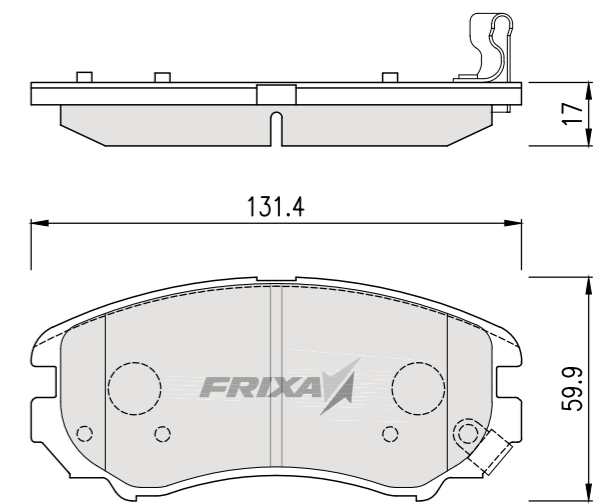
| FPH17R | | HYUNDAI | | | | |
|----------------------|---|---------|------------|----|-----|--|
| PART NUMBER | 58302-2EA31 | | | | | |
| REPRESENTATIVE MODEL | NF TRANSFORM R | | | | | |
| INTERCHANGEABLE | NF TRANSFORM(07.12-), OPIRUS(AMANTI)(NEW)(06.06-12.02) SOUL(08.09-13.09), LOTZE INNOVATION(16")(05.11-10.04) | | | | | |
| PO | SP | WVA | FMSI | HP | TRW | |
| REAR (PAD) | SP1239 | 24934 | D1313-8428 | | | |



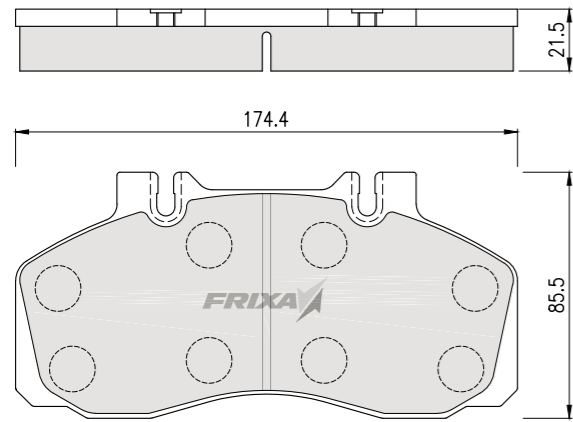
| FPH20 | | HYUNDAI | | | | |
|----------------------|--|---------|------|----|---------|--|
| PART NUMBER | 58101-1MA00 | | | | | |
| REPRESENTATIVE MODEL | I-30 | | | | | |
| INTERCHANGEABLE | I-30(07.06-), ALL NEW SOUL(13.10-) FORTE(08.08-), CEE-D 07" | | | | | |
| PO | SP | WVA | FMSI | HP | TRW | |
| FRONT (PAD) | SP1240 | 23966 | | | GDB3342 | |



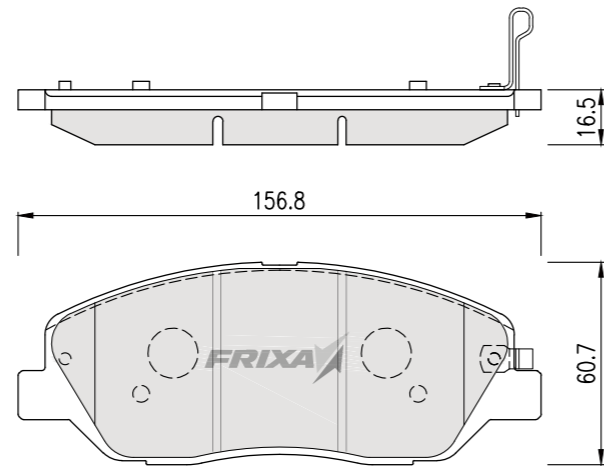
| FPH21 | | HYUNDAI | | | | |
|----------------------|-----------------------------------|---------|------------|----|---------|--|
| PART NUMBER | 58101-2HA10 | | | | | |
| REPRESENTATIVE MODEL | AVANTE(ELANTRA) 06MY | | | | | |
| INTERCHANGEABLE | AVANTE(ELANTRA) 06MY(06.06-10.07) | | | | | |
| PO | SP | WVA | FMSI | HP | TRW | |
| FRONT (PAD) | SP1202 | 23891 | 8306-D1125 | | GDB3352 | |



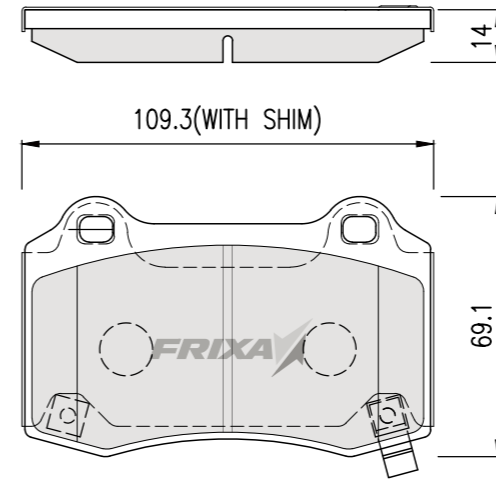
| FPH22 | | HYUNDAI | | | |
|----------------------|--|---------|------------|----|---------|
| PART NUMBER | 58160-5K300 | | | | |
| REPRESENTATIVE MODEL | MIGHTY 06MY | | | | |
| INTERCHANGEABLE | MIGHTY 06MY(06.04-), COUNTY 06MY(06.04-) | | | | |
| PO | SP | WVA | FMSI | HP | TRW |
| FRONT (PAD) | SP1207 | | D1062-7968 | | GDB1695 |



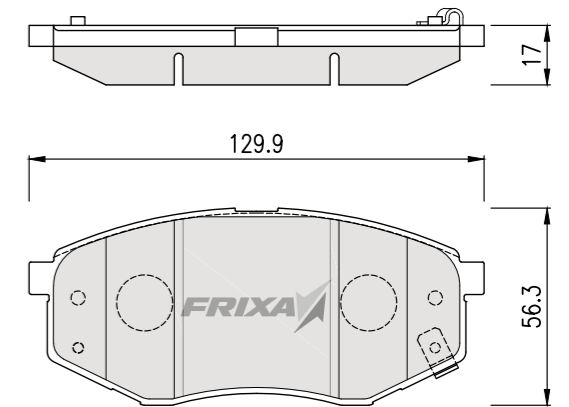
| FPH23 | | HYUNDAI | | | |
|----------------------|----------------------|---------|------------|----|-----|
| PART NUMBER | 58101-3MA00 | | | | |
| REPRESENTATIVE MODEL | GENESIS | | | | |
| INTERCHANGEABLE | GENESIS(08.01~12.11) | | | | |
| PO | SP | WVA | FMSI | HP | TRW |
| FRONT (PAD) | SP1246 | | D1384-8400 | | |



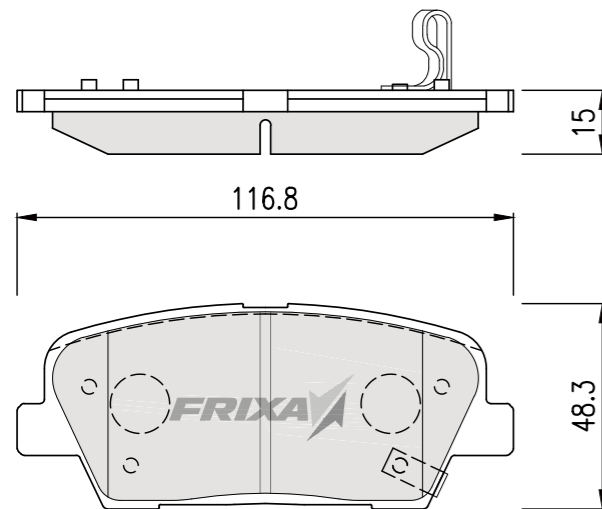
| FPH24R | | HYUNDAI | | | |
|----------------------|--|---------|-----------|--------|-----|
| PART NUMBER | 58302-2MA10 | | | | |
| REPRESENTATIVE MODEL | GENESIS COUPE 3.8 R | | | | |
| INTERCHANGEABLE | COUPE 3.8 18"19"(BREMBO TYPE)(08.10-) | | | | |
| PO | SP | WVA | FMSI | HP | TRW |
| REAR (PAD) | SP1494 | 23142 | D960-7858 | HP1494 | |



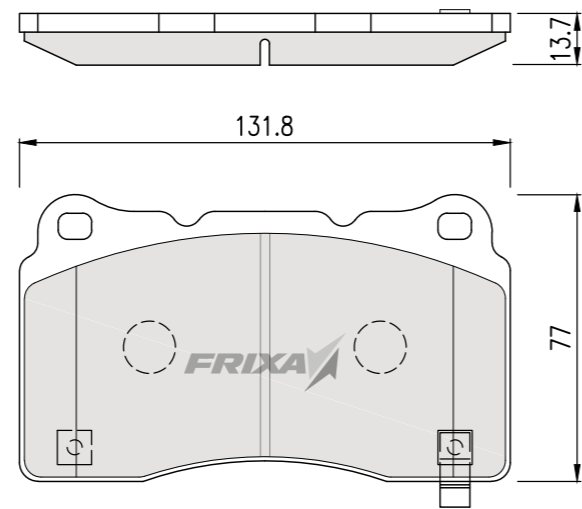
| FPH25(FPH33) | | HYUNDAI | | | |
|----------------------|---|---------|------------|----|-----|
| PART NUMBER | 58101-2SA00 | | | | |
| REPRESENTATIVE MODEL | YF SONATA | | | | |
| INTERCHANGEABLE | YF SONATA 2.0(09.09-), LF SONATA 15"(14.03-), SPORTAGE R 2WD(10.03~11.01), TUCSON IX 2WD(09.08~11.12) | | | | |
| PO | SP | WVA | FMSI | HP | TRW |
| FRONT (PAD) | SP1374 | 25187 | D1447-8615 | | |



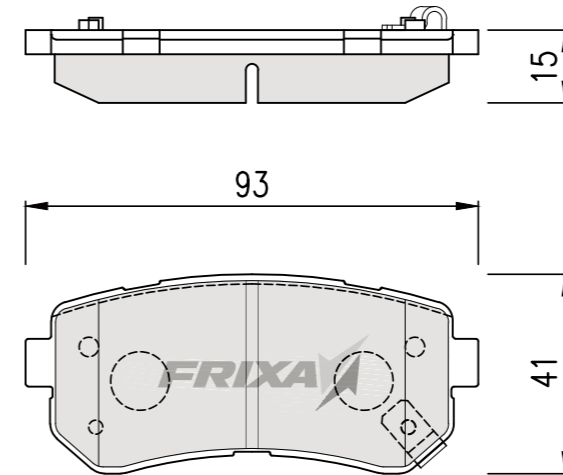
| FPH23R(FPK26R) | | KIA | | | |
|----------------------|--|-------|------------|----|-----|
| PART NUMBER | 58302-2JA00 | | | | |
| REPRESENTATIVE MODEL | GENESIS R | | | | |
| INTERCHANGEABLE | MOHAVE(BOREGO)(08.01-), GENESIS, 13MY(08.01-) CHAIRMAN W(08.04-), GENESIS COUPE17"(08.10-) | | | | |
| PO | SP | WVA | FMSI | HP | TRW |
| REAR (PAD) | SP1247 | 25153 | D1387-8496 | | |



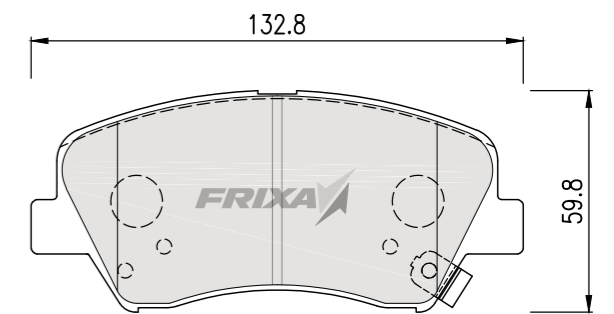
| FPH24 | | HYUNDAI | | | |
|----------------------|--|---------|------------|----|-----|
| PART NUMBER | 58101-2MA10 | | | | |
| REPRESENTATIVE MODEL | GENESIS COUPE 3.8 | | | | |
| INTERCHANGEABLE | COUPE 3.8 18"19"(BREMBO TYPE)(08.10-) | | | | |
| PO | SP | WVA | FMSI | HP | TRW |
| FRONT (PAD) | SP2119 | 23092 | D1001-7942 | | |



| FPH25R | | HYUNDAI | | | |
|----------------------|---|---------|------------|----|---------|
| PART NUMBER | 58302-0ZA00 | | | | |
| REPRESENTATIVE MODEL | YF SONATA R | | | | |
| INTERCHANGEABLE | YF SONATA(09.09-), LF SONATA(14.03-), K7(CADENZA)(10.05-), VERNA 05MY(05.08~10.12) | | | | |
| PO | SP | WVA | FMSI | HP | TRW |
| REAR (PAD) | SP1187 | 24320 | D1157-8267 | | GDB3421 |

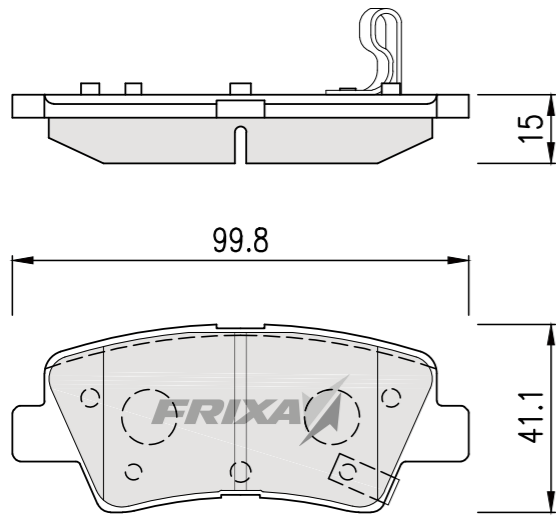


| FPH26 | | HYUNDAI | | | |
|----------------------|--|---------|------------|----|-----|
| PART NUMBER | 58101-2VA00 | | | | |
| REPRESENTATIVE MODEL | AVANTE(ELANTRA) MD | | | | |
| INTERCHANGEABLE | AVANTE(ELANTRA) MD(10.08-), VELOSTER (11.03-), K3(CERATO)(12.10-), I-30 12MY(12.01-) | | | | |
| PO | SP | WVA | FMSI | HP | TRW |
| FRONT (PAD) | SP1400 | | D1543-8751 | | |



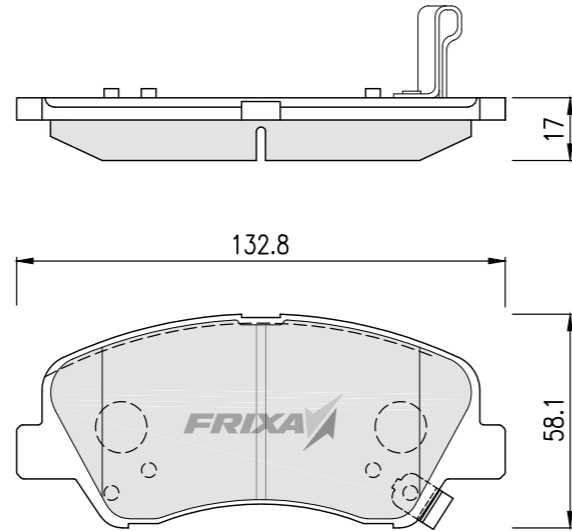
FPH26R HYUNDAI

| | | | | | |
|----------------------|--|-------|------------|----|-----|
| PART NUMBER | 58302-1RA30 | | | | |
| REPRESENTATIVE MODEL | AVANTE(ELANTRA) MD R | | | | |
| INTERCHANGEABLE | AVANTE(ELANTRA) MD(10.07-), ACCENT(SOLARIS) 11MY(11.01-) | | | | |
| PO | SP | WVA | FMSI | HP | TRW |
| REAR (PAD) | SP1401 | 24934 | D1544-8428 | | |



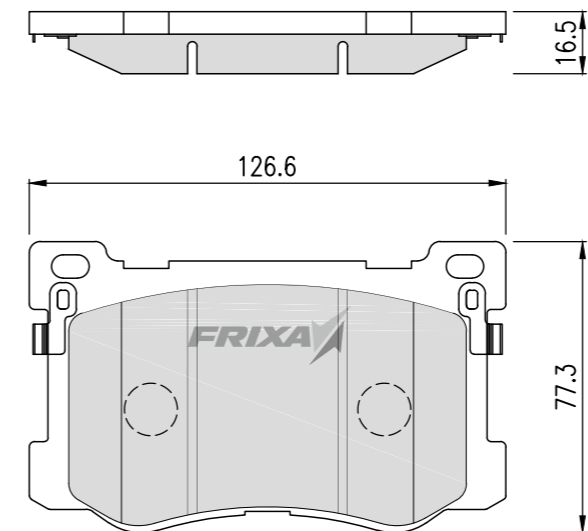
FPH27 HYUNDAI

| | | | | | |
|----------------------|--|-------|------------|----|-----|
| PART NUMBER | 58101-1RA00 | | | | |
| REPRESENTATIVE MODEL | ACCENT(SOLARIS) 11MY | | | | |
| INTERCHANGEABLE | ACCENT(SOLARIS) 11MY(11.01-), PRIDE 12MY(12.01-) | | | | |
| PO | SP | WVA | FMSI | HP | TRW |
| FRONT (PAD) | SP1399 | 25348 | D1593-8806 | | |



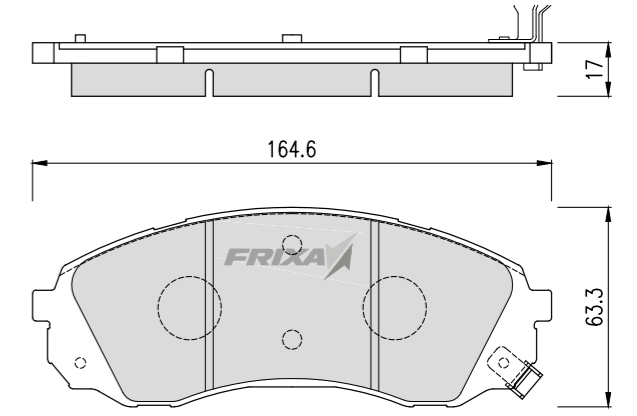
FPH29 HYUNDAI

| | | | | | |
|----------------------|--|-----|------------|----|-----|
| PART NUMBER | 58101-3NA50 | | | | |
| REPRESENTATIVE MODEL | EQUUS(CONTINENTAL) 11MY | | | | |
| INTERCHANGEABLE | EQUUS(CONTINENTAL) (18") 12MY(11.12-), GENESIS 13MY(12.12-), K9 3.8(12.04-) | | | | |
| PO | SP | WVA | FMSI | HP | TRW |
| FRONT (PAD) | SP1547 | | D1799-9030 | | |



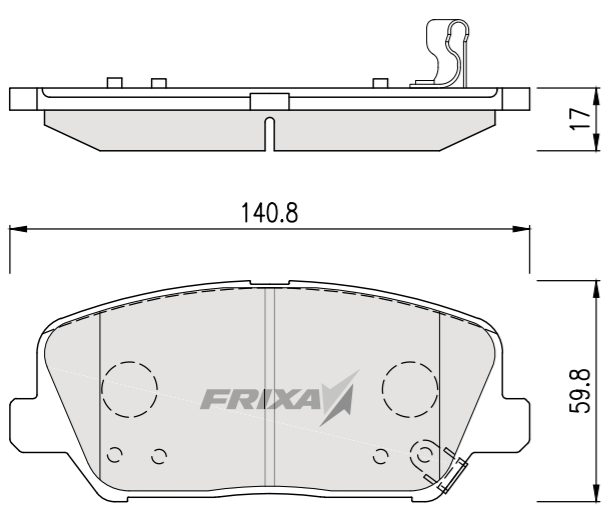
FPH30(FPK21) HYUNDAI

| | | | | | |
|----------------------|---|-------|------------|----|---------|
| PART NUMBER | 58101-4DA00 | | | | |
| REPRESENTATIVE MODEL | GRAND STAREX(H1) | | | | |
| INTERCHANGEABLE | NEW CARNIVAL(SEDONA)(16")(06.02-), GRAND STAREX(H1)(07.05-) | | | | |
| PO | SP | WVA | FMSI | HP | TRW |
| FRONT (PAD) | SP1238 | 24598 | D1566-8775 | | GDB3448 |



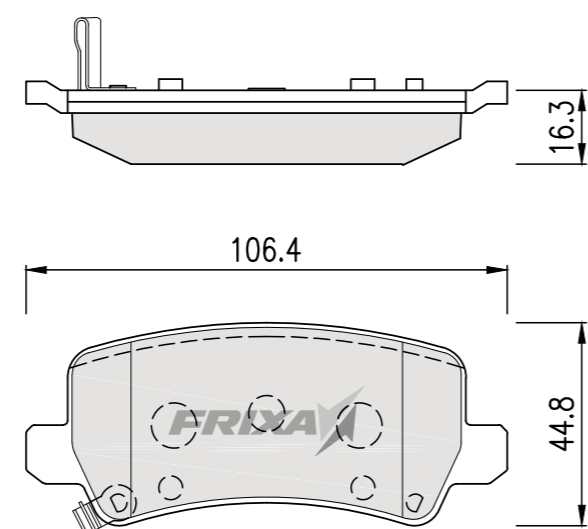
FPH28 HYUNDAI

| | | | | | |
|----------------------|---|-------|------------|----|-----|
| PART NUMBER | 58101-2MA00 | | | | |
| REPRESENTATIVE MODEL | GRANDEUR(AZERA) HG | | | | |
| INTERCHANGEABLE | GRANDEUR(AZERA) HG 3.0 17"(11.02-11.12), GRANDEUR HG 3.0 18"(11.02-) | | | | |
| PO | SP | WVA | FMSI | HP | TRW |
| FRONT (PAD) | SP1403 | 24915 | D1413-8527 | | |



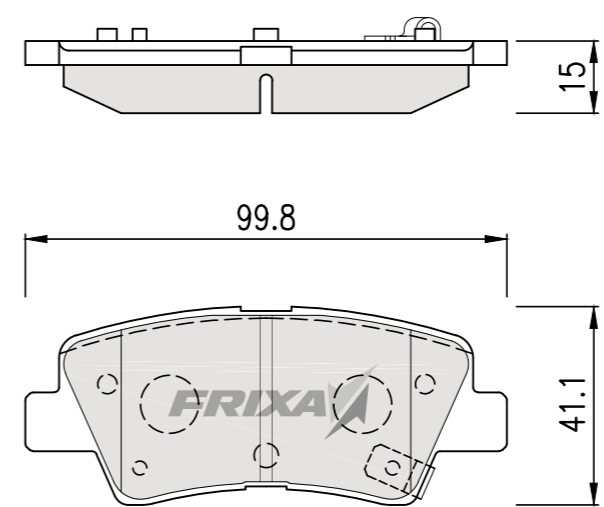
FPH28NR HYUNDAI

| | | | | | |
|----------------------|---|-----|------|----|-----|
| PART NUMBER | 58302-3VA50 | | | | |
| REPRESENTATIVE MODEL | GRANDEUR(AZERA) HG 3.3 EPB TYPE R | | | | |
| INTERCHANGEABLE | GRANDEUR(AZERA) HG 3.3 EPB TYPE(11.02-) ASLAN 15MY | | | | |
| PO | SP | WVA | FMSI | HP | TRW |
| REAR (PAD) | SP1499 | | | | |



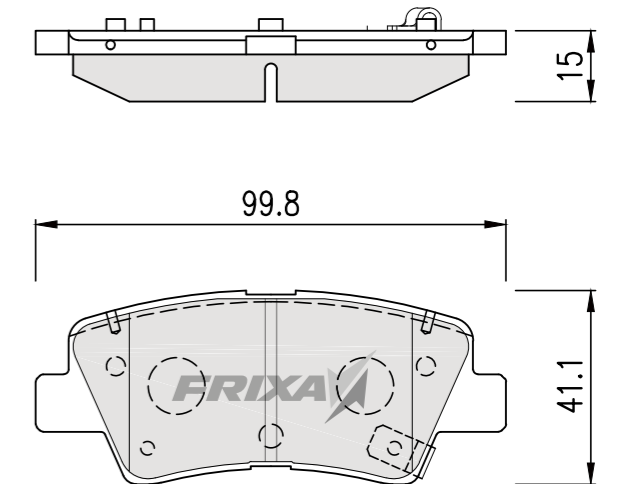
FPH31R HYUNDAI

| | | | | | |
|----------------------|---|-------|------------|----|-----|
| PART NUMBER | 58302-2VA30 | | | | |
| REPRESENTATIVE MODEL | VELOSTER | | | | |
| INTERCHANGEABLE | VELOSTER(11.02-), K7 EPB TYPE(10.05-), YF SONATA EPB(09.09-), LF SONATA EPB(14.03-) | | | | |
| PO | SP | WVA | FMSI | HP | TRW |
| REAR (PAD) | SP1407 | 25337 | D1594-8428 | | |

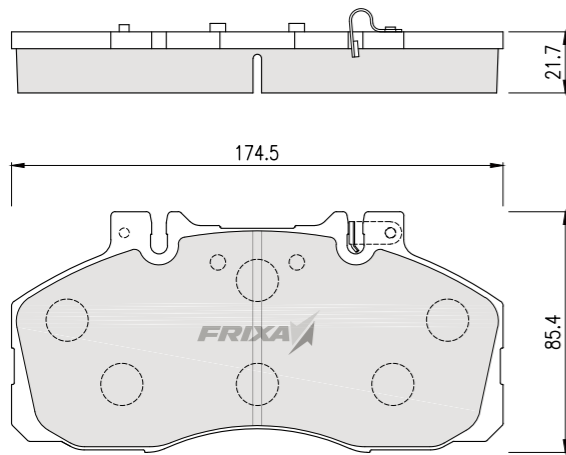


FPH31NR HYUNDAI

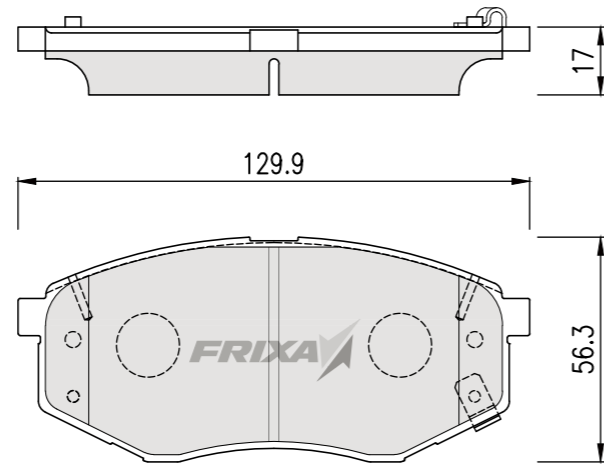
| | | | | | |
|----------------------|---|-----|------------|----|-----|
| PART NUMBER | 58302-A5A20 | | | | |
| REPRESENTATIVE MODEL | VELOSTER EPB TYPE R | | | | |
| INTERCHANGEABLE | VELOSTER EPB TYPE(11.02-), I-30 12MY EPB TYPE(12.01-) LF SONATA EPR TYPE(14.03-) | | | | |
| PO | SP | WVA | FMSI | HP | TRW |
| REAR (PAD) | SP1851 | | D1813-8428 | | |



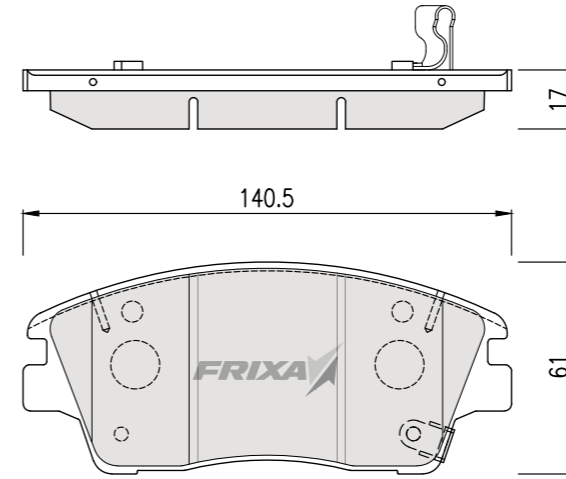
| FPH32 | | HYUNDAI | | | | |
|----------------------|----------------------|---------|------|----|-----|--|
| PART NUMBER | 58101-5LA00 | | | | | |
| REPRESENTATIVE MODEL | MIGHTY 11MY F | | | | | |
| INTERCHANGEABLE | MIGHTY 11MY (11.07-) | | | | | |
| PO | SP | WVA | FMSI | HP | TRW | |
| FRONT (PAD) | SP1552 | | | | | |



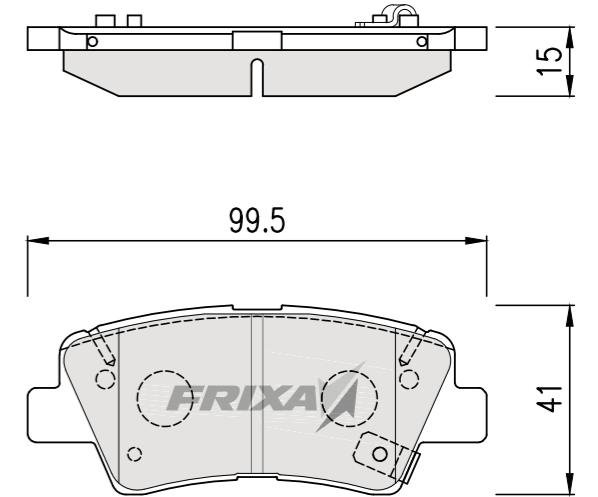
| FPH33 | | HYUNDAI | | | | |
|----------------------|--------------------|---------|------|----|-----|--|
| PART NUMBER | 58101-C1A00 | | | | | |
| REPRESENTATIVE MODEL | LF 15 F | | | | | |
| INTERCHANGEABLE | LF SONATA (14.03-) | | | | | |
| PO | SP | WVA | FMSI | HP | TRW | |
| FRONT (PAD) | SP1681 | | | | | |



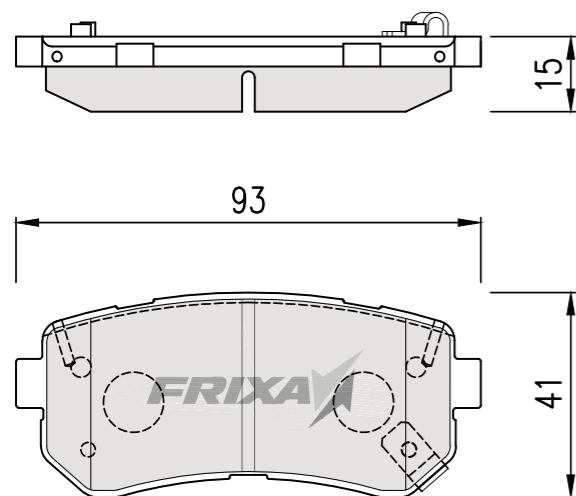
| FPH35 | | HYUNDAI | | | | |
|----------------------|---|---------|------|----|-----|--|
| PART NUMBER | 58101-D3A00 | | | | | |
| REPRESENTATIVE MODEL | ALL NEW TUCSON | | | | | |
| INTERCHANGEABLE | IONIQ, NIRO, SPORTAGE 16MY(15.09-), AVANTE AD SPORT(16.04-) | | | | | |
| PO | SP | WVA | FMSI | HP | TRW | |
| FRONT (PAD) | SP1844 | | | | | |



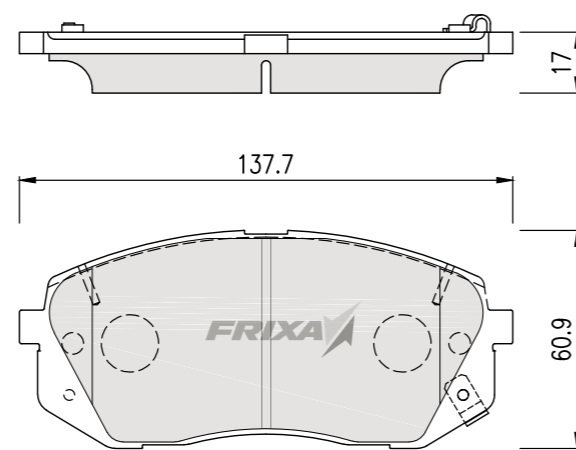
| FPH35R | | HYUNDAI | | | | |
|----------------------|----------------------------|---------|------------|----|-----|--|
| PART NUMBER | 58302-D3A00 | | | | | |
| REPRESENTATIVE MODEL | ALL NEW TUCSON (HAND TYPE) | | | | | |
| INTERCHANGEABLE | SPORTAGE 16MY(15.09-) | | | | | |
| PO | SP | WVA | FMSI | HP | TRW | |
| REAR (PAD) | SP1845 | | D1848-8428 | | | |



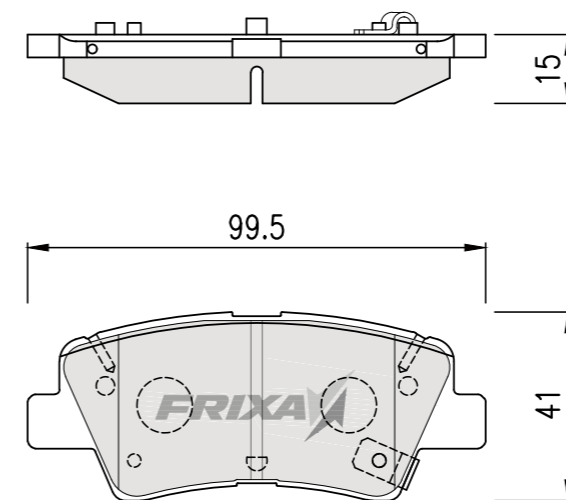
| FPH33R | | HYUNDAI | | | | |
|----------------------|--------------------|---------|------|----|-----|--|
| PART NUMBER | 58302-D4A00 | | | | | |
| REPRESENTATIVE MODEL | LF R | | | | | |
| INTERCHANGEABLE | LF SONATA (14.03-) | | | | | |
| PO | SP | WVA | FMSI | HP | TRW | |
| REAR (PAD) | SP1850 | | | | | |



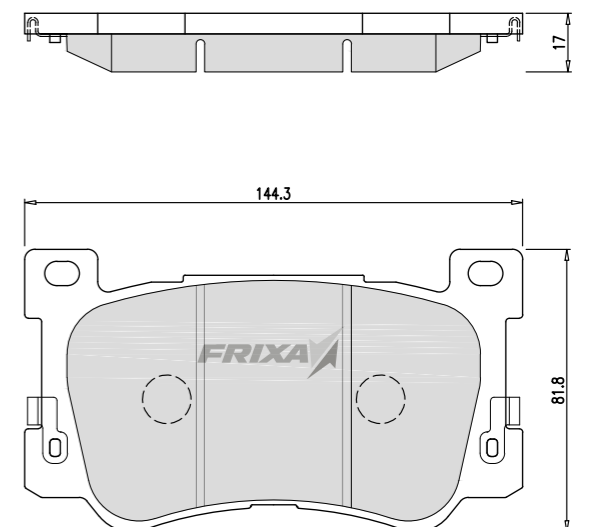
| FPH34 | | HYUNDAI | | | | |
|----------------------|---|---------|------|----|-----|--|
| PART NUMBER | 58101-C1A10 | | | | | |
| REPRESENTATIVE MODEL | LF 16 F (LF 17" F) | | | | | |
| INTERCHANGEABLE | LF SONATA 16" (14.03-), LF SONATA HYBRID 16" (14.03-), I30 16" (16.09-) | | | | | |
| PO | SP | WVA | FMSI | HP | TRW | |
| FRONT (PAD) | SP1682 | | | | | |



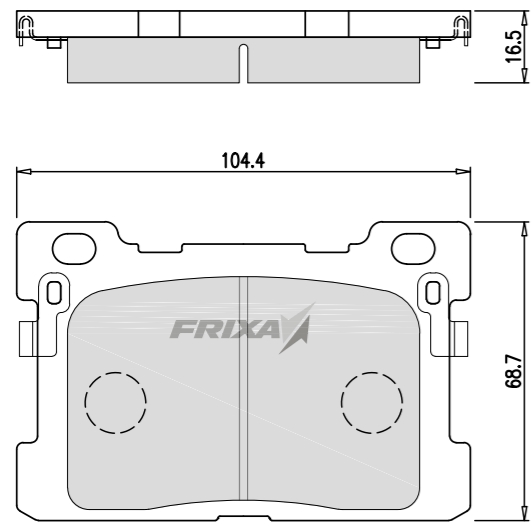
| FPH35NR | | HYUNDAI | | | | |
|----------------------|---|---------|------|----|-----|--|
| PART NUMBER | 58302-D3A70 | | | | | |
| REPRESENTATIVE MODEL | ALL NEW TUCSON (EPB TYPE) | | | | | |
| INTERCHANGEABLE | IONIQ, NIRO, SPORTAGE 16MY EPB(15.09-), AVANTE AD(15.09-) | | | | | |
| PO | SP | WVA | FMSI | HP | TRW | |
| REAR (PAD) | SP1846 | | | | | |



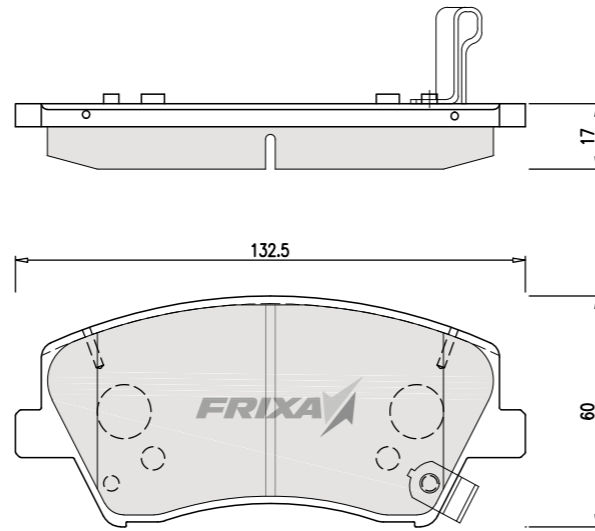
| FPH36 | | HYUNDAI | | | | |
|----------------------|--------------------|---------|------|----|-----|--|
| PART NUMBER | 58101 D2A00 | | | | | |
| REPRESENTATIVE MODEL | GENESIS EQ900(HI) | | | | | |
| INTERCHANGEABLE | | | | | | |
| PO | SP | WVA | FMSI | HP | TRW | |
| FRONT (PAD) | SP1955 | | | | | |



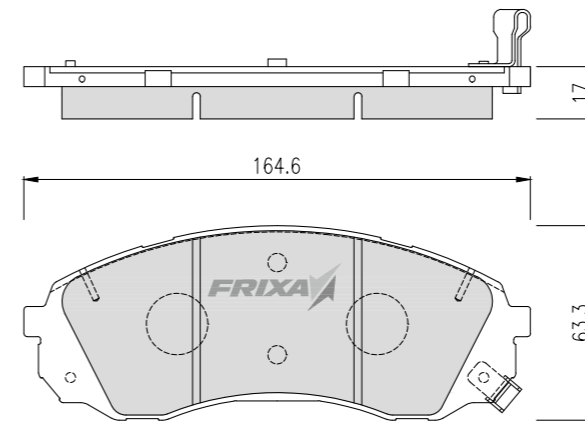
| FPH36R | | HYUNDAI | | | | |
|----------------------|-------------------|---------|------|----|-----|--|
| PART NUMBER | 58302 D2A00 | | | | | |
| REPRESENTATIVE MODEL | GENESIS EQ900(HI) | | | | | |
| INTERCHANGEABLE | | | | | | |
| PO | SP | WVA | FMSI | HP | TRW | |
| REAR (PAD) | SP1978 | | | | | |



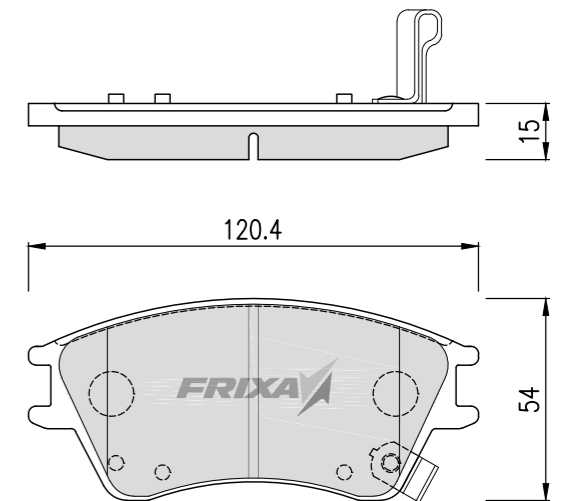
| FPH37 | | HYUNDAI | | | | |
|----------------------|-------------|---------|------|----|-----|--|
| PART NUMBER | 58101 F2A00 | | | | | |
| REPRESENTATIVE MODEL | AVANTE AD | | | | | |
| INTERCHANGEABLE | IONIQ, NIRO | | | | | |
| PO | SP | WVA | FMSI | HP | TRW | |
| FRONT (PAD) | SP1907 | | | | | |



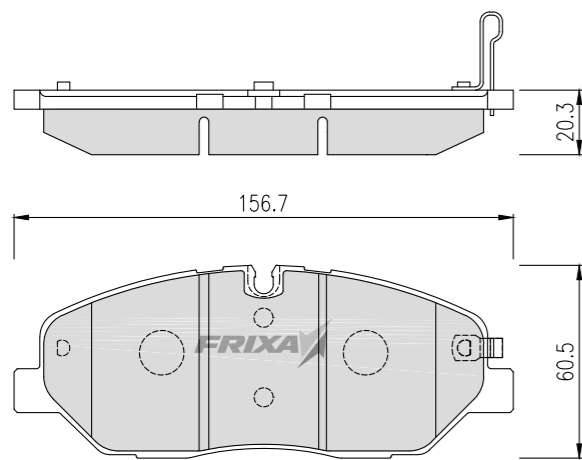
| FPH39 | | HYUNDAI | | | | |
|----------------------|-------------------|---------|------|----|-----|--|
| PART NUMBER | 58101 4HA15 | | | | | |
| REPRESENTATIVE MODEL | GRAND STAREX 17MY | | | | | |
| INTERCHANGEABLE | | | | | | |
| PO | SP | WVA | FMSI | HP | TRW | |
| FRONT (PAD) | SP1890 | | | | | |



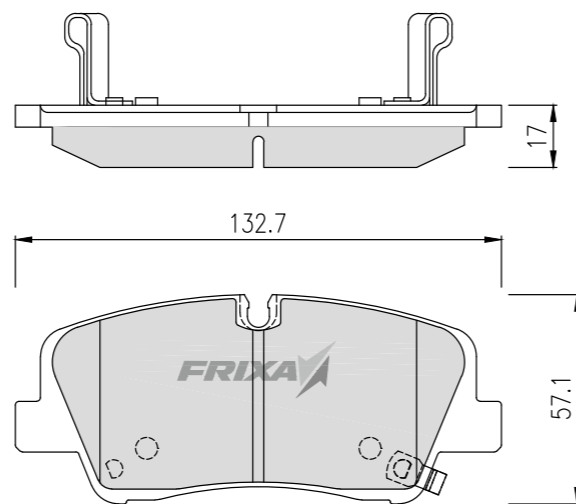
| FPHXDF | | HYUNDAI | | | | |
|----------------------|------------------------------------|---------|------|--------|-----|--|
| PART NUMBER | 58101-2D000 | | | | | |
| REPRESENTATIVE MODEL | AVANTE(ELANTRA) XD | | | | | |
| INTERCHANGEABLE | AVANTE(ELANTRA) XD1.5(00.03-04.04) | | | | | |
| PO | SP | WVA | FMSI | HP | TRW | |
| FRONT (PAD) | SP1147 | | | HP0020 | | |



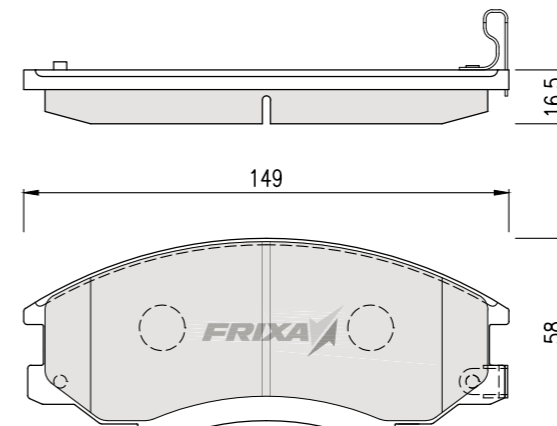
| FPH38 | | HYUNDAI | | | | |
|----------------------|--|---------|------|----|-----|--|
| PART NUMBER | 58101 59A00 | | | | | |
| REPRESENTATIVE MODEL | SOLATI | | | | | |
| INTERCHANGEABLE | MOHAVE(BOREGO)(08.01-), GENESIS, 13MY(08.01-) CHAIRMAN W(08.04-), GENESIS COUPE17(08.10-) | | | | | |
| PO | SP | WVA | FMSI | HP | TRW | |
| FRONT (PAD) | SP4037 | | | | | |



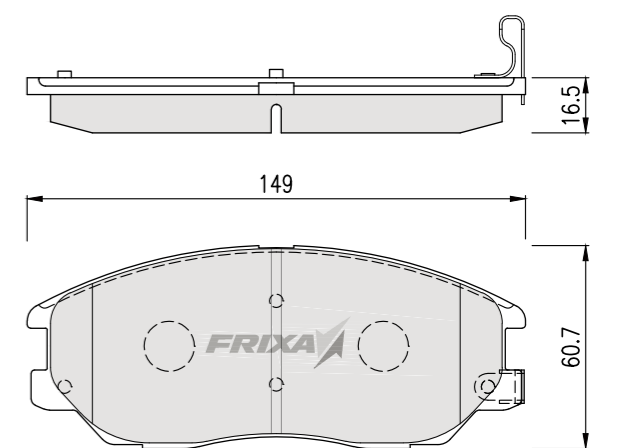
| FPH38R | | HYUNDAI | | | | |
|----------------------|-------------|---------|------|----|-----|--|
| PART NUMBER | 58301 59A00 | | | | | |
| REPRESENTATIVE MODEL | SOLATI | | | | | |
| INTERCHANGEABLE | | | | | | |
| PO | SP | WVA | FMSI | HP | TRW | |
| REAR (PAD) | SP4038 | | | | | |



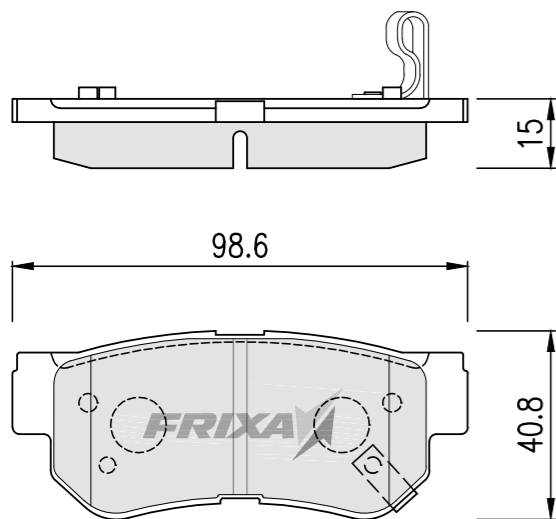
| FPHXGF | | HYUNDAI | | | | |
|----------------------|--|---------|-----------|--------|-----|--|
| PART NUMBER | 58115-391S0 | | | | | |
| REPRESENTATIVE MODEL | GRANDEUR(AZERA) XG | | | | | |
| INTERCHANGEABLE | GRANDEUR(AZERA) XG2.5/3.0(15")(98.09-02.06). GRANDEUR(AZERA) XG2.7 TAXI(15")(98.09-02.06) | | | | | |
| PO | SP | WVA | FMSI | HP | TRW | |
| FRONT (PAD) | SP1115 | | D864-7792 | HP0015 | | |



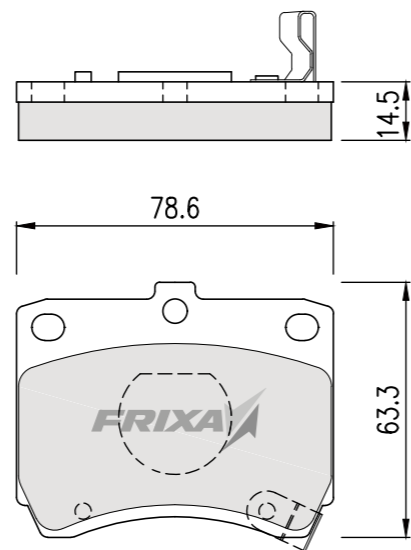
| FPHXGN | | HYUNDAI | | | | |
|----------------------|---|---------|------------|--------|---------|--|
| PART NUMBER | 48130-21A00 | | | | | |
| REPRESENTATIVE MODEL | NEW GRANDEUR(AZERA) XG | | | | | |
| INTERCHANGEABLE | GRANDEUR(AZERA) XG2.5/3.0(16")(02.07-05.05). EQUUS(CONTINENTAL)3.0/3.5(16")(01.07-03.09) | | | | | |
| PO | SP | WVA | FMSI | HP | TRW | |
| FRONT (PAD) | SP1161 | 23726 | D1013-7917 | HP0016 | GDB3257 | |



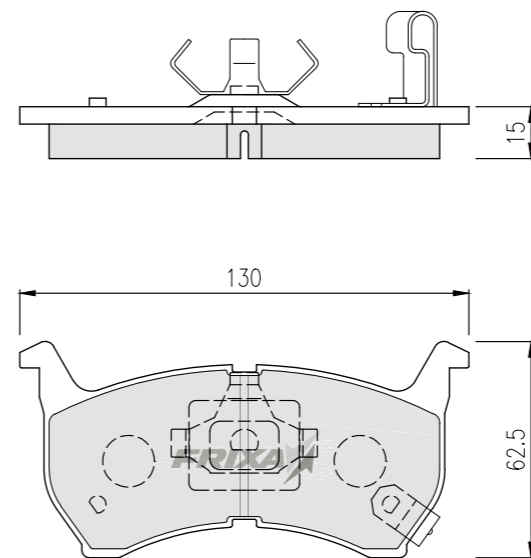
| FPHXGR | | HYUNDAI | | | | |
|----------------------|---|---------|-----------|--------|---------|--|
| PART NUMBER | 58215-383S0 | | | | | |
| REPRESENTATIVE MODEL | GRANDEUR(AZERA) XG R | | | | | |
| INTERCHANGEABLE | EF SONATA(98.04-00.12), NEW EF SONATA(01.01-04.08) NF SONATA(04.09-07.09), GRANDEUR(AZERA) XG, NEW | | | | | |
| PO | SP | WVA | FMSI | HP | TRW | |
| REAR (PAD) | SP1117 | 23543 | D813-7688 | HP0008 | GDB3282 | |



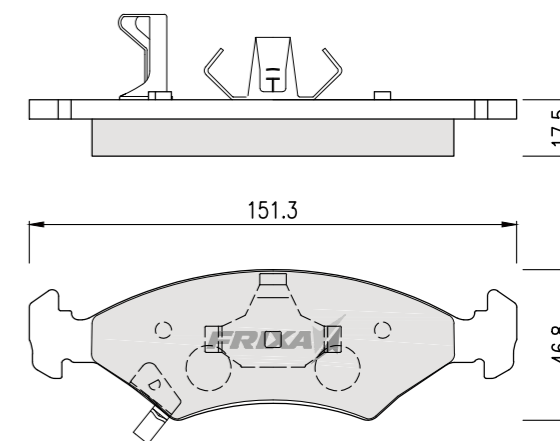
| FPK01 | | KIA | | | | |
|----------------------|---------------------|-------|-----------|--------|--------|--|
| PART NUMBER | D001-3328Z | | | | | |
| REPRESENTATIVE MODEL | PRIDE | | | | | |
| INTERCHANGEABLE | PRIDE/BETA(86.-99.) | | | | | |
| PO | SP | WVA | FMSI | HP | TRW | |
| FRONT (PAD) | SP1049 | 21355 | D402-7291 | HP1001 | GDB773 | |



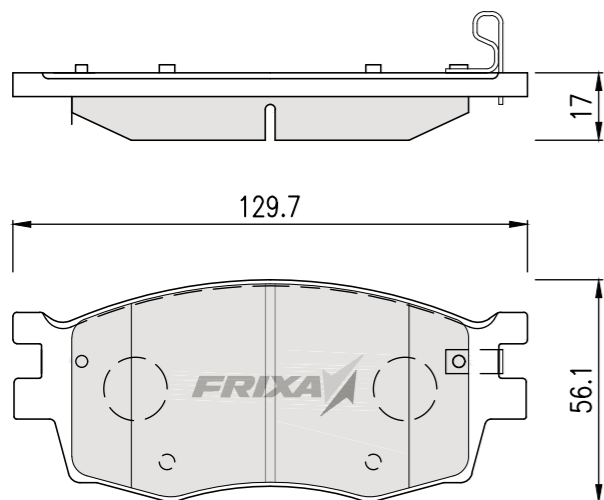
| FPK02 | | KIA | | | | |
|----------------------|--------------------|-------|-----------|----|---------|--|
| PART NUMBER | OK900-49230 | | | | | |
| REPRESENTATIVE MODEL | CONCORD | | | | | |
| INTERCHANGEABLE | CONCORD CAPITAL | | | | | |
| PO | SP | WVA | FMSI | HP | TRW | |
| FRONT (PAD) | SP1051 | 21360 | D317-7169 | | GDB1036 | |



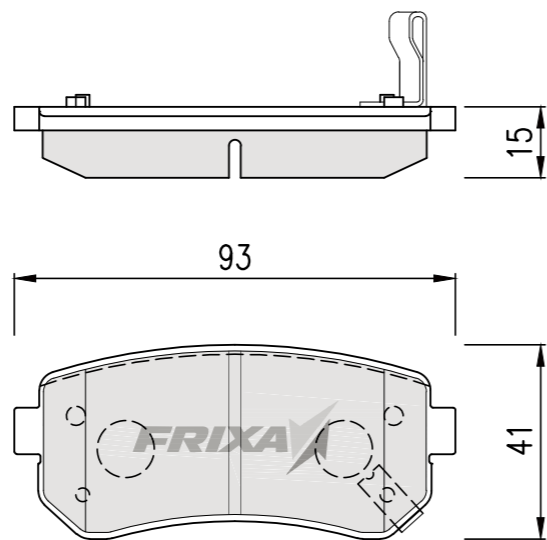
| FPK03 | | KIA | | | | |
|----------------------|--|-------|-----------|--------|---------|--|
| PART NUMBER | OK20A-3323Z | | | | | |
| REPRESENTATIVE MODEL | SEPHIA | | | | | |
| INTERCHANGEABLE | SEPHIA I/II(92.-00.06), SHUMA(97.03-99.) | | | | | |
| PO | SP | WVA | FMSI | HP | TRW | |
| FRONT (PAD) | SP1063 | 23384 | D649-7529 | HP1003 | GDB3096 | |



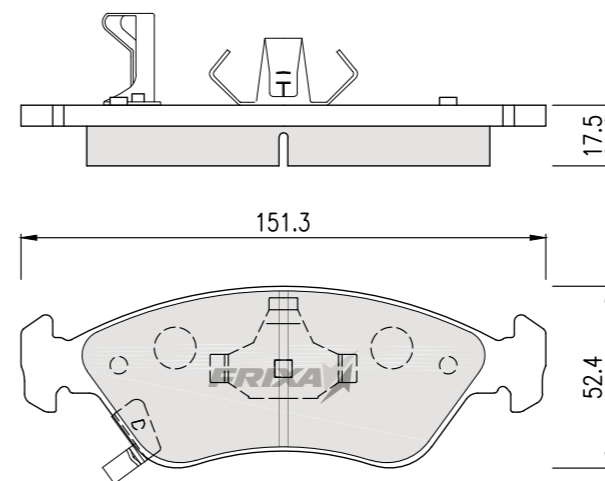
| FPK01N | | KIA | | | | |
|----------------------|---|-------|------------|----|---------|--|
| PART NUMBER | 58101-1GA00 | | | | | |
| REPRESENTATIVE MODEL | PRIDE(NEW) | | | | | |
| INTERCHANGEABLE | PRIDE 05MY(NEW RIO) (05.08-11.10), VERNA(ACCENT) 05MY(05.08-10.12) | | | | | |
| PO | SP | WVA | FMSI | HP | TRW | |
| FRONT (PAD) | SP1186 | 24317 | D1156-8266 | | GDB3420 | |



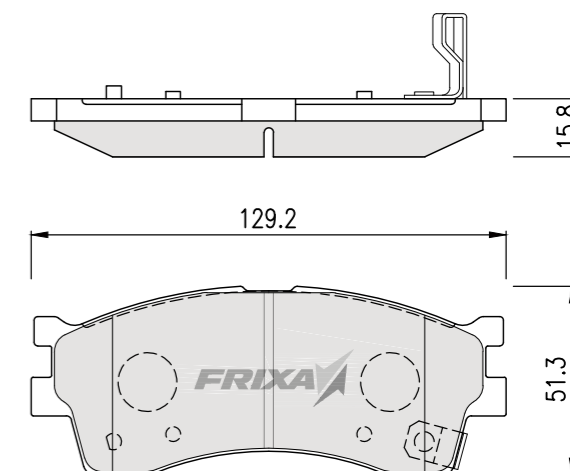
| FPK01NR | | KIA | | | | |
|----------------------|--|-------|------------|----|---------|--|
| PART NUMBER | 58302-1GA00 | | | | | |
| REPRESENTATIVE MODEL | PRIDE 05MY R | | | | | |
| INTERCHANGEABLE | VERNA 05MY(05.08-10.12), PRIDE 05MY(05.08-11.10) | | | | | |
| PO | SP | WVA | FMSI | HP | TRW | |
| REAR (PAD) | SP1187 | 24320 | D1157-8267 | | GDB3421 | |



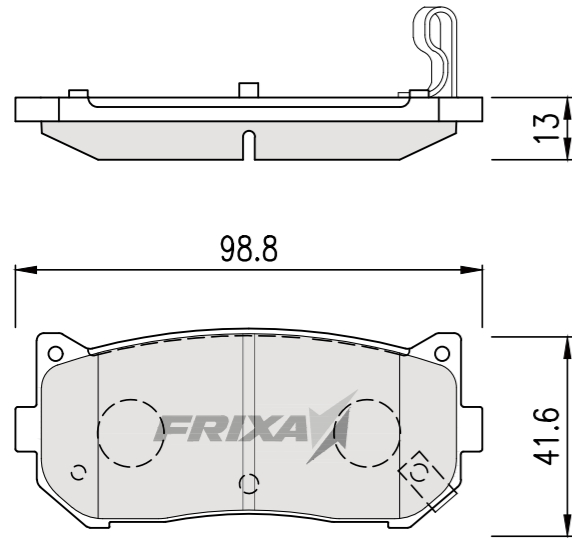
| FPK04 | | KIA | | | | |
|----------------------|---------------------|-------|------|--------|---------|--|
| PART NUMBER | OK9A0-3328Z | | | | | |
| REPRESENTATIVE MODEL | CREDOS | | | | | |
| INTERCHANGEABLE | CREDOS(95.03-98.03) | | | | | |
| PO | SP | WVA | FMSI | HP | TRW | |
| FRONT (PAD) | SP1079-F | 23450 | | HP1007 | GDB3173 | |



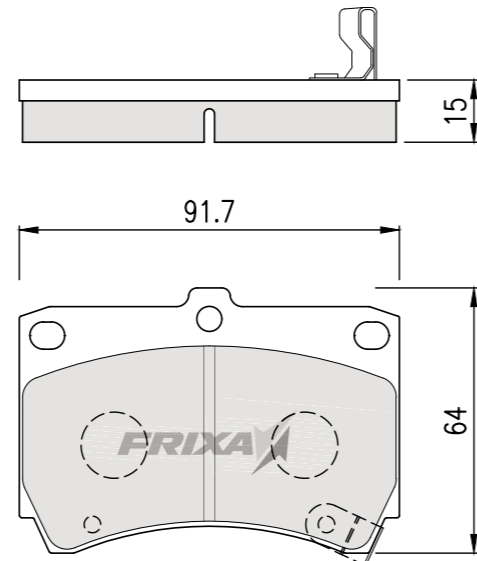
| FPK04N | | KIA | | | | |
|----------------------|---|-------|-----------|--------|---------|--|
| PART NUMBER | OK2N1-3328Z | | | | | |
| REPRESENTATIVE MODEL | CREDOS II | | | | | |
| INTERCHANGEABLE | CREDOS III(98.04-00.07), CARENS(RONDO)(99.06-02.03) | | | | | |
| PO | SP | WVA | FMSI | HP | TRW | |
| FRONT (PAD) | SP1113 | 23873 | D889-7767 | HP1008 | GDB3245 | |



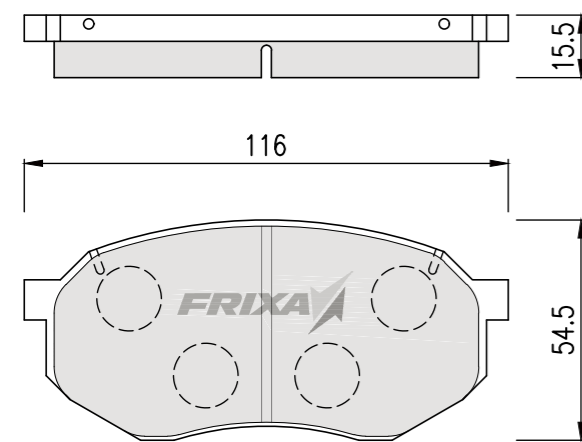
| FPK04R | | KIA | | | | |
|----------------------|--|-------|-----------|----|-----|--|
| PART NUMBER | OK2FA-2628Z | | | | | |
| REPRESENTATIVE MODEL | CREDOS R | | | | | |
| INTERCHANGEABLE | CREDOS I/II(95.03-00.07), SEPHIA II(95.-99.), SHUMA(97.-99.) | | | | | |
| PO | SP | WVA | FMSI | HP | TRW | |
| REAR (PAD) | SP1079-R | 23455 | D775-7642 | | | |



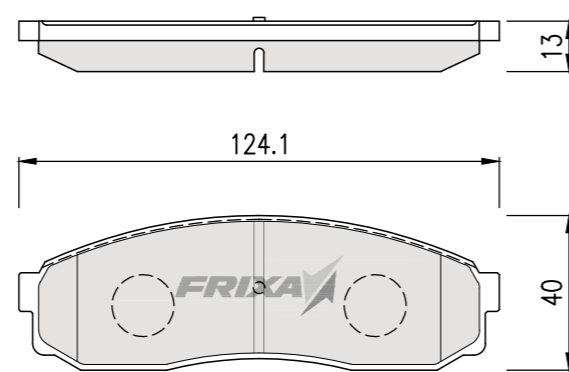
| FPK05 | | KIA | | | | |
|----------------------|---|-------|-----------|--------|---------|--|
| PART NUMBER | OK30A-3328Z | | | | | |
| REPRESENTATIVE MODEL | AVELLA | | | | | |
| INTERCHANGEABLE | AVELLA(94.02-99.12), ELAN(96.07-98.), RIO(99.11-02.05), FORD FESTIVA 94", FORD LASER 90", MAZDA 121 90" | | | | | |
| PO | SP | WVA | FMSI | HP | TRW | |
| FRONT (PAD) | SP1067 | 21654 | D466-7219 | HP1002 | GDB1024 | |



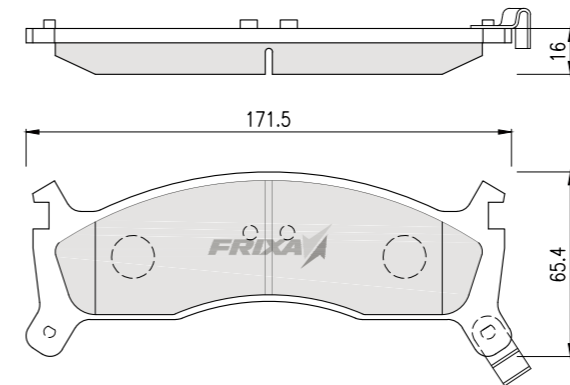
| FPK06 | | KIA | | | | |
|----------------------|-----------------------|-------|-----------|--------|-----|--|
| PART NUMBER | OK998-3328Z | | | | | |
| REPRESENTATIVE MODEL | POTENTIA | | | | | |
| INTERCHANGEABLE | POTENTIA(98.06-01.04) | | | | | |
| PO | SP | WVA | FMSI | HP | TRW | |
| FRONT (PAD) | SP1060-F | 21318 | 7276-D389 | HP1005 | | |



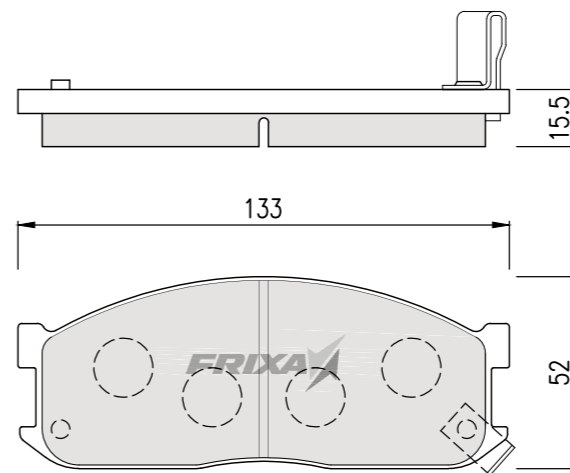
| FPK06R | | KIA | | | | |
|----------------------|-----------------------|-----|------|--------|-----|--|
| PART NUMBER | OK9Y1-2643ZA | | | | | |
| REPRESENTATIVE MODEL | POTENTIA R | | | | | |
| INTERCHANGEABLE | POTENTIA(NEW)(98.06-) | | | | | |
| PO | SP | WVA | FMSI | HP | TRW | |
| REAR (PAD) | SP1084 | | | HP1006 | | |



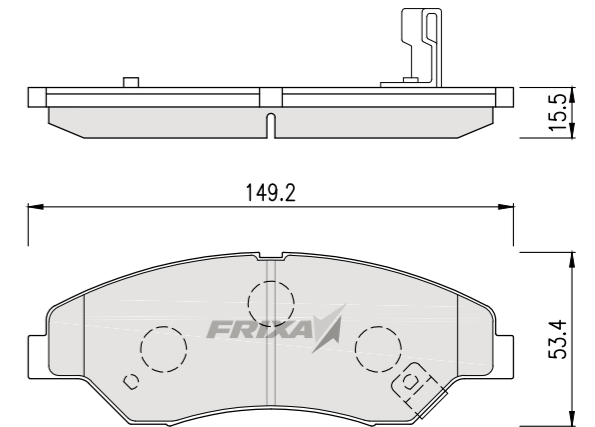
| FPK07 | | KIA | | | | |
|----------------------|--------------------|-------|-----------|--------|---------|--|
| PART NUMBER | OK011-3323Z | | | | | |
| REPRESENTATIVE MODEL | SPORTAGE | | | | | |
| INTERCHANGEABLE | SPORTAGE(93.-00.) | | | | | |
| PO | SP | WVA | FMSI | HP | TRW | |
| FRONT (PAD) | SP1070 | 21892 | D670-7550 | HP1028 | GDB3123 | |



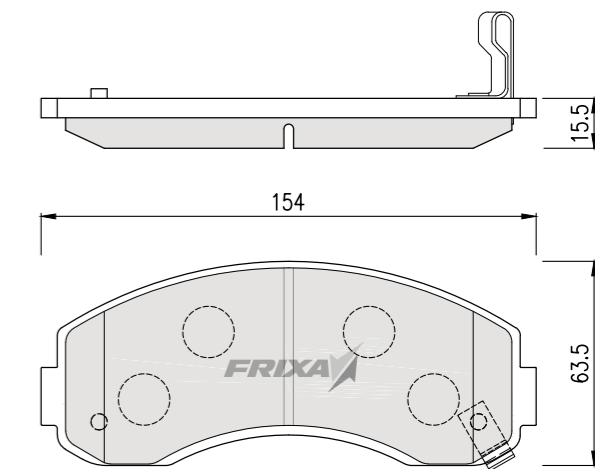
| FPK08 | | KIA | | | | |
|----------------------|---|-------|------------|--------|--------|--|
| PART NUMBER | OK70Y-3328Z | | | | | |
| REPRESENTATIVE MODEL | BESTA | | | | | |
| INTERCHANGEABLE | BESTA(87.07-97.04), WIDE BONGO(96.01-97.04), FRONTIER(OLD)(97.10-99.06) | | | | | |
| PO | SP | WVA | FMSI | HP | TRW | |
| FRONT (PAD) | SP1044 | 20002 | D1199-8319 | HP1010 | GDB737 | |



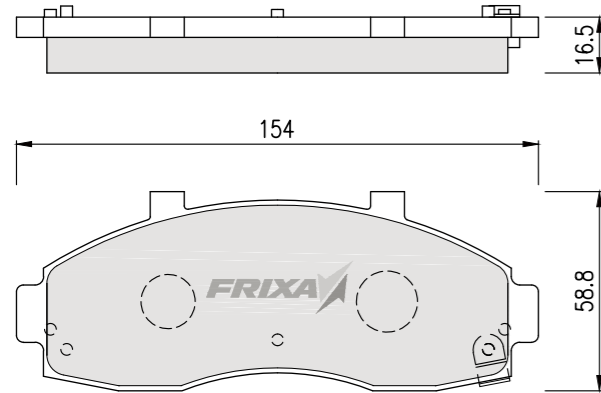
| FPK07N | | KIA | | | | |
|----------------------|--|-------|-----------|--------|---------|--|
| PART NUMBER | OK045-3323Z | | | | | |
| REPRESENTATIVE MODEL | SPORTAGE GRAND | | | | | |
| INTERCHANGEABLE | SPORTAGE GRAND(00.-02.), RETONA(00.-02.) | | | | | |
| PO | SP | WVA | FMSI | HP | TRW | |
| FRONT (PAD) | SP1118 | 23442 | D774-7641 | HP1015 | GDB3241 | |



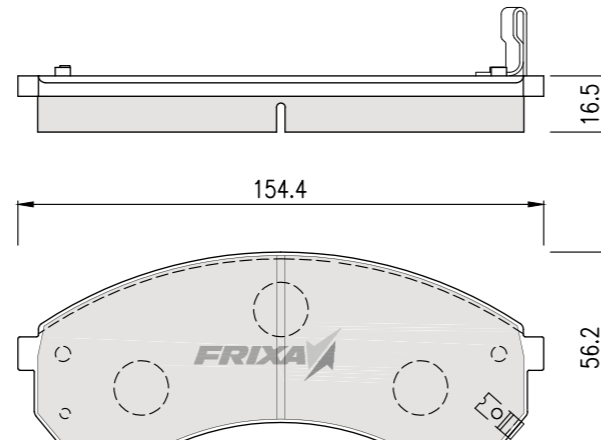
| FPK09 | | KIA | | | | |
|----------------------|---|-------|------------|--------|---------|--|
| PART NUMBER | OK60A-3328Z | | | | | |
| REPRESENTATIVE MODEL | NEW FRONTIER | | | | | |
| INTERCHANGEABLE | NEW FRONTIER(99.06-03.12), TOPIC(87.-91.) | | | | | |
| PO | SP | WVA | FMSI | HP | TRW | |
| FRONT (PAD) | SP1056 | 23784 | D1513-8722 | HP1014 | GDB3145 | |



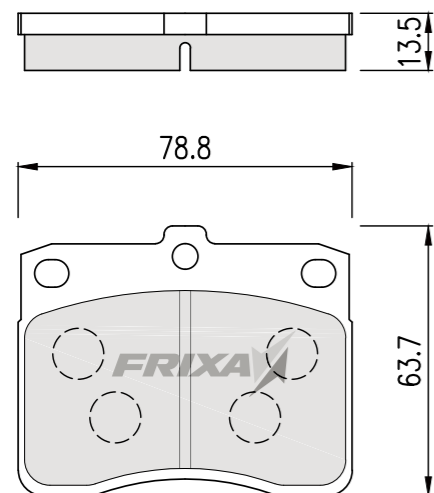
| FPK10 | | KIA | | | | |
|----------------------|---------------------|-------|------|--------|---------|--|
| PART NUMBER | OK72A-3328Z | | | | | |
| REPRESENTATIVE MODEL | PREGIO | | | | | |
| INTERCHANGEABLE | PREGIO(95.10-98.05) | | | | | |
| PO | SP | WVA | FMSI | HP | TRW | |
| FRONT (PAD) | SP1091 | 23484 | | HP1013 | GDB3263 | |



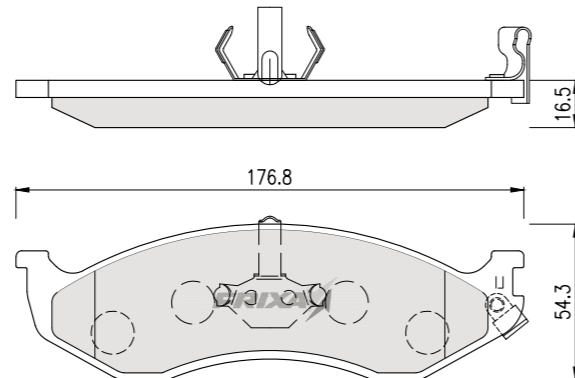
| FPK10N | | KIA | | | | |
|----------------------|---|-------|------|--------|---------|--|
| PART NUMBER | OK56A-3323Z | | | | | |
| REPRESENTATIVE MODEL | NEW PREGIO | | | | | |
| INTERCHANGEABLE | NEW PREGIO(98.06-03.12), CARNIVAL(SEDONA) II(99.01-03.12) | | | | | |
| PO | SP | WVA | FMSI | HP | TRW | |
| FRONT (PAD) | SP1116 | 23649 | | HP1012 | GDB3261 | |



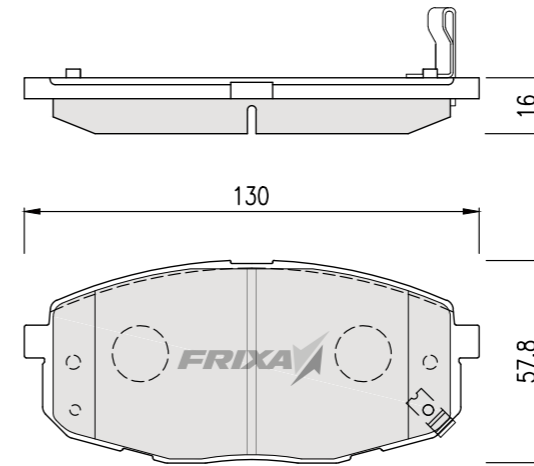
| FPK11 | | KIA | | | | |
|----------------------|----------------------------|-------|------|--------|-----|--|
| PART NUMBER | AA100-33625 | | | | | |
| REPRESENTATIVE MODEL | TOWNER | | | | | |
| INTERCHANGEABLE | TOWNER(TRUCK/VAN)(96.-02.) | | | | | |
| PO | SP | WVA | FMSI | HP | TRW | |
| FRONT (PAD) | SP1073 | 20780 | | HP1019 | | |



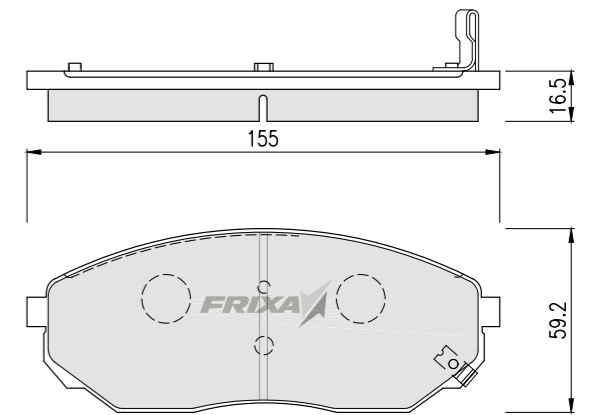
| FPK13 | | KIA | | | | |
|----------------------|-------------------------------|-------|------------|--------|---------|--|
| PART NUMBER | OK552-3323Z | | | | | |
| REPRESENTATIVE MODEL | CARNIVAL(SEDONA) | | | | | |
| INTERCHANGEABLE | CARNIVAL(SEDONA)(98.01-99.01) | | | | | |
| PO | SP | WVA | FMSI | HP | TRW | |
| FRONT (PAD) | SP1112 | 21822 | D477-7338A | HP1011 | GDB1153 | |



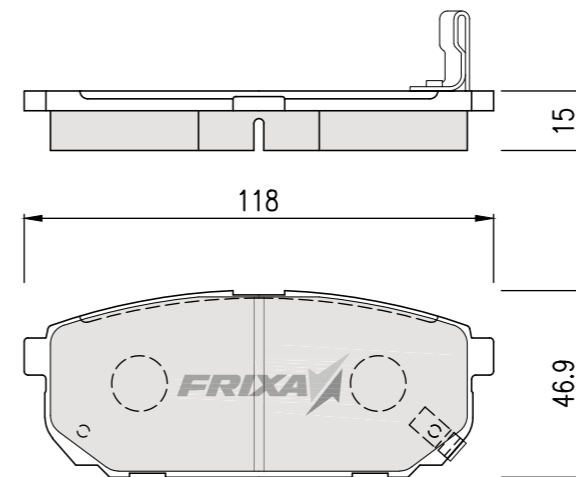
| FPK14N | | KIA | | | | |
|----------------------|--|-------|------|--------|---------|--|
| PART NUMBER | OK2FA-3328Z | | | | | |
| REPRESENTATIVE MODEL | CARENS(RONDO) II | | | | | |
| INTERCHANGEABLE | CARENS(RONDO) II(02.03-06.03), X-TREK(03.04-06.03) | | | | | |
| PO | SP | WVA | FMSI | HP | TRW | |
| FRONT (PAD) | SP1162 | 23966 | | HP1020 | GDB3342 | |



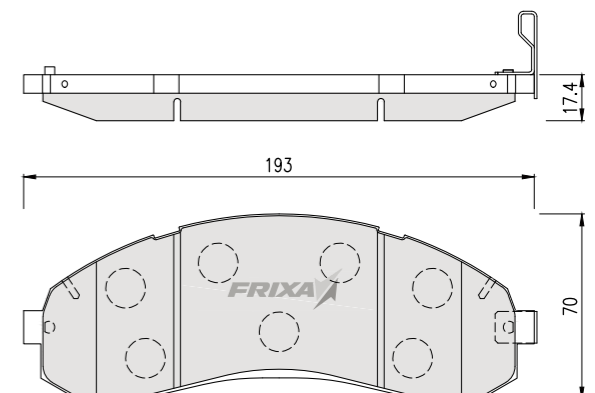
| FPK15 | | KIA | | | | |
|----------------------|----------------------|-------|------------|--------|---------|--|
| PART NUMBER | 58101-3E000 | | | | | |
| REPRESENTATIVE MODEL | SORNETO | | | | | |
| INTERCHANGEABLE | SORNETO(02.02-09.03) | | | | | |
| PO | SP | WVA | FMSI | HP | TRW | |
| FRONT (PAD) | SP1153 | 24092 | D1301-8417 | HP1017 | GDB3452 | |



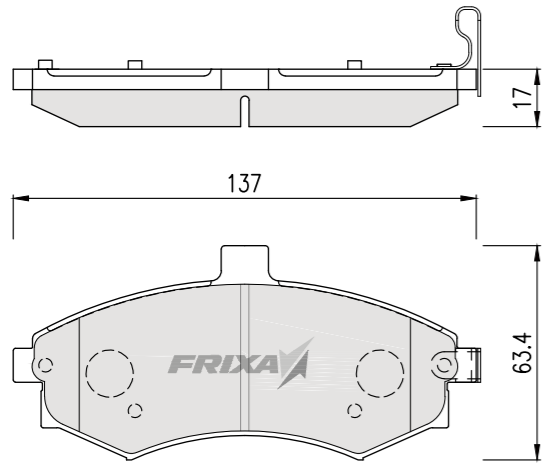
| FPK15R | | KIA | | | | |
|----------------------|--------------------|-------|------------|--------|---------|--|
| PART NUMBER | 58302-3ED00 | | | | | |
| REPRESENTATIVE MODEL | SORNETO R | | | | | |
| INTERCHANGEABLE | SORNETO(02.01-) | | | | | |
| PO | SP | WVA | FMSI | HP | TRW | |
| REAR (PAD) | SP1154 | 23993 | D1261-8379 | HP1018 | GDB3344 | |



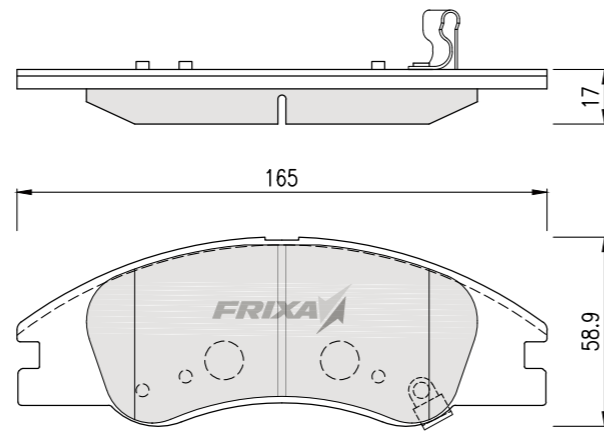
| FPK16 | | KIA | | | | |
|----------------------|---|-----|------|--------|-----|--|
| PART NUMBER | OK40D-3328Z | | | | | |
| REPRESENTATIVE MODEL | BONGO III 1.4TON | | | | | |
| INTERCHANGEABLE | FRONTIER1.3TON(99.06-03.12), BONGO III 1.4TON(04.01-), PAMAX1.4TON-3.5TON(04.01-) | | | | | |
| PO | SP | WVA | FMSI | HP | TRW | |
| FRONT (PAD) | SP1148 | | | HP1016 | | |



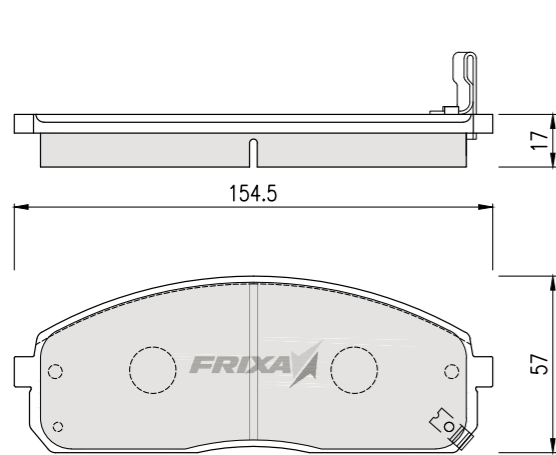
| FPK17 | | KIA |
|----------------------|--|---------|
| PART NUMBER | 58101-17A10 | |
| REPRESENTATIVE MODEL | CERATO(FORTE) | |
| INTERCHANGEABLE | CERATO(FORTE)1.5(14")(03.10-05.03), LAVITA(NEW)(02.04-) AVANTE(ELANTRA)XD1.5(ABS)(02.04-04.04) | |
| PO | SP | WVA |
| FRONT (PAD) | SP1152 | 24031 |
| | FMSI | HP |
| | D941-7843 | HP0027 |
| | TRW | GDB3378 |



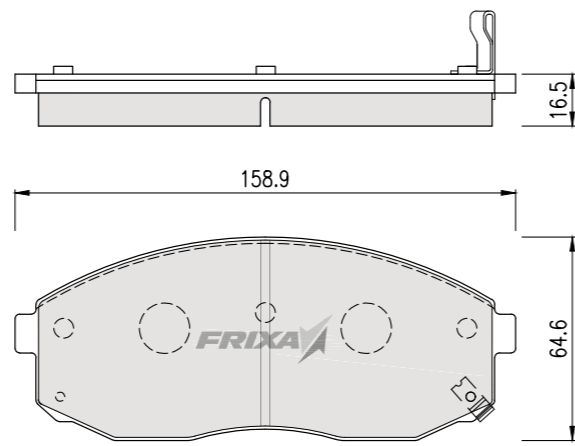
| FPK17N | | KIA |
|----------------------|------------------------------------|---------|
| PART NUMBER | 58101-2FA10 | |
| REPRESENTATIVE MODEL | CERATO(FORTE) 15" | |
| INTERCHANGEABLE | CERATO(FORTE)2.0(15")(03.10-05.03) | |
| PO | SP | WVA |
| FRONT (PAD) | SP1167 | 24218 |
| | FMSI | HP |
| | D1074-7979 | HP1031 |
| | TRW | GDB3367 |



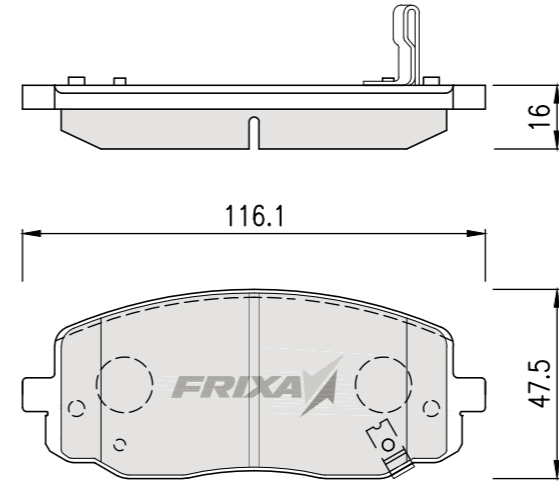
| FPK18 | | KIA |
|----------------------|--------------------------|--------|
| PART NUMBER | 58101-4EA00 | |
| REPRESENTATIVE MODEL | BONGO III TRUCK | |
| INTERCHANGEABLE | BONGO III TRUCK(04.01-) | |
| PO | SP | WVA |
| FRONT (PAD) | SP1175 | |
| | FMSI | HP |
| | | HP1023 |
| | TRW | |



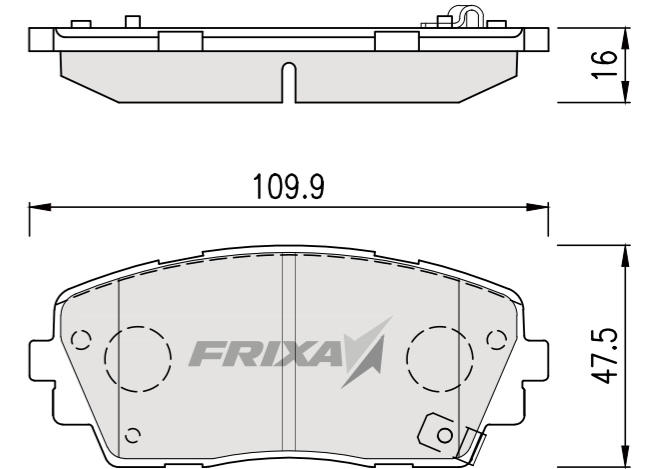
| FPK19 | | KIA |
|----------------------|------------------------|--------|
| PART NUMBER | 58101-4EB00 | |
| REPRESENTATIVE MODEL | BONGO III VAN | |
| INTERCHANGEABLE | BONGO III VAN(04.01-) | |
| PO | SP | WVA |
| FRONT (PAD) | SP1176 | |
| | FMSI | HP |
| | | HP1024 |
| | TRW | |



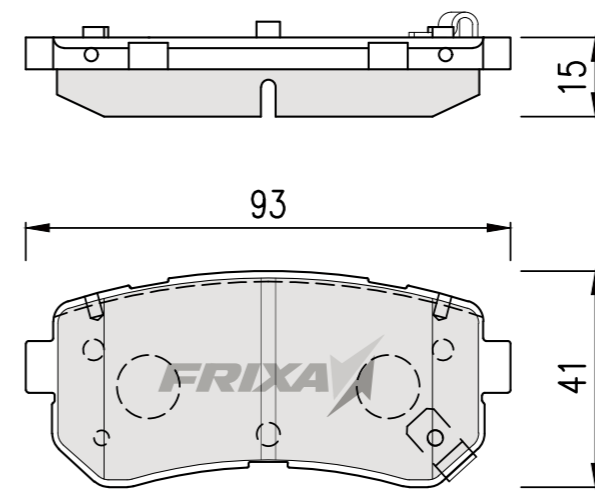
| FPK20 | | KIA |
|----------------------|-------------------------------|--------|
| PART NUMBER | 58101-07A00 | |
| REPRESENTATIVE MODEL | MORNING(PICANTO) | |
| INTERCHANGEABLE | MORNING(PICANTO)(04.01-10.12) | |
| PO | SP | WVA |
| FRONT (PAD) | SP1172 | 24275 |
| | FMSI | HP |
| | D1601-8815 | HP1025 |
| | TRW | |



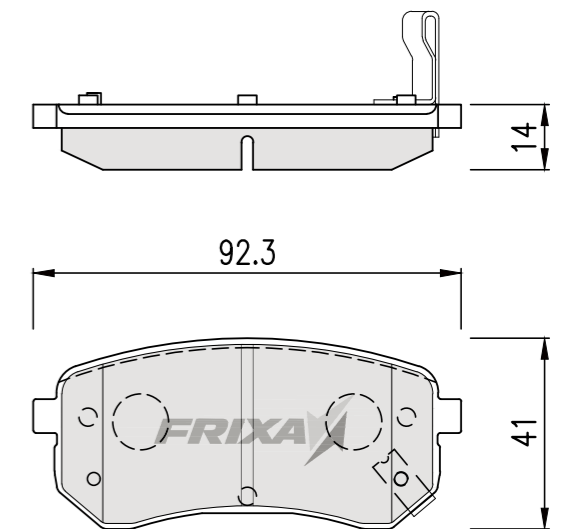
| FPK20N | | KIA |
|----------------------|--|-------|
| PART NUMBER | 58101-1YA00 | |
| REPRESENTATIVE MODEL | MORNING(PICANTO) 11MY | |
| INTERCHANGEABLE | MORNING(PICANTO) 11MY(11.02-), RAY(11.11-) | |
| PO | SP | WVA |
| FRONT (PAD) | SP1405 | 25365 |
| | FMSI | HP |
| | | |
| | TRW | |



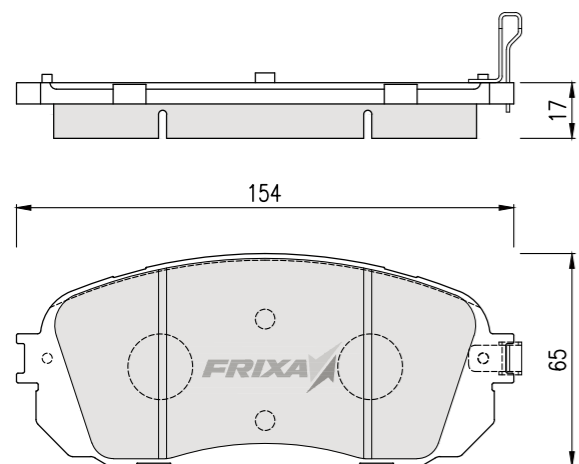
| FPK20NR | | KIA |
|----------------------|--|-----|
| PART NUMBER | 58302-1YA00 | |
| REPRESENTATIVE MODEL | MORNING(PICANTO) 11MY R | |
| INTERCHANGEABLE | MORNING(PICANTO) 11MY(11.02-), RAY(11.11-) | |
| PO | SP | WVA |
| REAR (PAD) | SP1406 | |
| | FMSI | HP |
| | | |
| | TRW | |



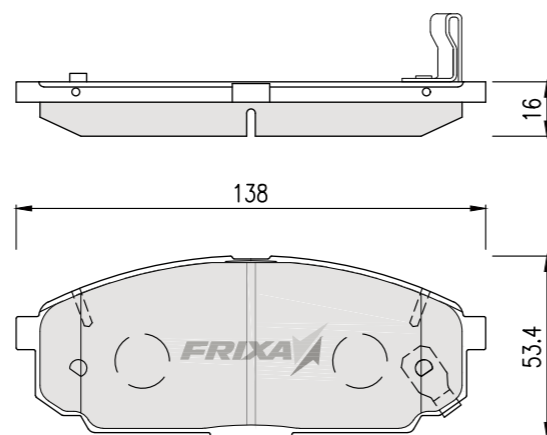
| FPK20R | | KIA |
|----------------------|-------------------------------|-------|
| PART NUMBER | 58302-07A00 | |
| REPRESENTATIVE MODEL | MORNING(PICANTO) R | |
| INTERCHANGEABLE | MORNING(PICANTO)(04.01-10.12) | |
| PO | SP | WVA |
| REAR (PAD) | SP1189 | 24276 |
| | FMSI | HP |
| | | |
| | TRW | |



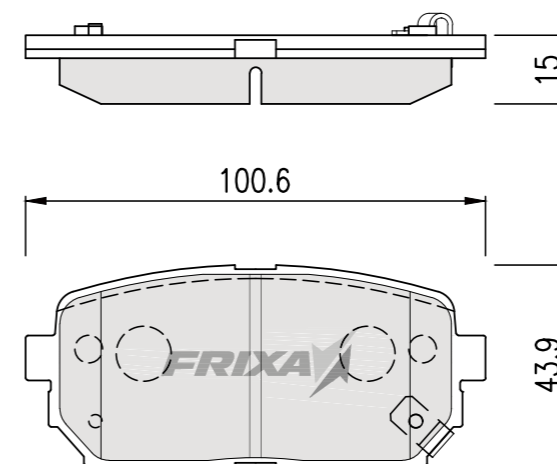
| FPK22 | | KIA | | | | |
|----------------------|-------------------------------------|-----|------|----|-----|--|
| PART NUMBER | 58101-4DB00 | | | | | |
| REPRESENTATIVE MODEL | GRAND CARNIVAL(SEDONA) | | | | | |
| INTERCHANGEABLE | GRAND CARNIVAL(SEDONA)(17*)(05.07-) | | | | | |
| PO | SP | WVA | FMSI | HP | TRW | |
| FRONT (PAD) | SP1191 | | | | | |



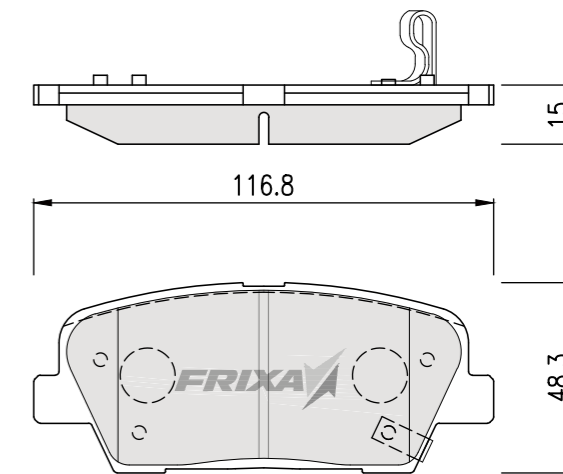
| FPK23 | | KIA | | | | |
|----------------------|-------------------------|-----|------|--------|-----|--|
| PART NUMBER | 0K95B-3328Z | | | | | |
| REPRESENTATIVE MODEL | ENTERPRISE | | | | | |
| INTERCHANGEABLE | ENTERPRISE(97.07-02.10) | | | | | |
| PO | SP | WVA | FMSI | HP | TRW | |
| FRONT (PAD) | SP1145 | | | HP1030 | | |



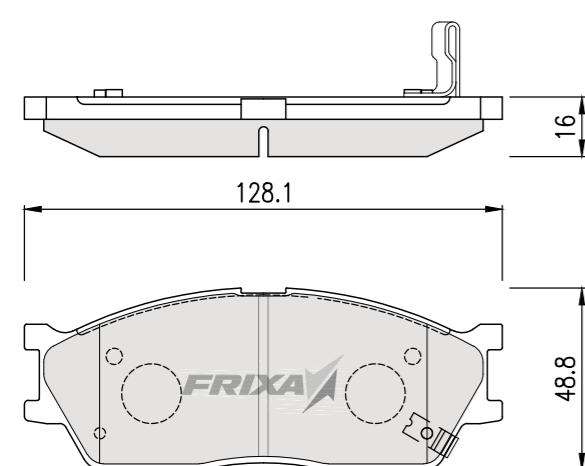
| FPK25R | | KIA | | | | |
|----------------------|---------------------------|-------|------------|----|-----|--|
| PART NUMBER | 58302-1DA00 | | | | | |
| REPRESENTATIVE MODEL | NEW CARENS(RONDO) R | | | | | |
| INTERCHANGEABLE | NEW CARENS(RONDO)(06.04-) | | | | | |
| PO | SP | WVA | FMSI | HP | TRW | |
| REAR (PAD) | SP1197 | 24491 | D1296-8413 | | | |



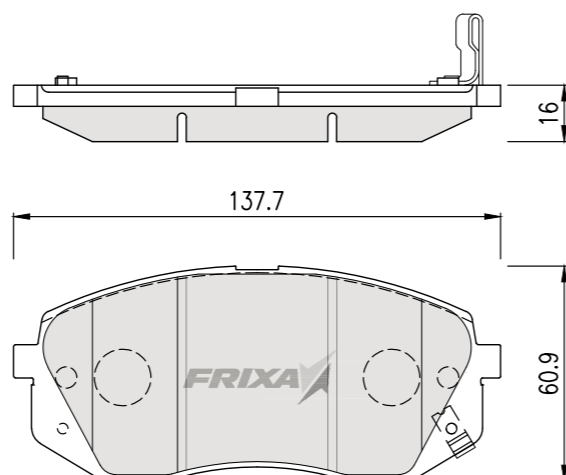
| FPK26 | | KIA | | | | |
|----------------------|------------------------|-----|------------|----|-----|--|
| PART NUMBER | 58101-2JA00 | | | | | |
| REPRESENTATIVE MODEL | MOHAVE(BOREGO) | | | | | |
| INTERCHANGEABLE | MOHAVE(BOREGO)(08.01-) | | | | | |
| PO | SP | WVA | FMSI | HP | TRW | |
| FRONT (PAD) | SP1248 | | D1385-8493 | | | |



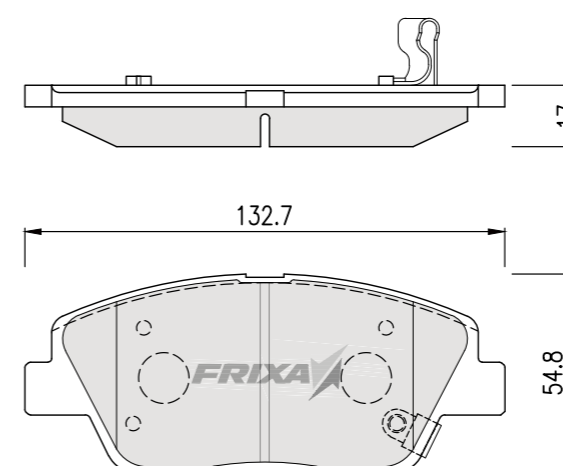
| FPK24 | | KIA | | | | |
|----------------------|-----------------------------|-----|------------|--------|-----|--|
| PART NUMBER | 58115-FDA00 | | | | | |
| REPRESENTATIVE MODEL | RIO SF1.3 | | | | | |
| INTERCHANGEABLE | RIO SF1.3(13*)(02.06-05.03) | | | | | |
| PO | SP | WVA | FMSI | HP | TRW | |
| FRONT (PAD) | SP1164 | | D1515-8724 | HP1022 | | |



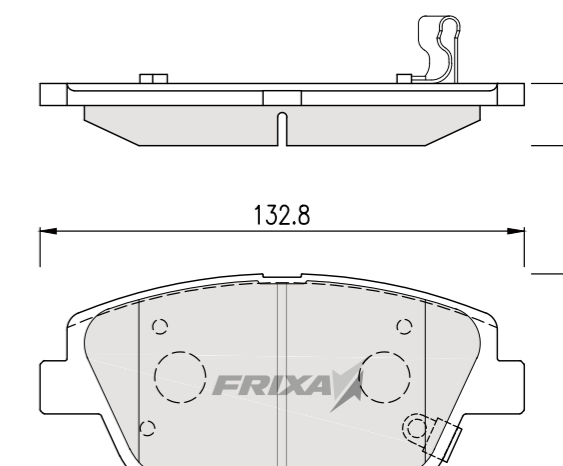
| FPK25 | | KIA | | | | |
|----------------------|---|-------|------------|----|-----|--|
| PART NUMBER | 58101-0ZA00 | | | | | |
| REPRESENTATIVE MODEL | K7(CADENZA) | | | | | |
| INTERCHANGEABLE | NEW CARENS(RONDO)(06MY)(06.04-), K7(CADENZA)(09.12-), YF SONATA 2.4 (09.09-), LF SONATA 16"(14.03-) | | | | | |
| PO | SP | WVA | FMSI | HP | TRW | |
| FRONT (PAD) | SP1196 | 24501 | D1295-8614 | | | |



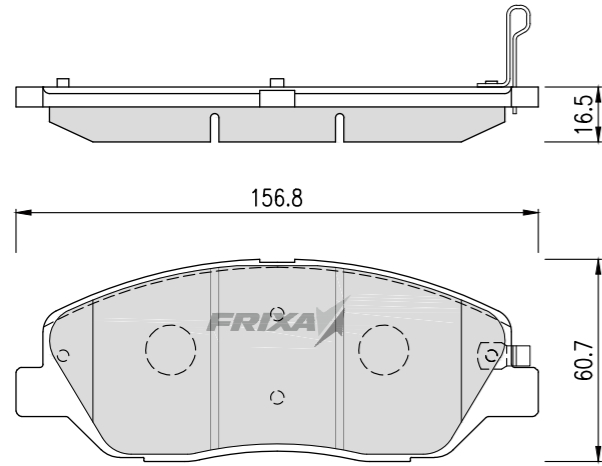
| FPK27 | | KIA | | | | |
|----------------------|---------------------------------------|-----|------|----|-----|--|
| PART NUMBER | 58101-2TA00 | | | | | |
| REPRESENTATIVE MODEL | K5(NEW OPTIMA) 15" | | | | | |
| INTERCHANGEABLE | K5(NEW OPTIMA) 2.0 (10.05-), LPG TYPE | | | | | |
| PO | SP | WVA | FMSI | HP | TRW | |
| FRONT (PAD) | SP1397 | | | | | |



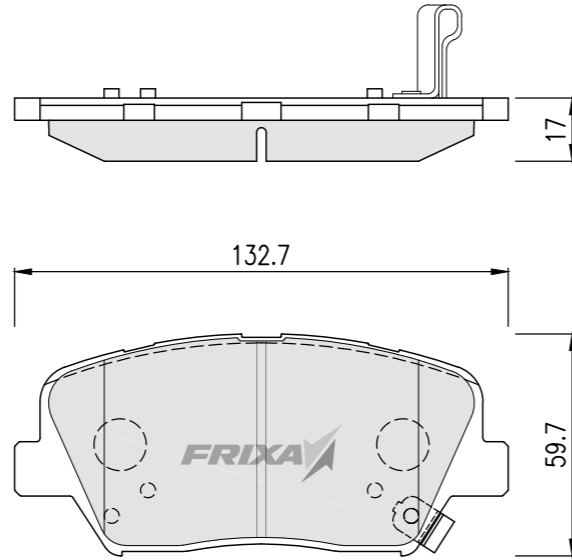
| FPK28 | | KIA | | | | |
|----------------------|--|-------|------------|----|-----|--|
| PART NUMBER | 58101-3QA10 | | | | | |
| REPRESENTATIVE MODEL | K5(NEW OPTIMA) 16" | | | | | |
| INTERCHANGEABLE | K5(NEW OPTIMA) 2.4 (10.05-), K5(NEW OPTIMA) 2.0 GDI (-17*)(11.07-) | | | | | |
| PO | SP | WVA | FMSI | HP | TRW | |
| FRONT (PAD) | SP1398 | 25644 | D1444-8595 | | | |



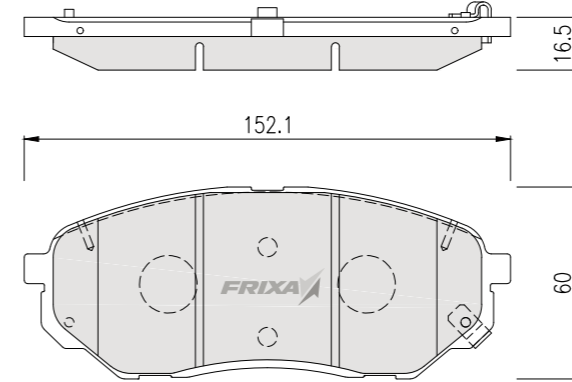
| FPK29(FPH18) | | KIA | | | | |
|----------------------|---|-------|------------|----|-----|--|
| PART NUMBER | 58101-0WA00 | | | | | |
| REPRESENTATIVE MODEL | SORENTO R 09MY | | | | | |
| INTERCHANGEABLE | NEW SANTA FE 06MY, 12MY(05.11-), CHAIRMAN H(10.01-) | | | | | |
| PO | SP | WVA | FMSI | HP | TRW | |
| FRONT (PAD) | SP1194 | 24351 | D1202-8322 | | | |



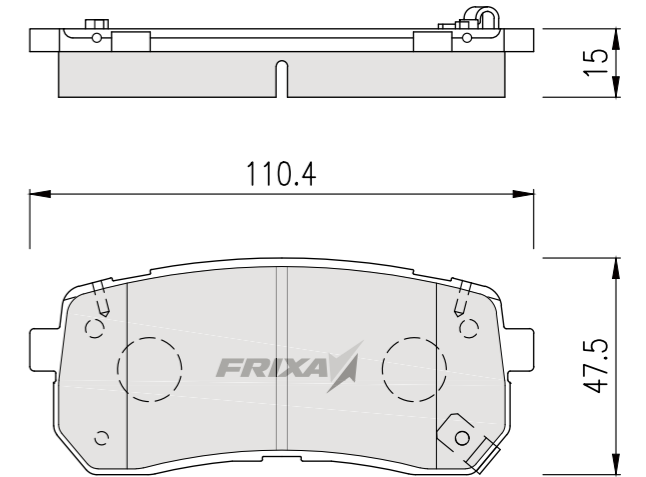
| FPK30 | | KIA | | | | |
|----------------------|--|-----|------|----|-----|--|
| PART NUMBER | 58101-3TA10 | | | | | |
| REPRESENTATIVE MODEL | K9 3.3 | | | | | |
| INTERCHANGEABLE | K9 3.3(12.03-), ALL NEW CARENS(13.03-) | | | | | |
| PO | SP | WVA | FMSI | HP | TRW | |
| FRONT (PAD) | SP1545 | | | | | |



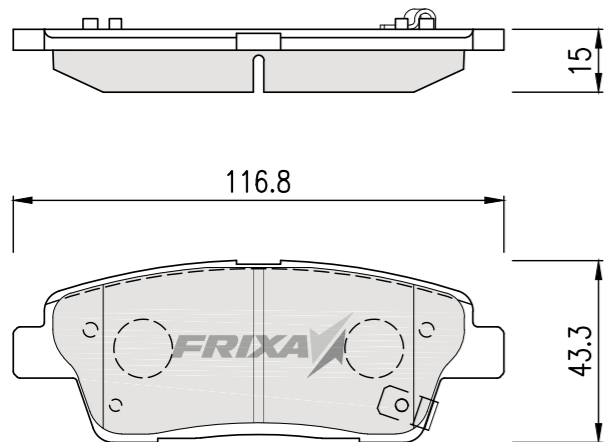
| FPK32 | | KIA | | | | |
|----------------------|-------------------|-----|------|----|-----|--|
| PART NUMBER | 58101-C5A00 | | | | | |
| REPRESENTATIVE MODEL | ALL NEW SORENTO F | | | | | |
| INTERCHANGEABLE | | | | | | |
| PO | SP | WVA | FMSI | HP | TRW | |
| FRONT (PAD) | SP1690 | | | | | |



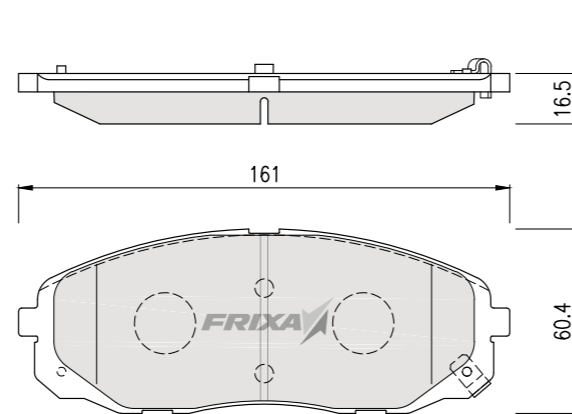
| FPK32R | | KIA | | | | |
|----------------------|-------------------|-----|------|----|-----|--|
| PART NUMBER | 58302-C5A00 | | | | | |
| REPRESENTATIVE MODEL | ALL NEW SORENTO R | | | | | |
| INTERCHANGEABLE | | | | | | |
| PO | SP | WVA | FMSI | HP | TRW | |
| REAR (PAD) | SP1691 | | | | | |



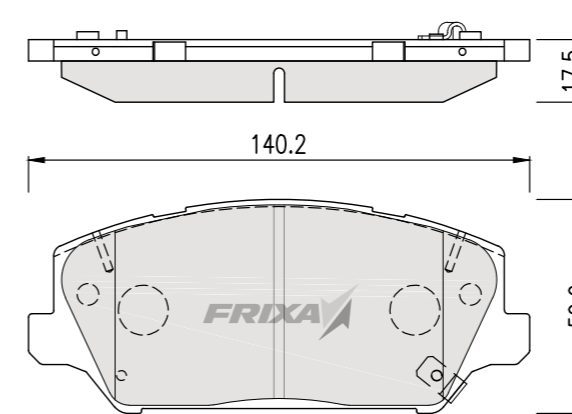
| FPK30R | | KIA | | | | |
|----------------------|----------------|-----|------------|----|-----|--|
| PART NUMBER | 58302-3MA30 | | | | | |
| REPRESENTATIVE MODEL | K9 3.3 R | | | | | |
| INTERCHANGEABLE | K9 3.3(12.03-) | | | | | |
| PO | SP | WVA | FMSI | HP | TRW | |
| REAR (PAD) | SP1546 | | D1551-8761 | | | |



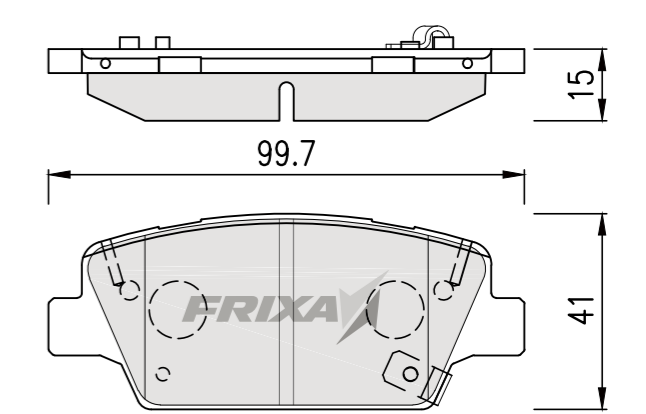
| FPK31 | | KIA | | | | |
|----------------------|--------------------|-----|------|----|-----|--|
| PART NUMBER | 58101-A9A00 | | | | | |
| REPRESENTATIVE MODEL | ALL NEW CARNIVAL F | | | | | |
| INTERCHANGEABLE | | | | | | |
| PO | SP | WVA | FMSI | HP | TRW | |
| FRONT (PAD) | SP1688 | | | | | |



| FPK33 | | KIA | | | | |
|----------------------|-------------|-----|------|----|-----|--|
| PART NUMBER | 58101 F6A10 | | | | | |
| REPRESENTATIVE MODEL | ALL NEW K7 | | | | | |
| INTERCHANGEABLE | GRANDEUR IG | | | | | |
| PO | SP | WVA | FMSI | HP | TRW | |
| FRONT (PAD) | SP1986 | | | | | |

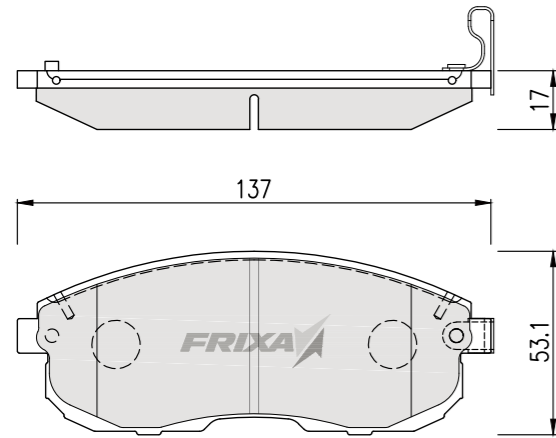


| FPK33R | | KIA | | | | |
|----------------------|-------------|-----|------|----|-----|--|
| PART NUMBER | 58302 F6A00 | | | | | |
| REPRESENTATIVE MODEL | ALL NEW K7 | | | | | |
| INTERCHANGEABLE | GRANDEUR IG | | | | | |
| PO | SP | WVA | FMSI | HP | TRW | |
| REAR (PAD) | SP1987 | | | | | |



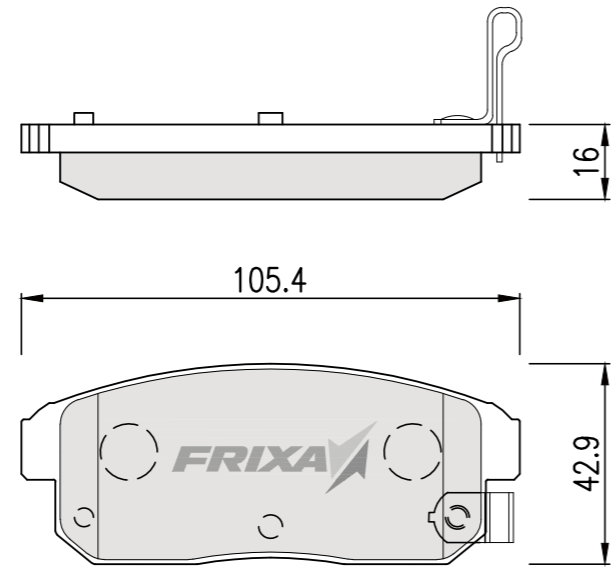
FPS01 RENAULT SAMSUNG

| | | | | | |
|----------------------|--|-------|------------|--------|---------|
| PART NUMBER | 41060-2Y090 | | | | |
| REPRESENTATIVE MODEL | SM-5 | | | | |
| INTERCHANGEABLE | 518/520/525(98.-05.03), INFINITI G20 99" INFINITI G20 01", INFINITI G20 02" | | | | |
| PO | SP | WVA | FMSI | HP | TRW |
| FRONT (PAD) | SP1107-F | 21561 | D430-7832, | HP3001 | GDB1003 |



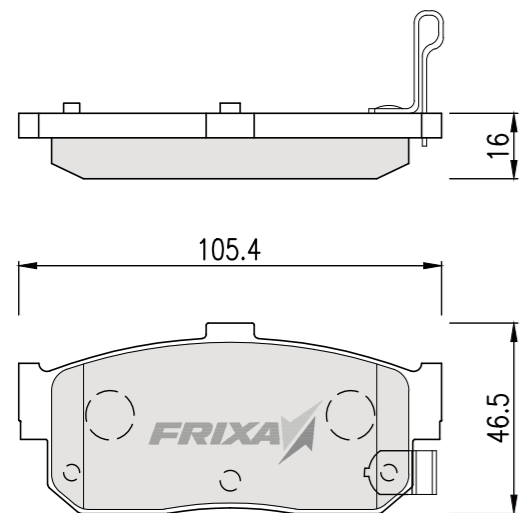
FPS01NR RENAULT SAMSUNG

| | | | | | |
|----------------------|------------------------|-------|-----------|--------|-----|
| PART NUMBER | 44060-4U092 | | | | |
| REPRESENTATIVE MODEL | SM-5 02MY R | | | | |
| INTERCHANGEABLE | SM-5 02MY(02.07-05.03) | | | | |
| PO | SP | WVA | FMSI | HP | TRW |
| REAR (PAD) | SP1163 | 24039 | D900-7777 | HP3003 | |



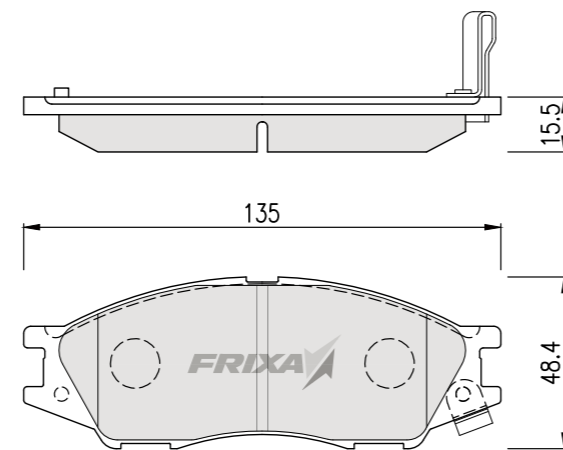
FPS01R RENAULT SAMSUNG

| | | | | | |
|----------------------|---|-------|-----------|--------|---------|
| PART NUMBER | 48311-51110K0 | | | | |
| REPRESENTATIVE MODEL | SM-5 R | | | | |
| INTERCHANGEABLE | 518/520/525(98.-05.03), INFINITI G20 (P10) 90",95"99",01",02", INFINITI I30 96",01", NISSAN 100NX(B13) 90" | | | | |
| PO | SP | WVA | FMSI | HP | TRW |
| REAR (PAD) | SP1107-R | 21713 | D540-7533 | HP3002 | GDB1172 |



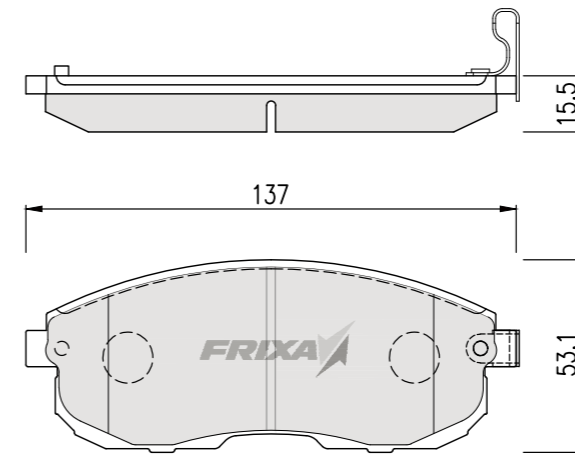
FPS02 RENAULT SAMSUNG

| | | | | | |
|----------------------|--------------------|-------|------------|--------|---------|
| PART NUMBER | 41060-4M490 | | | | |
| REPRESENTATIVE MODEL | SM-3 | | | | |
| INTERCHANGEABLE | SM-3(02.-09.06) | | | | |
| PO | SP | WVA | FMSI | HP | TRW |
| FRONT (PAD) | SP1156 | 24647 | D1193-8311 | HP3004 | GDB7043 |



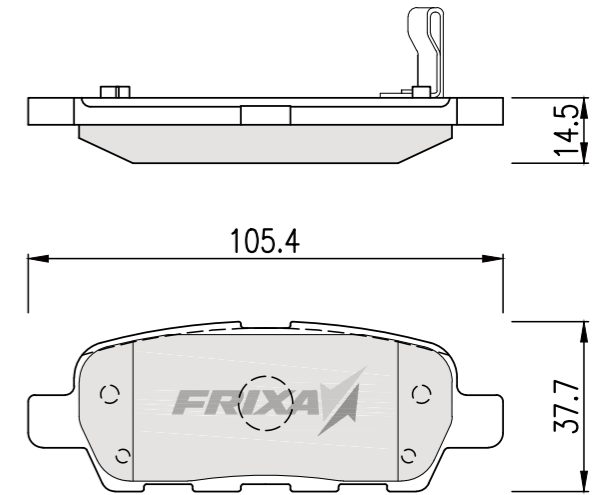
FPS03 RENAULT SAMSUNG

| | | | | | |
|----------------------|---|-----|------|--------|-----|
| PART NUMBER | 48111-52100K0 | | | | |
| REPRESENTATIVE MODEL | SM-7 | | | | |
| INTERCHANGEABLE | NEW SM-5(LATITUDE) (05.04-10.12), SM-7(05.04-11.07) | | | | |
| PO | SP | WVA | FMSI | HP | TRW |
| FRONT (PAD) | SP1183 | | | HP3005 | |



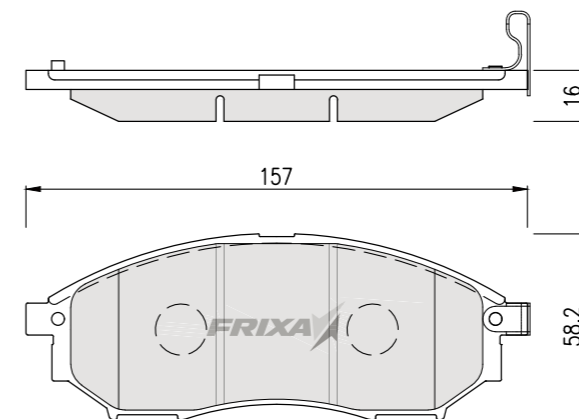
FPS03R RENAULT SAMSUNG

| | | | | | |
|----------------------|--|-------|------------|----|---------|
| PART NUMBER | 44060-8H385 | | | | |
| REPRESENTATIVE MODEL | SM-7 R | | | | |
| INTERCHANGEABLE | NEW SM-5(LATITUDE) (05.04-10.12), SM-7(05.04-11.07) INFINITI FX(S50) 03", INFINITI FX35 03",06" | | | | |
| PO | SP | WVA | FMSI | HP | TRW |
| REAR (PAD) | SP1184 | 23814 | D1393-8501 | | GDB3294 |



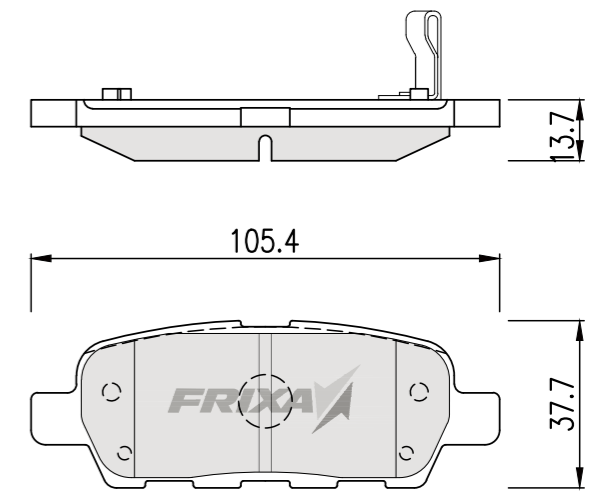
FPS04 RENAULT SAMSUNG

| | | | | | |
|----------------------|--------------------|-------|-----------|----|-----|
| PART NUMBER | 41060-0V790 | | | | |
| REPRESENTATIVE MODEL | QM-5 | | | | |
| INTERCHANGEABLE | QM-5(07.12-) | | | | |
| PO | SP | WVA | FMSI | HP | TRW |
| FRONT (PAD) | SP1249 | 23698 | D888-7766 | | |



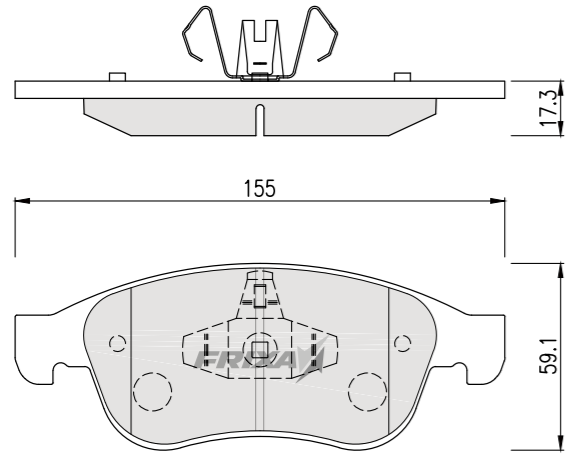
FPS04R RENAULT SAMSUNG

| | | | | | |
|----------------------|--------------------|-----|------|----|-----|
| PART NUMBER | 41060-1408R | | | | |
| REPRESENTATIVE MODEL | QM-5 R | | | | |
| INTERCHANGEABLE | QM-5(07.12-) | | | | |
| PO | SP | WVA | FMSI | HP | TRW |
| REAR (PAD) | SP1250 | | | | |



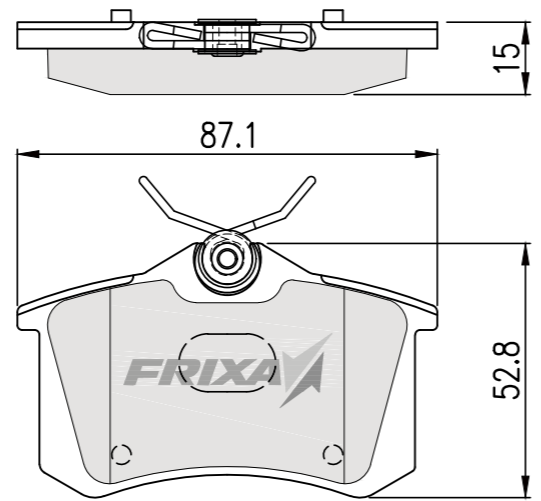
FPS05 RENAULT SAMSUNG

| | | | | | |
|----------------------|----------------------------------|-------|------------|----|---------|
| PART NUMBER | 44060-3905R | | | | |
| REPRESENTATIVE MODEL | NEW SM-3 | | | | |
| INTERCHANGEABLE | NEW SM-3(09.07-), QM-3(13.12-) | | | | |
| PO | SP | WVA | FMSI | HP | TRW |
| FRONT (PAD) | SP1390 | 24914 | D1627-8844 | | GDB1789 |



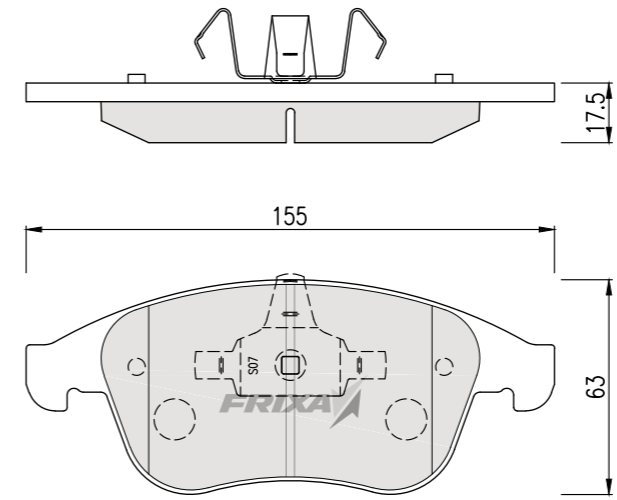
FPS05R RENAULT SAMSUNG

| | | | | | |
|----------------------|---------------------------------|-------|-----------|----|---------|
| PART NUMBER | 44060-2070R | | | | |
| REPRESENTATIVE MODEL | NEW SM-3 R | | | | |
| INTERCHANGEABLE | NEW SM-3(09.07-), SM6(16.03-) | | | | |
| PO | SP | WVA | FMSI | HP | TRW |
| REAR (PAD) | SP1391 | 20261 | D340-7234 | | GDB1196 |



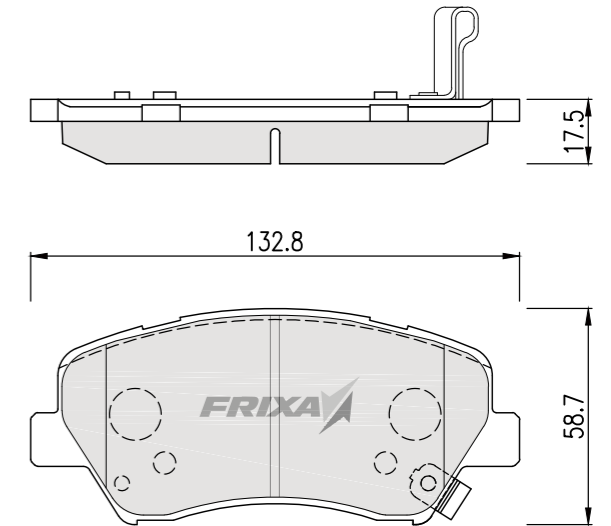
FPS07 RENAULT SAMSUNG

| | | | | | |
|----------------------|-----------------------|-----|------|----|-----|
| PART NUMBER | 41060-0311R | | | | |
| REPRESENTATIVE MODEL | ALL NEW SM-7 | | | | |
| INTERCHANGEABLE | ALL NEW SM-7(11.08-) | | | | |
| PO | SP | WVA | FMSI | HP | TRW |
| FRONT (PAD) | SP1516 | | | | |



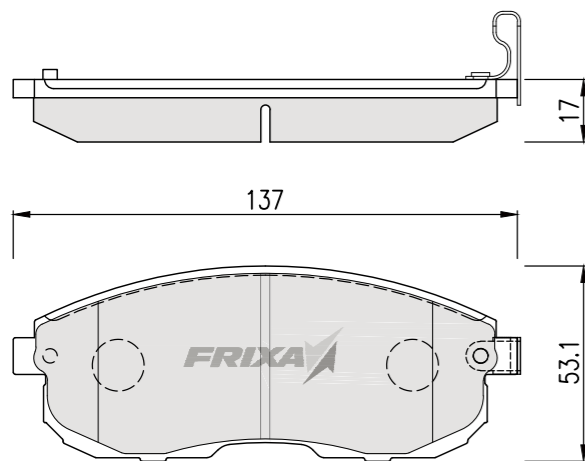
FPS08 RENAULT SAMSUNG

| | | | | | |
|----------------------|--------------------|-----|------|----|-----|
| PART NUMBER | 41060-8736R | | | | |
| REPRESENTATIVE MODEL | SM-3 13MY | | | | |
| INTERCHANGEABLE | | | | | |
| PO | SP | WVA | FMSI | HP | TRW |
| FRONT (PAD) | SP1687 | | | | |



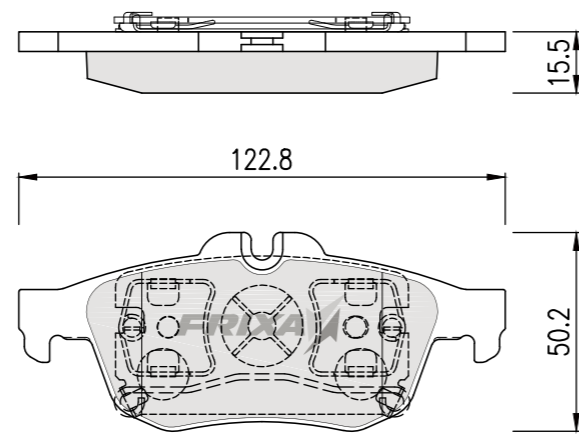
FPS06 RENAULT SAMSUNG

| | | | | | |
|----------------------|----------------------------------|-------|-----------|----|-----|
| PART NUMBER | 41060-1605R | | | | |
| REPRESENTATIVE MODEL | NEW SM-5 11MY | | | | |
| INTERCHANGEABLE | NEW SM-5(LATITUDE) 11MY(11.01-) | | | | |
| PO | SP | WVA | FMSI | HP | TRW |
| FRONT (PAD) | SP1107-FA | 24280 | D815-7318 | | |



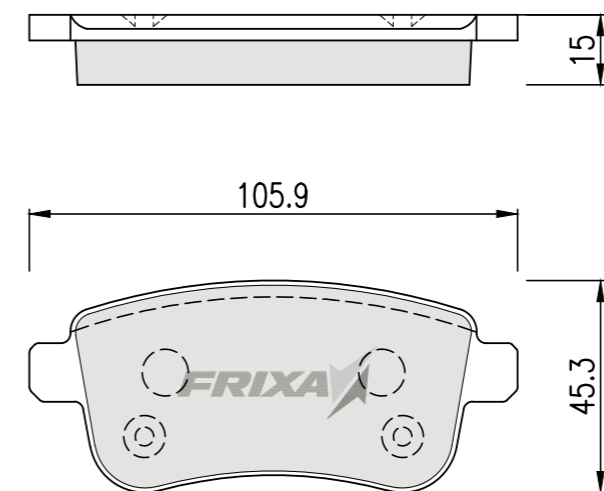
FPS06R RENAULT SAMSUNG

| | | | | | |
|----------------------|---|-------|------------|----|-----|
| PART NUMBER | 44060-2154R | | | | |
| REPRESENTATIVE MODEL | NEW SM-5 R | | | | |
| INTERCHANGEABLE | NEW SM-5(LATITUDE) 11MY(11.01-), ALL NEW SM-7(11.08-) | | | | |
| PO | SP | WVA | FMSI | HP | TRW |
| REAR (PAD) | SP1396 | 25265 | D1757-8985 | | |



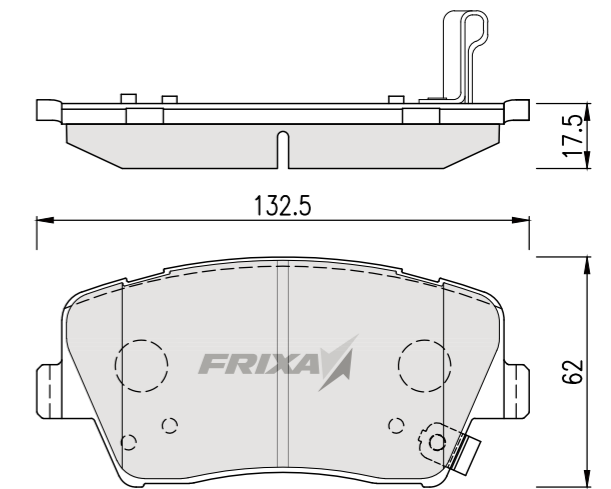
FPS08R RENAULT SAMSUNG

| | | | | | |
|----------------------|--------------------|-------|------|----|-----|
| PART NUMBER | 44060-4694R | | | | |
| REPRESENTATIVE MODEL | SM-3 13MY | | | | |
| INTERCHANGEABLE | | | | | |
| PO | SP | WVA | FMSI | HP | TRW |
| REAR (PAD) | SP1839 | 24820 | | | |



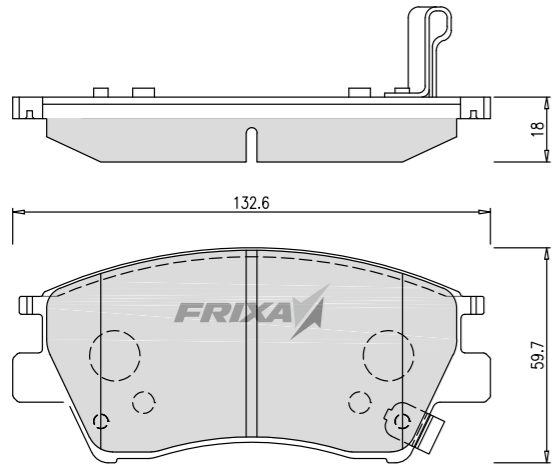
FPS09 RENAULT SAMSUNG

| | | | | | |
|----------------------|--------------------|-----|------|----|-----|
| PART NUMBER | 41060 3152R | | | | |
| REPRESENTATIVE MODEL | ALL NE SM-7 14MY | | | | |
| INTERCHANGEABLE | | | | | |
| PO | SP | WVA | FMSI | HP | TRW |
| FRONT (PAD) | SP1778 | | | | |



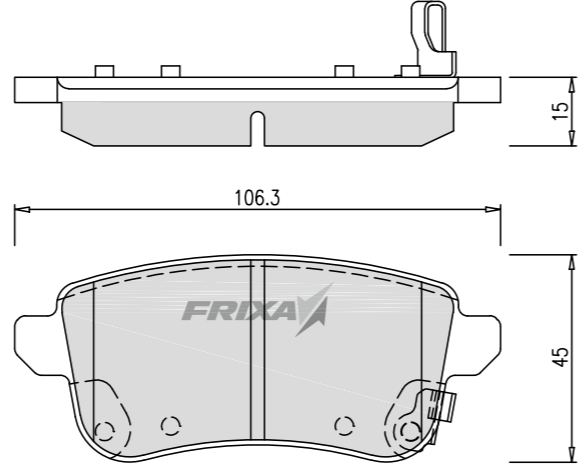
FPS10 RENAULT SAMSUNG

| | | | | | |
|----------------------|----------------------------------|-----|------|----|-----|
| PART NUMBER | 41060 7018R | | | | |
| REPRESENTATIVE MODEL | SM-6 | | | | |
| INTERCHANGEABLE | NEW SM-3(09.07-), QM-3(13.12-) | | | | |
| PO | SP | WVA | FMSI | HP | TRW |
| FRONT (PAD) | SP1704 | | | | |



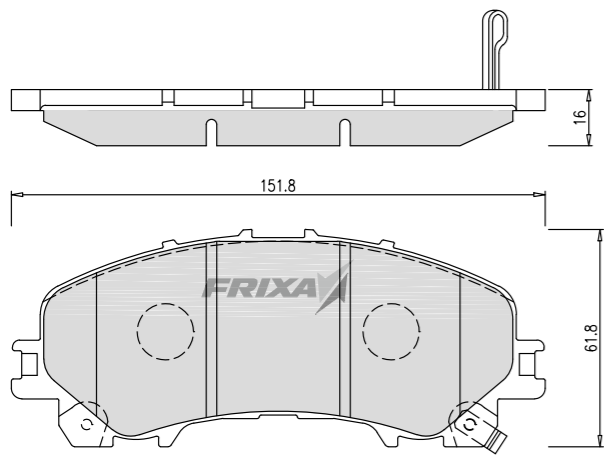
FPS10R RENAULT SAMSUNG

| | | | | | |
|----------------------|--------------------|-----|------|----|-----|
| PART NUMBER | 44060 7082R | | | | |
| REPRESENTATIVE MODEL | SM-6 EPB | | | | |
| INTERCHANGEABLE | | | | | |
| PO | SP | WVA | FMSI | HP | TRW |
| REAR (PAD) | SP1903 | | | | |



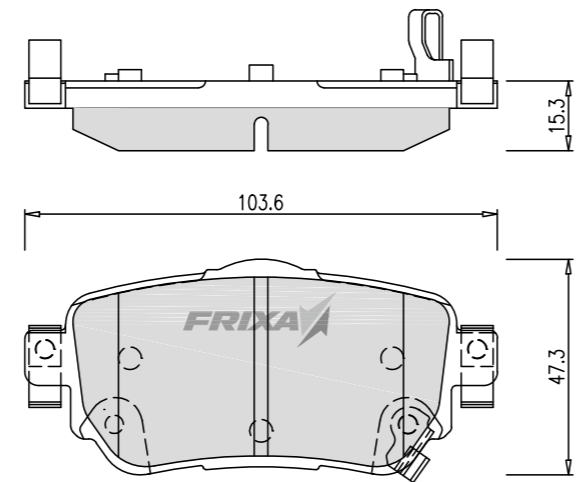
FPS11 RENAULT SAMSUNG

| | | | | | |
|----------------------|--------------------|-------|------------|----|-----|
| PART NUMBER | 41060 7185R | | | | |
| REPRESENTATIVE MODEL | QM-6 | | | | |
| INTERCHANGEABLE | | | | | |
| PO | SP | WVA | FMSI | HP | TRW |
| FRONT (PAD) | SP1714 | 25910 | D1736-8906 | | |



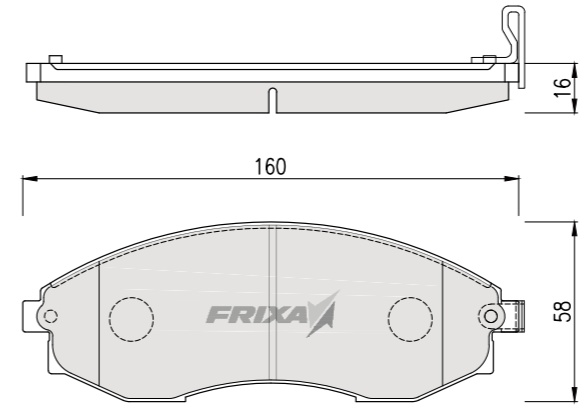
FPS11R RENAULT SAMSUNG

| | | | | | |
|----------------------|--------------------|-----|------|----|-----|
| PART NUMBER | 44060 3981R | | | | |
| REPRESENTATIVE MODEL | QM-6 | | | | |
| INTERCHANGEABLE | | | | | |
| PO | SP | WVA | FMSI | HP | TRW |
| REAR (PAD) | SP4140 | | | | |



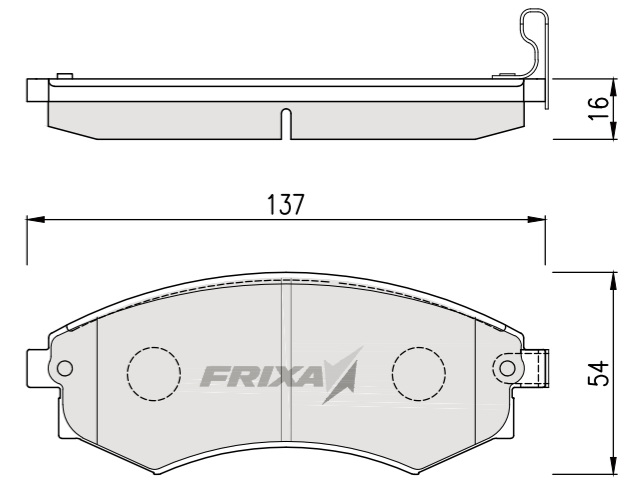
FPY01 SSANGYONG

| | | | | | |
|----------------------|--------------------|-----|------|--------|---------|
| PART NUMBER | 66142-03021 | | | | |
| REPRESENTATIVE MODEL | ISTANA | | | | |
| INTERCHANGEABLE | ISTANA(95.-03.06) | | | | |
| PO | SP | WVA | FMSI | HP | TRW |
| FRONT (PAD) | SP1083 | | | HP4003 | GDB7614 |



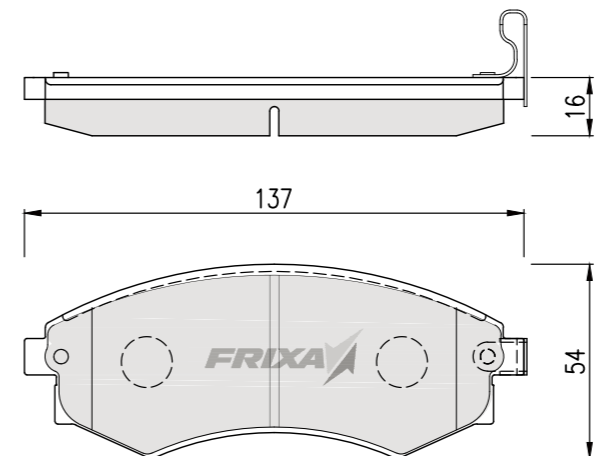
FPY02 SSANGYONG

| | | | | | |
|----------------------|---|-------|-----------|--------|---------|
| PART NUMBER | 48130-05000 | | | | |
| REPRESENTATIVE MODEL | MUSSO | | | | |
| INTERCHANGEABLE | MUSSO, MUSSO SPORTS(97.12-08.08), KORANDO FAMILY(88.10-99.10) | | | | |
| PO | SP | WVA | FMSI | HP | TRW |
| FRONT (PAD) | SP1065 | 21725 | D449-7329 | HP4001 | GDB3101 |



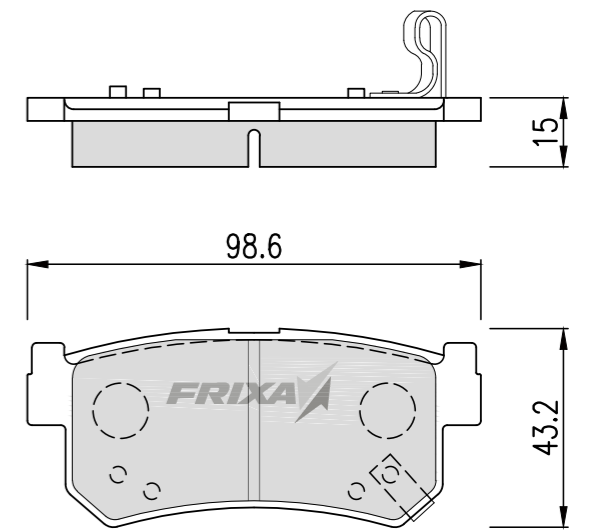
FPY03 SSANGYONG

| | | | | | |
|----------------------|--------------------|-------|------|--------|-----|
| PART NUMBER | 48130-08050 | | | | |
| REPRESENTATIVE MODEL | REXTON | | | | |
| INTERCHANGEABLE | REXTON(01.-03.12) | | | | |
| PO | SP | WVA | FMSI | HP | TRW |
| FRONT (PAD) | SP1144 | 21725 | | HP4004 | |



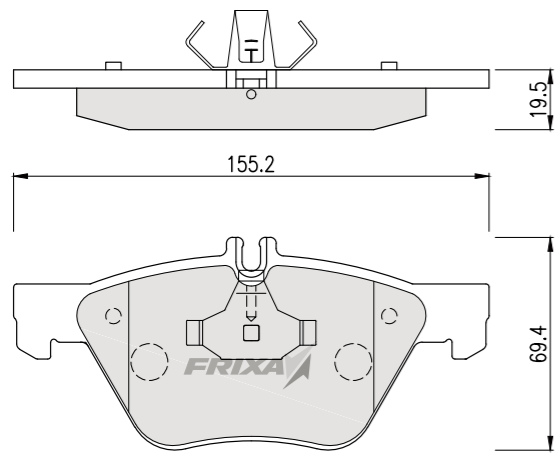
FPY03R SSANGYONG

| | | | | | |
|----------------------|---|-------|------|--------|---------|
| PART NUMBER | 48413-090A0 | | | | |
| REPRESENTATIVE MODEL | REXTON R | | | | |
| INTERCHANGEABLE | MUSSO(97.12-08.08), CHAIRMAN H(08.02-11.06) | | | | |
| PO | SP | WVA | FMSI | HP | TRW |
| REAR (PAD) | SP1151 | 23673 | | HP4002 | GDB3382 |



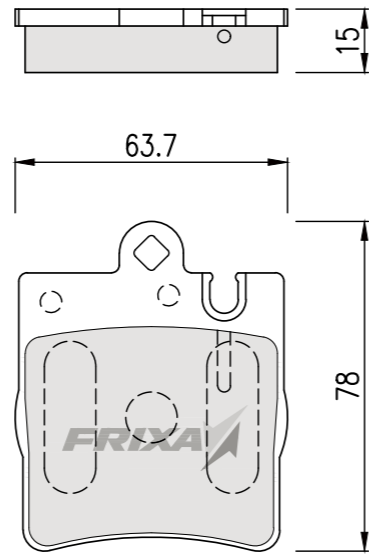
FPY04 SSANGYONG

| | | | | | |
|----------------------|-------------------------------------|-----|------|--------|-----|
| PART NUMBER | 48150-110A2 | | | | |
| REPRESENTATIVE MODEL | CHAIRMAN | | | | |
| INTERCHANGEABLE | CHAIRMAN, NEW CHAIRMAN(97.07-08.03) | | | | |
| PO | SP | WVA | FMSI | HP | TRW |
| FRONT (PAD) | SP1088 | | | HP4005 | |



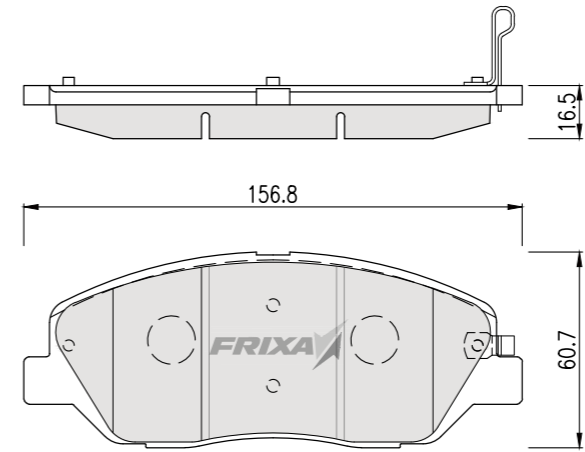
FPY04R SSANGYONG

| | | | | | |
|----------------------|-------------------------------------|-----|------|----|-----|
| PART NUMBER | 48450-110A0 | | | | |
| REPRESENTATIVE MODEL | CHAIRMAN R | | | | |
| INTERCHANGEABLE | CHAIRMAN, NEW CHAIRMAN(97.07-08.03) | | | | |
| PO | SP | WVA | FMSI | HP | TRW |
| REAR (PAD) | SP1089 | | | | |



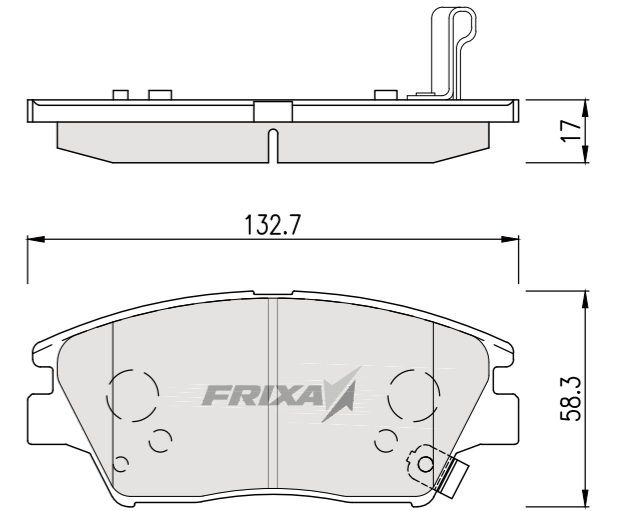
FPY07 SSANGYONG

| | | | | | |
|----------------------|--------------------|-----|------|----|-----|
| PART NUMBER | 48130 140B0 | | | | |
| REPRESENTATIVE MODEL | CHAIRMAN W | | | | |
| INTERCHANGEABLE | | | | | |
| PO | SP | WVA | FMSI | HP | TRW |
| FRONT (PAD) | HP1251 | | | | |



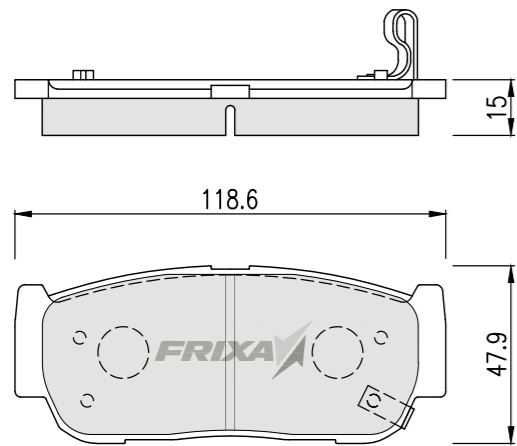
FPY08 SSANGYONG

| | | | | | |
|----------------------|--------------------|-----|------|----|-----|
| PART NUMBER | 48130-350A0 | | | | |
| REPRESENTATIVE MODEL | TIVOLI | | | | |
| INTERCHANGEABLE | | | | | |
| PO | SP | WVA | FMSI | HP | TRW |
| FRONT (PAD) | SP1761 | | | | |



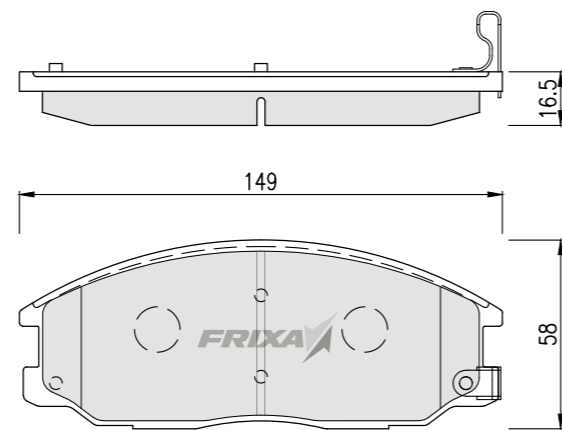
FPY05R SSANGYONG

| | | | | | |
|----------------------|--|-------|-----------|----|---------|
| PART NUMBER | 48413-091A0 | | | | |
| REPRESENTATIVE MODEL | RODIUS(STAVIC) R | | | | |
| INTERCHANGEABLE | RODIUS(STAVIC)(04.06-), KYRON IRS(05.06-11.12), ACTYON IRS(05.10-10.12) | | | | |
| PO | SP | WVA | FMSI | HP | TRW |
| REAR (PAD) | SP1173 | 23931 | D954-7853 | | GDB3413 |

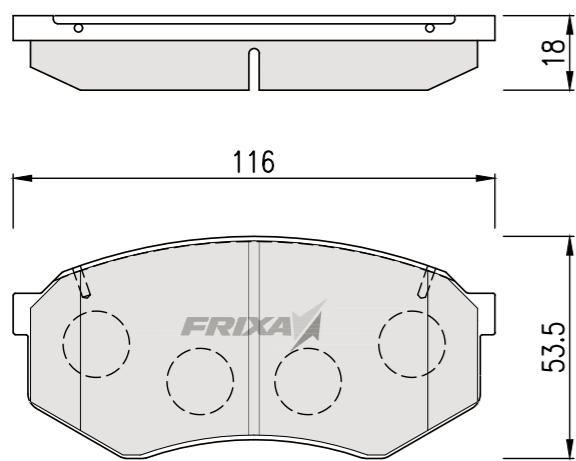


FPY06 SSANGYONG

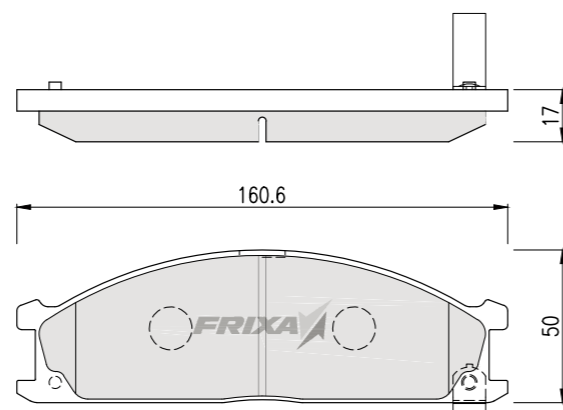
| | | | | | |
|----------------------|--|-------|-----------|--------|---------|
| PART NUMBER | 48130-08250 | | | | |
| REPRESENTATIVE MODEL | KYRON | | | | |
| INTERCHANGEABLE | KYRON(05.06-11.12), NEW REXTON(06.04-) ACTYON(05.10-10.12), KORANDO C SPORTS(12.01-) | | | | |
| PO | SP | WVA | FMSI | HP | TRW |
| FRONT (PAD) | SP1171 | 23569 | D903-7739 | HP4007 | GDB3244 |



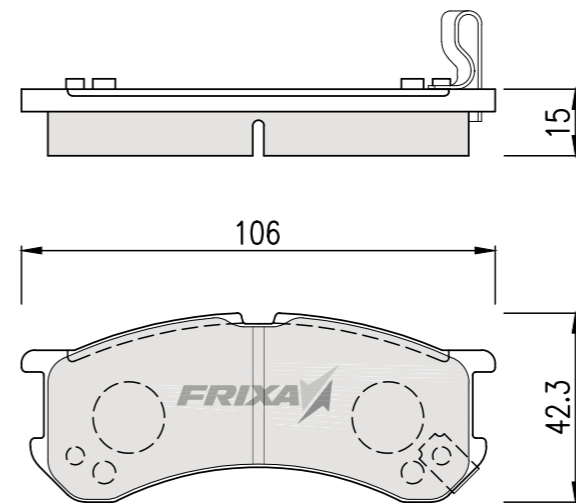
| FPE011 | | TOYOTA | | | | |
|----------------------|---|--------|-----------|--------|---------|--|
| PART NUMBER | 04465-22040 | | | | | |
| REPRESENTATIVE MODEL | CROWN | | | | | |
| INTERCHANGEABLE | GBS12,GXS1(01.08-07.06), DBA-TSS10H(08.08-) | | | | | |
| PO | SP | WVA | FMSI | HP | TRW | |
| FRONT (PAD) | SP1060-F | 21318 | 7320-D433 | HP5228 | GDB1026 | |



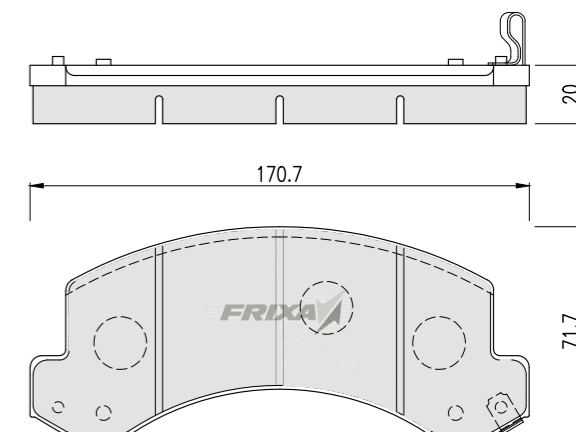
| FPE012 | | NISSAN | | | | |
|----------------------|---|--------|------------|--------|---------|--|
| PART NUMBER | 41000-10G08 | | | | | |
| REPRESENTATIVE MODEL | CREW | | | | | |
| INTERCHANGEABLE | HK30,OK30,SK30,TSK30(93.07-96.09), THK30,YHK30(94.01-96.09) | | | | | |
| PO | SP | WVA | FMSI | HP | TRW | |
| FRONT (PAD) | SP1140 | 21347 | D1144-7433 | HP5058 | GDB1017 | |



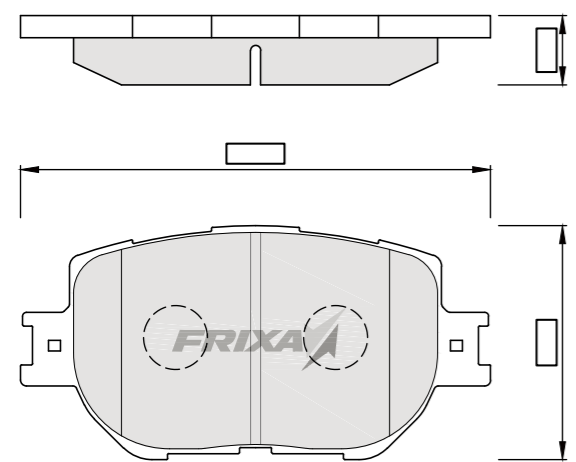
| FPE015 | | DAIHATSU | | | | |
|----------------------|--|----------|------|----|-----|--|
| PART NUMBER | 04491-87507-000 | | | | | |
| REPRESENTATIVE MODEL | HIJET | | | | | |
| INTERCHANGEABLE | S100V,S110V,S100W,S110W,S120V,S130V(94.01-98.12) S140V(97.09-98.12), S200V,S210V(98.12-) | | | | | |
| PO | SP | WVA | FMSI | HP | TRW | |
| FRONT (PAD) | | | | | | |



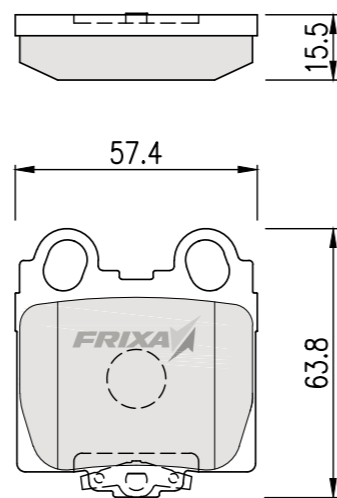
| FPE016 | | ISUZU | | | | |
|----------------------|--|-------|------|----|---------|--|
| PART NUMBER | 8-97203209 | | | | | |
| REPRESENTATIVE MODEL | ELF | | | | | |
| INTERCHANGEABLE | NKR66,NPR66,NKR71,NPR71,NPR72,NPR75(99.04-), NKR81(02.04-) | | | | | |
| PO | SP | WVA | FMSI | HP | TRW | |
| FRONT (PAD) | | | | | GDB7241 | |



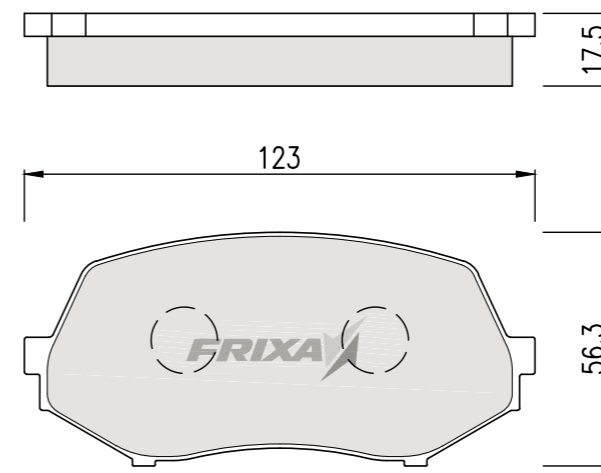
| FPE013 | | TOYOTA | | | | |
|----------------------|--|--------|------------|----|-----|--|
| PART NUMBER | 04465-30300 | | | | | |
| REPRESENTATIVE MODEL | MARK II /CHASER/ CRESTA | | | | | |
| INTERCHANGEABLE | GX110,GX110W,JZX110,JZX110W(00.10-07.06) | | | | | |
| PO | SP | WVA | FMSI | HP | TRW | |
| FRONT (PAD) | SP1566 | | D1733-8957 | | | |



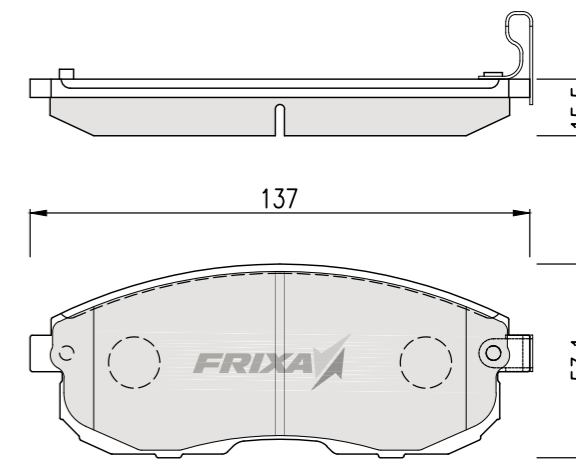
| FPE014 | | TOYOTA | | | | |
|----------------------|---|--------|-----------|--------|---------|--|
| PART NUMBER | 04466-22180 | | | | | |
| REPRESENTATIVE MODEL | CROWN | | | | | |
| INTERCHANGEABLE | GS171,GS171W,173W,JZS173,JZS171,JZS171W, JZS171,JZS171W,JZS179, | | | | | |
| PO | SP | WVA | FMSI | HP | TRW | |
| REAR (PAD) | SP1554 | 21790 | 7638-D771 | HP5083 | GDB3233 | |



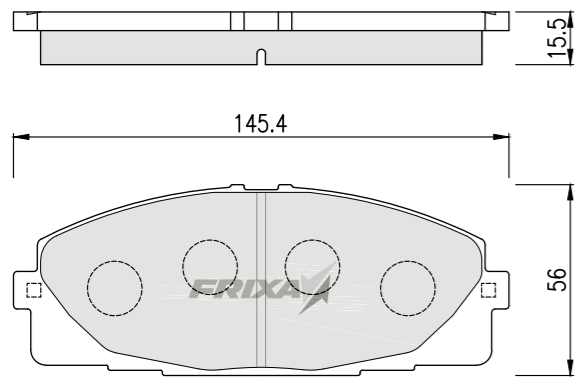
| FPE017 | | MITSUBISHI | | | | |
|----------------------|--|------------|------|----|---------|--|
| PART NUMBER | MK449107 | | | | | |
| REPRESENTATIVE MODEL | CANTER | | | | | |
| INTERCHANGEABLE | FE70B,FE72B,FE71B,FE88D(04.04-) FE70C,FE71C,FE72C,FE73C,FE82C,FE83C,FE72E | | | | | |
| PO | SP | WVA | FMSI | HP | TRW | |
| FRONT (PAD) | | | | | GDB7243 | |



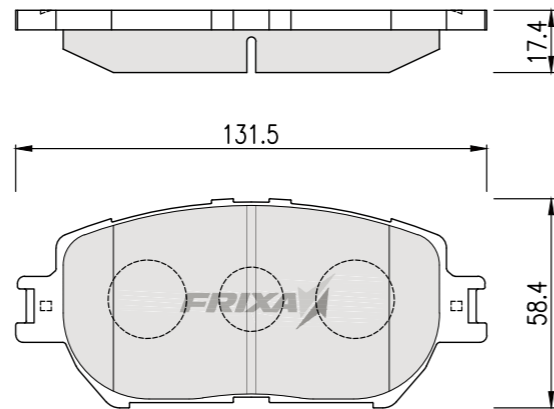
| FPE06 | | NISSAN | | | | |
|----------------------|--|--------|--------|--------|---------|--|
| PART NUMBER | 41060-0V090 | | | | | |
| REPRESENTATIVE MODEL | PRIMERA | | | | | |
| INTERCHANGEABLE | QP12(02.02-05.12), HNP11,HP11,WHNP11,WHP11(97.09-01.01) WTP12,WTP12,WTP12(01.01-07.12) | | | | | |
| PO | SP | WVA | FMSI | HP | TRW | |
| FRONT (PAD) | SP1107-FA | 24280 | DB1485 | HP8347 | GDB3390 | |



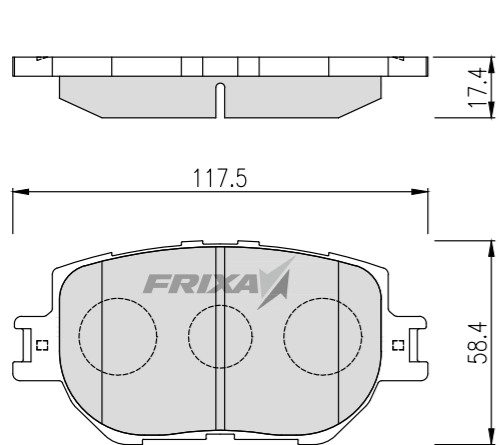
| FPE018 | | TOYOTA | | | | |
|----------------------|---------------|--------|------------|----|-----|--|
| PART NUMBER | 04465-26420 | | | | | |
| REPRESENTATIVE MODEL | HIACE REGIUS | | | | | |
| INTERCHANGEABLE | (03.08-07.08) | | | | | |
| PO | SP | WVA | FMSI | HP | TRW | |
| REAR (PAD) | SP1376 | 24680 | D1434-8552 | | | |



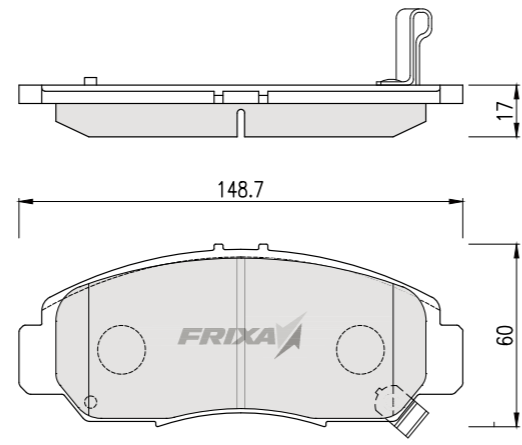
| FPE019 | | TOYOTA | | | | |
|----------------------|--|--------|-----------|--------|---------|--|
| PART NUMBER | 04465-30340 | | | | | |
| REPRESENTATIVE MODEL | CAMRY / VISTA | | | | | |
| INTERCHANGEABLE | ACA31,ACV31,MCV30(01.08-06.01) ACV35,ACV30(01.09-06.01) | | | | | |
| PO | SP | WVA | FMSI | HP | TRW | |
| FRONT (PAD) | SP2037 | 23806 | D908-7787 | HP5053 | GDB3314 | |



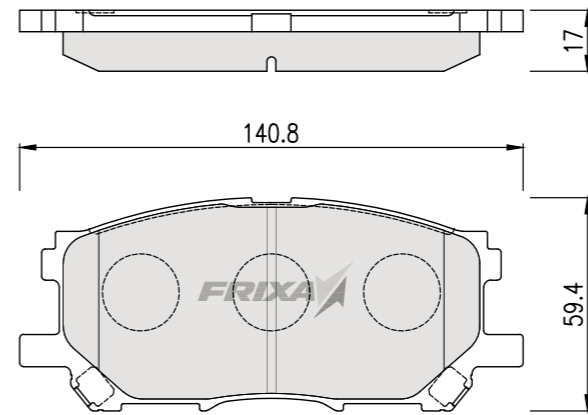
| FPE020 | | TOYOTA | | | | |
|----------------------|---|--------|-----------|--------|---------|--|
| PART NUMBER | 04465-13030 | | | | | |
| REPRESENTATIVE MODEL | CROWN | | | | | |
| INTERCHANGEABLE | GRS180,GRS182(03.12-)GS171,GS171W,JZS171,JZS171W, JZS175,JZS175W(99.09-03.12) | | | | | |
| PO | SP | WVA | FMSI | HP | TRW | |
| FRONT (PAD) | SP1272 | 23526 | D817-7691 | HP5201 | GDB3316 | |



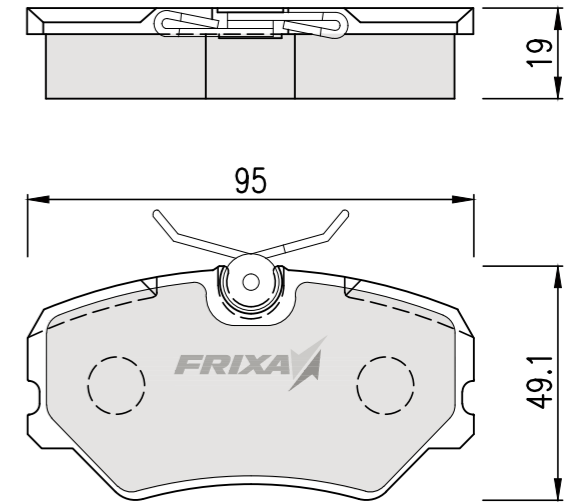
| FPE021 | | HONDA | | | | |
|----------------------|--|-------|-----------|--------|---------|--|
| PART NUMBER | 45022-S0A-J20 | | | | | |
| REPRESENTATIVE MODEL | ODYSSEY | | | | | |
| INTERCHANGEABLE | RA6,RA7(99.12-03.10), RB1,RB2(03.10-08.10) RA8,RA9(00.01-03.10) | | | | | |
| PO | SP | WVA | FMSI | HP | TRW | |
| FRONT (PAD) | SP2012 | 23722 | D959-7857 | HP5085 | GDB3240 | |



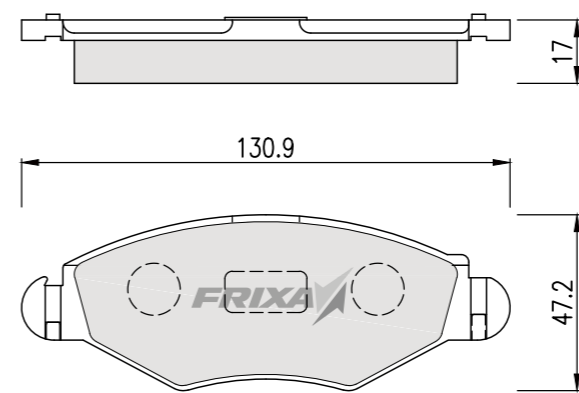
| FPE022 | | TOYOTA | | | | |
|----------------------|---|--------|------------|--------|---------|--|
| PART NUMBER | 04465-48100 | | | | | |
| REPRESENTATIVE MODEL | HARRIER | | | | | |
| INTERCHANGEABLE | ACU30W,ACU35W(03.02-06.01), MCU30W,MCU35W,MCU31W,MCU36W(03.02-06.06) | | | | | |
| PO | SP | WVA | FMSI | HP | TRW | |
| FRONT (PAD) | SP1456 | 23734 | D1005-7906 | HP5166 | GDB3338 | |



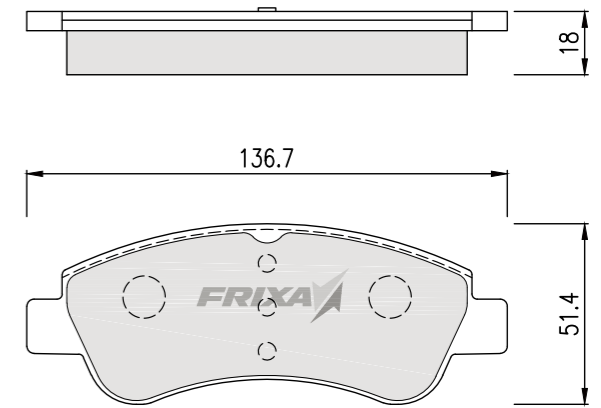
| FPE023 | | PEUGEOT | | | | |
|----------------------|--------|---------|-----------|--------|--------|--|
| PART NUMBER | 425055 | | | | | |
| REPRESENTATIVE MODEL | 405 | | | | | |
| INTERCHANGEABLE | | | | | | |
| PO | SP | WVA | FMSI | HP | TRW | |
| FRONT (PAD) | SP1180 | 21208 | D454-7334 | HP5055 | GDB793 | |



| FPE024 | | PEUGEOT | | | | |
|----------------------|---------|---------|------------|--------|---------|--|
| PART NUMBER | 4252.12 | | | | | |
| REPRESENTATIVE MODEL | 206 1.4 | | | | | |
| INTERCHANGEABLE | | | | | | |
| PO | SP | WVA | FMSI | HP | TRW | |
| FRONT (PAD) | SP1179 | 23597 | D1143-8254 | HP5047 | GDB1361 | |

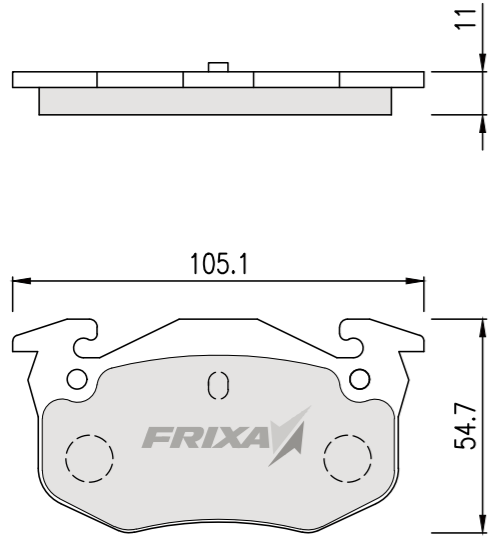


| FPE024N | | PEUGEOT | | | | |
|----------------------|---------|---------|------------|--------|-----|--|
| PART NUMBER | 4252.18 | | | | | |
| REPRESENTATIVE MODEL | 206 1.6 | | | | | |
| INTERCHANGEABLE | | | | | | |
| PO | SP | WVA | FMSI | HP | TRW | |
| FRONT (PAD) | SP1241 | 23599 | D1213-8333 | HP5272 | | |



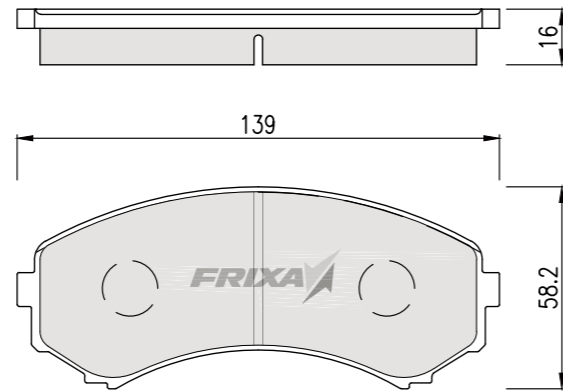
FPE024NR PEUGEOT

| | | | | | |
|----------------------|---------|-------|------------|--------|-----|
| PART NUMBER | 4250.42 | | | | |
| REPRESENTATIVE MODEL | 206 1.6 | | | | |
| INTERCHANGEABLE | | | | | |
| PO | SP | WVA | FMSI | HP | TRW |
| REAR (PAD) | SP1242 | 20973 | D1458-8658 | HP5273 | |



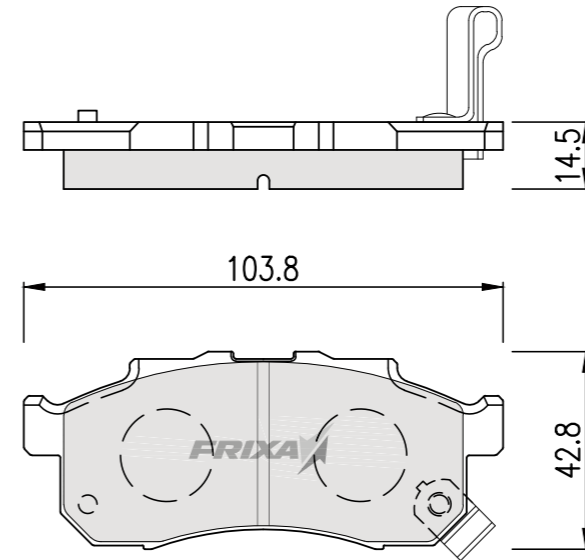
FPE025 NISSAN

| | | | | | |
|----------------------|---|-------|-----------|--------|---------|
| PART NUMBER | 41060-HA025 | | | | |
| REPRESENTATIVE MODEL | VANETTE | | | | |
| INTERCHANGEABLE | SK82LN(MN,TN,VN)(99.06-04.03), SK82LN(TN,VN),SKF2LN(MN,TN,VN)(04.03-) | | | | |
| PO | SP | WVA | FMSI | HP | TRW |
| FRONT (PAD) | SP2075 | 23288 | 7791-D867 | HP5134 | GDB3246 |



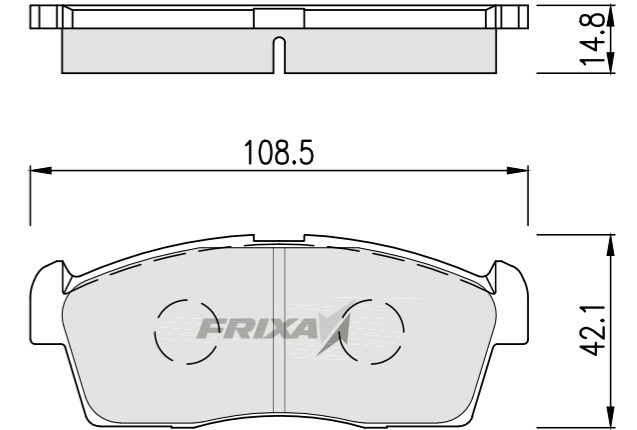
FPE028 HONDA

| | | | | | |
|----------------------|---|-----|------|----|---------|
| PART NUMBER | 45022-S2K-000 | | | | |
| REPRESENTATIVE MODEL | LIFE | | | | |
| INTERCHANGEABLE | JA4(97.05-98.10), JB1,JB2(98.10-03.09), JB5,JB6(03.09-) | | | | |
| PO | SP | WVA | FMSI | HP | TRW |
| REAR (PAD) | SP1609 | | | | GDB7090 |



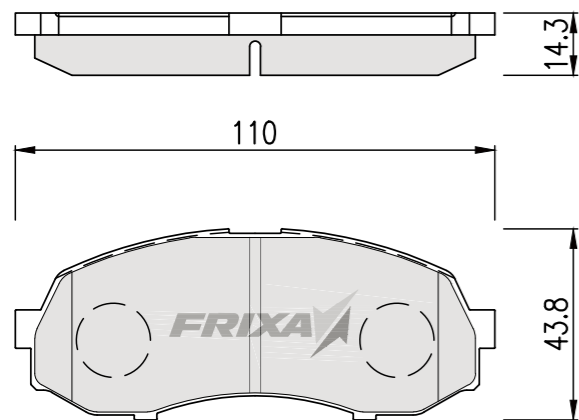
FPE029 SUZUKI

| | | | | | |
|----------------------|--|-------|------------|----|-----|
| PART NUMBER | 26296-KG000 | | | | |
| REPRESENTATIVE MODEL | ALTO | | | | |
| INTERCHANGEABLE | HA12S,HA12V(98.10-00.12), HA22S(98.10-02.04), HA23S(00.12-04.09), HA23V(00.12-05.01) | | | | |
| PO | SP | WVA | FMSI | HP | TRW |
| FRONT (PAD) | SP1592 | 24423 | D1225-8344 | | |



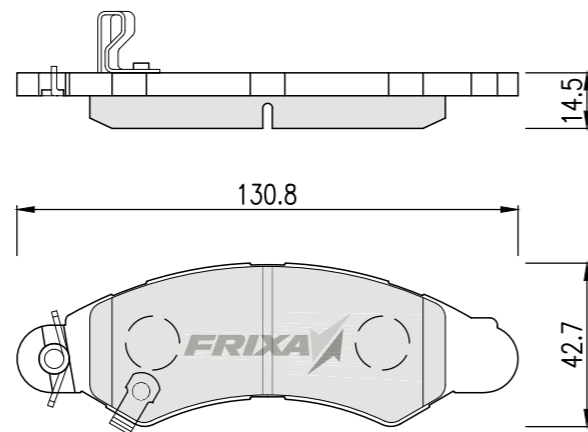
FPE026 DAIHATSU

| | | | | | |
|----------------------|--------------------------------------|-----|------|----|---------|
| PART NUMBER | 04491-87506-000 | | | | |
| REPRESENTATIVE MODEL | HIJET | | | | |
| INTERCHANGEABLE | S100C,S110C,S100P,S110P(94.01-98.12) | | | | |
| PO | SP | WVA | FMSI | HP | TRW |
| REAR (PAD) | | | | | GDB7022 |



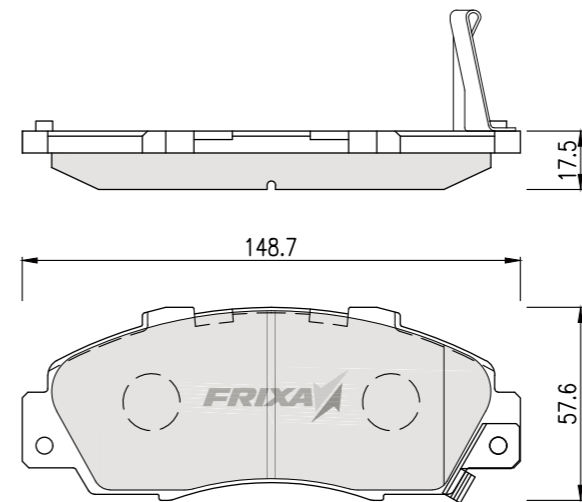
FPE027 SUBARU

| | | | | | |
|----------------------|--------------------------------------|-----|------|----|---------|
| PART NUMBER | 26296-TC001 | | | | |
| REPRESENTATIVE MODEL | SAMBAR | | | | |
| INTERCHANGEABLE | TT1,TT2,TV1,TV2,TW1,TW2(99.01-04.08) | | | | |
| PO | SP | WVA | FMSI | HP | TRW |
| FRONT (PAD) | | | | | GDB1420 |



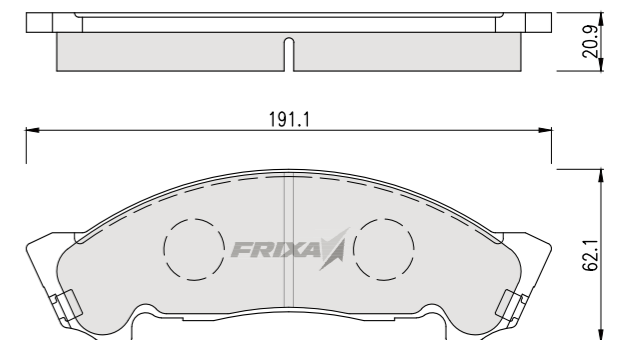
FPE030 HONDA

| | | | | | |
|----------------------|--|-------|-----------|--------|---------|
| PART NUMBER | 06450-S0A-J00 | | | | |
| REPRESENTATIVE MODEL | ACCORD | | | | |
| INTERCHANGEABLE | CE7(96.01-98.12), CC7,CE8(93.01-98.12), CF4,CF5(97.08-02.10), CL3(00.06-02.10) | | | | |
| PO | SP | WVA | FMSI | HP | TRW |
| FRONT (PAD) | SP1076-F | 21651 | D503-7382 | HP5009 | GDB1062 |

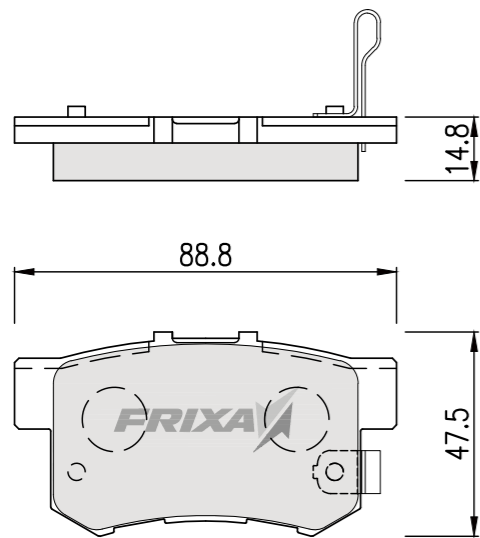


FPE031 ISUZU

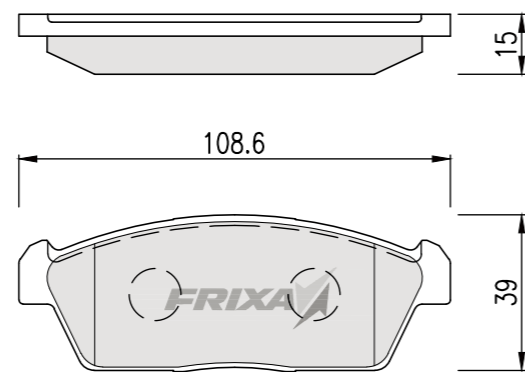
| | | | | | |
|----------------------|--|-----|------|----|-----|
| PART NUMBER | 8-97078409 | | | | |
| REPRESENTATIVE MODEL | ELF | | | | |
| INTERCHANGEABLE | NKR69,WKR69(93.07-99.04), NHR69,NHS69,NKR(99.05-02.05), NHR69M,NHR69E,NHR69MA,NHR69(02.06-04.05) | | | | |
| PO | SP | WVA | FMSI | HP | TRW |
| FRONT (PAD) | | | | | |



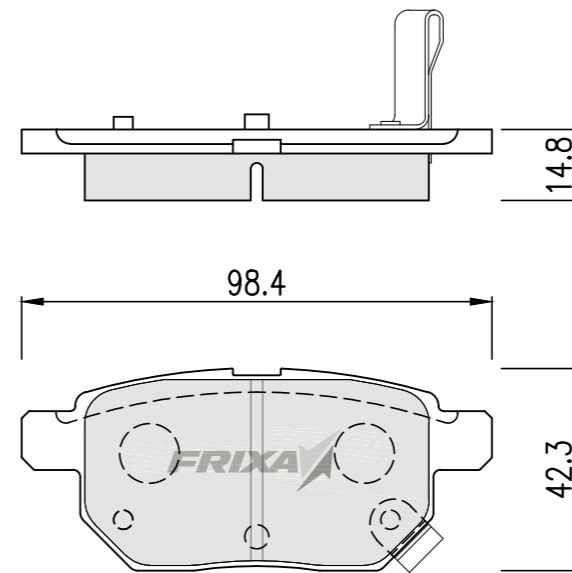
| FPE035 | | HONDA | | | |
|----------------------|--|-------|-----------|--------|---------|
| PART NUMBER | 06430-S0A-J00 | | | | |
| REPRESENTATIVE MODEL | ODYSSEY | | | | |
| INTERCHANGEABLE | RA1,RA2(94.09-97.09), RA3,RA4(97.07-99.12) RA5(97.10-00.01), RA6,RA7(99.12-03.10) | | | | |
| PO | SP | WVA | FMSI | HP | TRW |
| REAR (PAD) | SP1076R | 23652 | D536-7418 | HP5164 | GDB1063 |



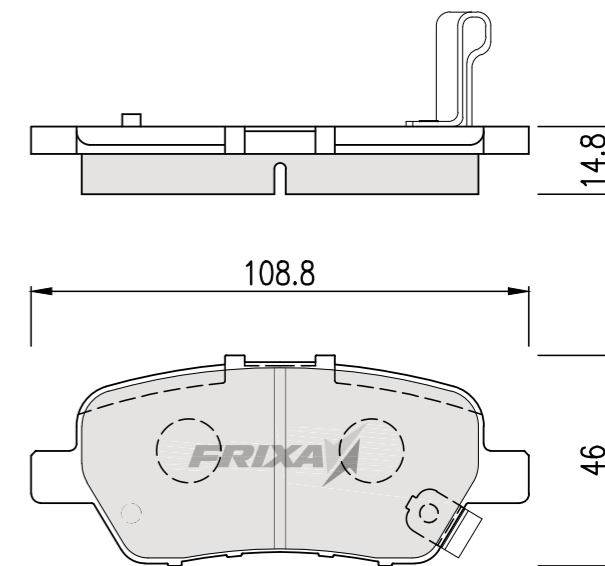
| FPE036 | | SUZUKI | | | |
|----------------------|--|--------|------|----|---------|
| PART NUMBER | 55810-60FA0 | | | | |
| REPRESENTATIVE MODEL | WAGON R | | | | |
| INTERCHANGEABLE | CT21S,CV21S(95.10-98.10), CT51S,CV51S(97.04-98.10) | | | | |
| PO | SP | WVA | FMSI | HP | TRW |
| FRONT (PAD) | | | | | GDB7125 |



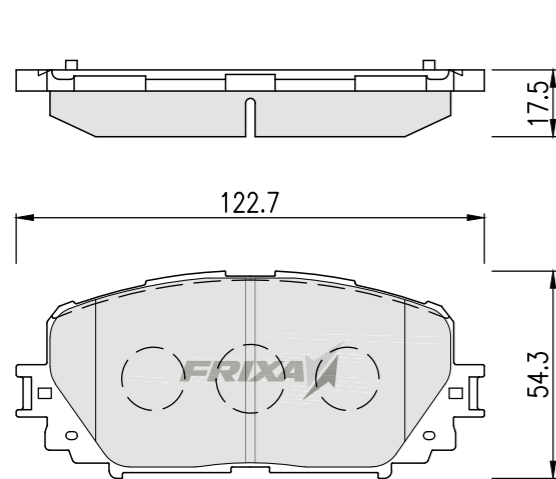
| FPE039 | | TOYOTA | | | |
|----------------------|---------------|--------|------------|--------|---------|
| PART NUMBER | 04466-12130 | | | | |
| REPRESENTATIVE MODEL | VITZ | | | | |
| INTERCHANGEABLE | NCP91(05.02-) | | | | |
| PO | SP | WVA | FMSI | HP | TRW |
| REAR (PAD) | SP2094 | 24610 | D1354-8463 | HP5181 | GDB3454 |



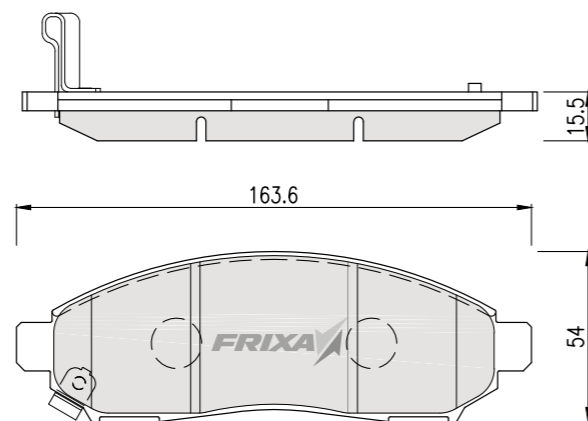
| FPE040 | | HONDA | | | |
|----------------------|-------------------------|-------|------|----|-----|
| PART NUMBER | 06430-SFE-J00 | | | | |
| REPRESENTATIVE MODEL | STEP WAGON | | | | |
| INTERCHANGEABLE | RG1,RG2,RG3,RG4(05.05-) | | | | |
| PO | SP | WVA | FMSI | HP | TRW |
| REAR (PAD) | SP2104 | | | | |



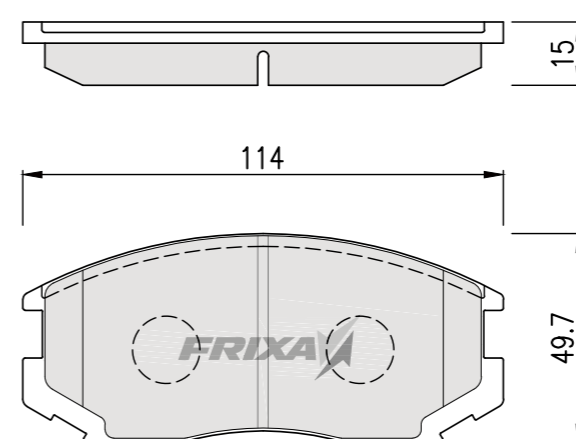
| FPE037 | | TOYOTA | | | |
|----------------------|---------------|--------|------------|----|---------|
| PART NUMBER | 04465-52190 | | | | |
| REPRESENTATIVE MODEL | VITZ | | | | |
| INTERCHANGEABLE | NCP91(05.02-) | | | | |
| PO | SP | WVA | FMSI | HP | TRW |
| FRONT (PAD) | SP1588 | 24708 | D1628-8845 | | GDB3460 |



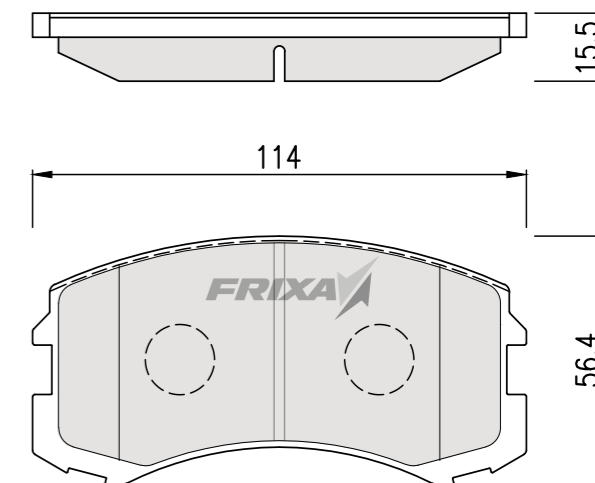
| FPE038 | | NISSAN | | | |
|----------------------|--|--------|------------|--------|---------|
| PART NUMBER | 41060-EA025 | | | | |
| REPRESENTATIVE MODEL | SERENA | | | | |
| INTERCHANGEABLE | C25,NC23(05.05-06.06), CC25,CNC25(06.06-) C25(05.05-) | | | | |
| PO | SP | WVA | FMSI | HP | TRW |
| FRONT (PAD) | SP1460 | 24227 | 8200-D1094 | HP5173 | GDB3404 |



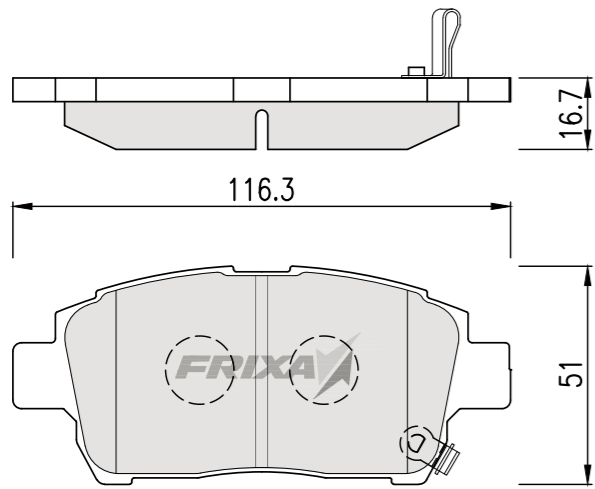
| FPE041 | | MITSUBISHI | | | |
|----------------------|---|------------|-----------|--------|---------|
| PART NUMBER | 04491-87401 | | | | |
| REPRESENTATIVE MODEL | LANCER | | | | |
| INTERCHANGEABLE | C61A,C62V,C74A,C64A(98.09-91.10) C11V,C12V,C12W,C72A,C32V,C14V,C14W,C34V,C34 | | | | |
| PO | SP | WVA | FMSI | HP | TRW |
| FRONT (PAD) | SP1142 | 21650 | D535-7417 | HP5013 | GDB1129 |



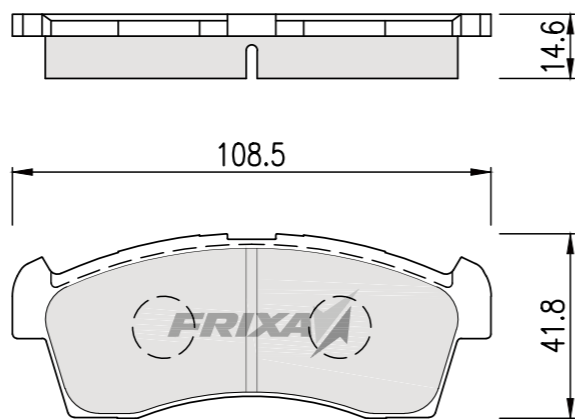
| FPE042 | | MITSUBISHI | | | |
|----------------------|----------|------------|-----------|--------|--------|
| PART NUMBER | MN102878 | | | | |
| REPRESENTATIVE MODEL | LANCER | | | | |
| INTERCHANGEABLE | | | | | |
| PO | SP | WVA | FMSI | HP | TRW |
| FRONT (PAD) | SP1255 | 24291 | D904-7782 | HP5183 | DB1455 |



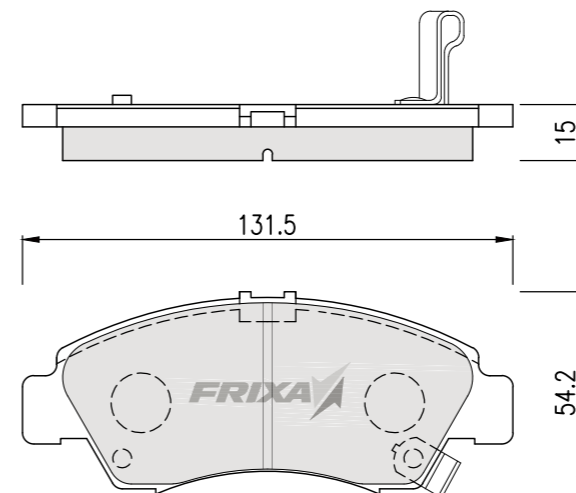
| FPE043 | | TOYOTA | | | | |
|----------------------|---|--------|-----------|--------|---------|--|
| PART NUMBER | 04465-0D020 | | | | | |
| REPRESENTATIVE MODEL | COROLLA | | | | | |
| INTERCHANGEABLE | NZE120,NZE121,NZE121G,NZE124,NZE124G,ZZE122(G),124(G),ZZE122(00.08-06.01) | | | | | |
| PO | SP | WVA | FMSI | HP | TRW | |
| FRONT (PAD) | SP1232 | 23510 | D822-7695 | HP5019 | GDB3242 | |



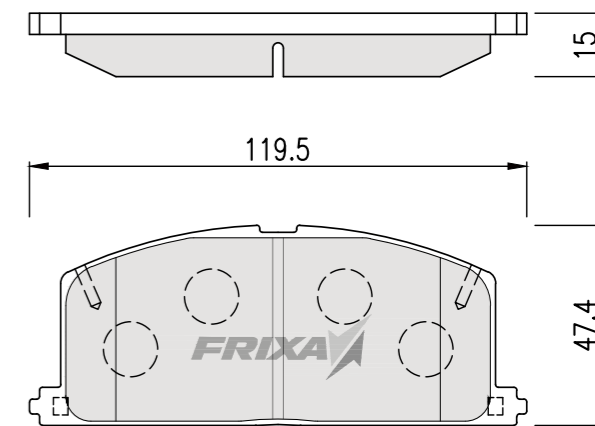
| FPE047 | | SUZUKI | | | | |
|----------------------|---------------|--------|------|----|-----|--|
| PART NUMBER | 55810-68H00 | | | | | |
| REPRESENTATIVE MODEL | CERVO | | | | | |
| INTERCHANGEABLE | HG21S(06.11-) | | | | | |
| PO | SP | WVA | FMSI | HP | TRW | |
| FRONT (PAD) | SP1548 | | | | | |



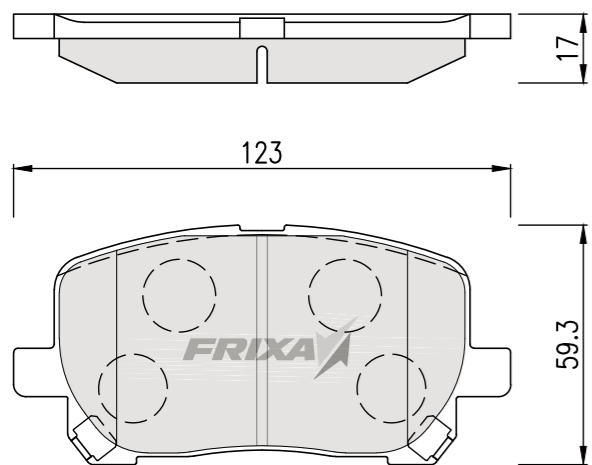
| FPE057 | | HONDA | | | | |
|----------------------|--|-------|------------|--------|---------|--|
| PART NUMBER | 45022-S04-000 | | | | | |
| REPRESENTATIVE MODEL | CIVIC | | | | | |
| INTERCHANGEABLE | CAPA HATCHBACK, CIVIC COUPE, CIVIC PRO, CR-X DOMANI, FIT ARIA, INTEGRA, LOGO, ORTHIA, CITY SEDAN | | | | | |
| PO | SP | WVA | FMSI | HP | TRW | |
| FRONT (PAD) | SP2032 | 21697 | D1643-8870 | HP5040 | GDB1164 | |



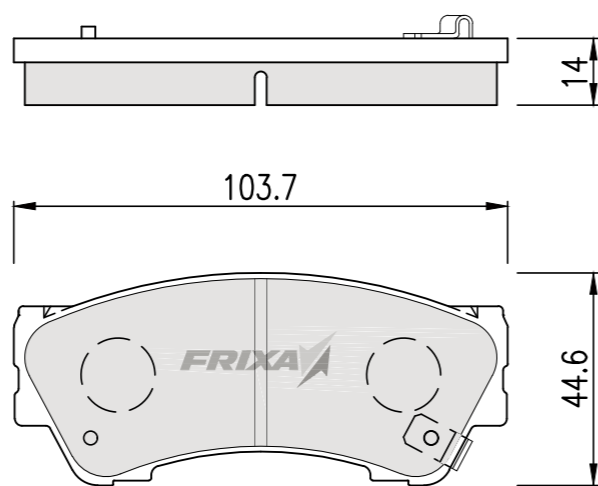
| FPE058 | | TOYOTA | | | | |
|----------------------|-------------|--------|-----------|--------|---------|--|
| PART NUMBER | 04465-12010 | | | | | |
| REPRESENTATIVE MODEL | COROLLA | | | | | |
| INTERCHANGEABLE | CAMRY | | | | | |
| PO | SP | WVA | FMSI | HP | TRW | |
| FRONT (PAD) | SP1105 | 20870 | 7152-D241 | HP5020 | GDB3184 | |



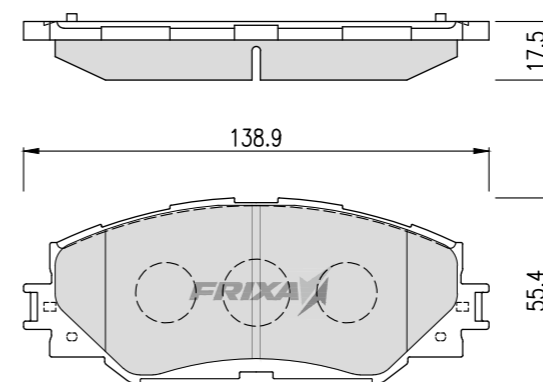
| FPE048 | | TOYOTA | | | | |
|----------------------|---|--------|-----------|--------|---------|--|
| PART NUMBER | 04465-02070 | | | | | |
| REPRESENTATIVE MODEL | COROLLA | | | | | |
| INTERCHANGEABLE | CBA-ZZE122(04.02-06.01), ZZE120(02.06-) | | | | | |
| PO | SP | WVA | FMSI | HP | TRW | |
| FRONT (PAD) | SP1373 | 23836 | D923-7824 | HP5097 | GDB3315 | |



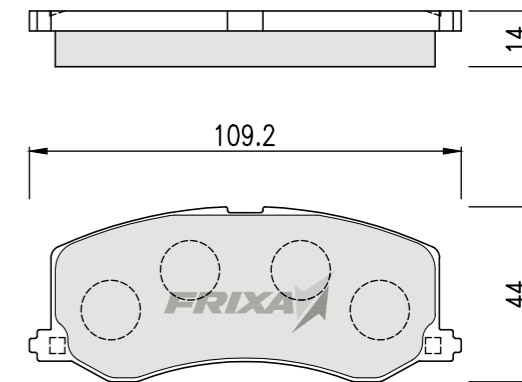
| FPE053 | | HONDA | | | | |
|----------------------|---------------|-------|------|----|-----|--|
| PART NUMBER | 45022-SFC-000 | | | | | |
| REPRESENTATIVE MODEL | LIFE | | | | | |
| INTERCHANGEABLE | | | | | | |
| PO | SP | WVA | FMSI | HP | TRW | |
| FRONT (PAD) | | | | | | |



| FPE060 | | TOYOTA | | | | |
|----------------------|--|--------|------------|--------|---------|--|
| PART NUMBER | 04465-02220 | | | | | |
| REPRESENTATIVE MODEL | COROLLA 2009 | | | | | |
| INTERCHANGEABLE | NZE141(06.01-08.01), NZE141G(06.01-), ZRE142(G),144(G)(06.01-) | | | | | |
| PO | SP | WVA | FMSI | HP | TRW | |
| FRONT (PAD) | SP2093 | 24336 | D1210-8330 | HP5176 | GDB3425 | |

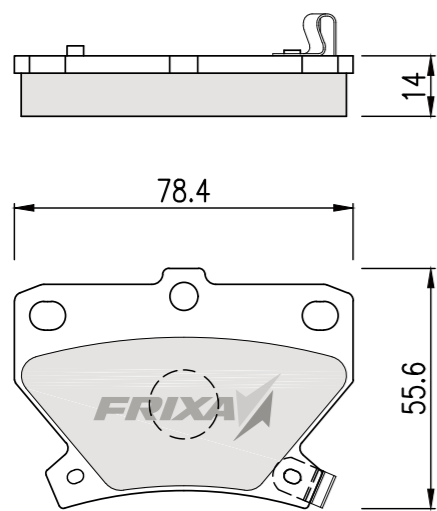


| FPE062 | | SUZUKI | | | | |
|----------------------|---|--------|------|----|---------|--|
| PART NUMBER | 55200-61832 | | | | | |
| REPRESENTATIVE MODEL | CULTUS | | | | | |
| INTERCHANGEABLE | AA44S,AB44S(88.09-98.06) AB34S,AF34S,AA34S,AB34S(88.09-00.05) | | | | | |
| PO | SP | WVA | FMSI | HP | TRW | |
| FRONT (PAD) | | 21730 | | | GDB3237 | |



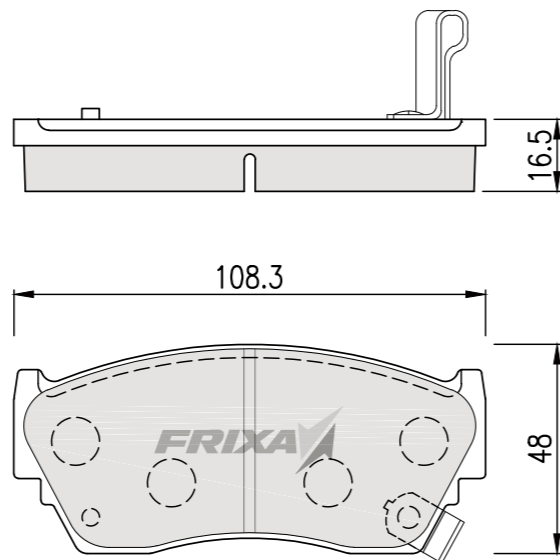
FPE064 **TOYOTA**

| | | | | | |
|----------------------|---|-------|-----------|--------|---------|
| PART NUMBER | 04466-20090 | | | | |
| REPRESENTATIVE MODEL | COROLLA REAR | | | | |
| INTERCHANGEABLE | ZZE120(02.01-06.10), ZZE121,CDE120(01.11-) ZZE122,123(G)(00.08-06.01), ZRE142, 144(06.10-) | | | | |
| PO | SP | WVA | FMSI | HP | TRW |
| REAR (PAD) | SP2044 | 23521 | D823-7696 | HP5153 | GDB3243 |



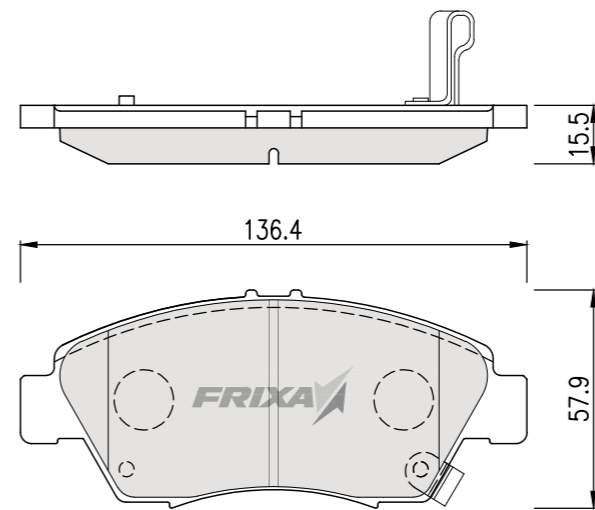
FPE079 **NISSAN**

| | | | | | |
|----------------------|--------------------------------------|-------|-----------|--------|---------|
| PART NUMBER | 41060-50Y90 | | | | |
| REPRESENTATIVE MODEL | SUNNY(1992-1995) | | | | |
| INTERCHANGEABLE | 100NX, AD VAN, MARCH, PRESEA, PULSAR | | | | |
| PO | SP | WVA | FMSI | HP | TRW |
| FRONT (PAD) | SP1489 | 21657 | D510-7389 | HP5067 | GDB1012 |



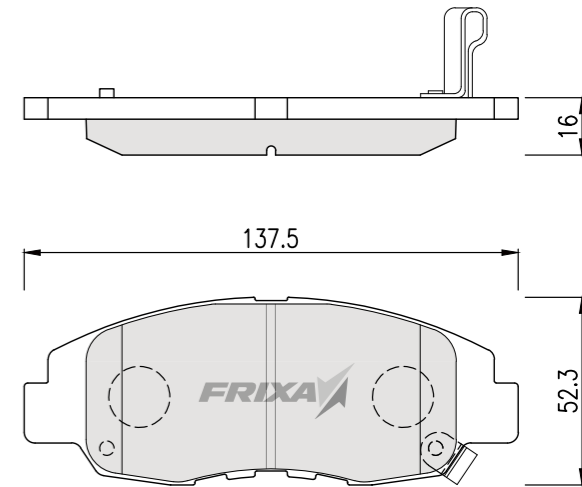
FPE083 **HONDA**

| | | | | | |
|----------------------|---|-------|-----------|--------|---------|
| PART NUMBER | 06450-S5A-J00 | | | | |
| REPRESENTATIVE MODEL | CIVIC(2001-2006) | | | | |
| INTERCHANGEABLE | DOMANI, EDIX, FREED, INTEGRA, MOBILIO, STREAM | | | | |
| PO | SP | WVA | FMSI | HP | TRW |
| FRONT (PAD) | SP1221 | 21694 | D621-7497 | HP5039 | GDB1183 |



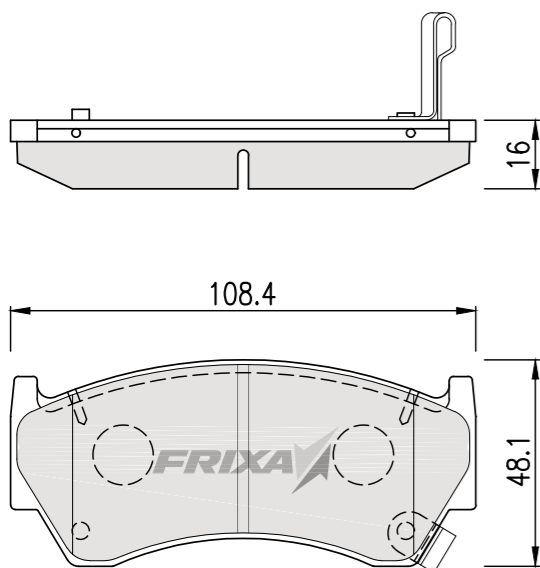
FPE084 **HONDA**

| | | | | | |
|----------------------|----------------------|-------|-----------|--------|--------|
| PART NUMBER | 06450-S9A-010 | | | | |
| REPRESENTATIVE MODEL | CIVIC(2007-) | | | | |
| INTERCHANGEABLE | ACCORD IV | | | | |
| PO | SP | WVA | FMSI | HP | TRW |
| FRONT (PAD) | SP1109 | 21497 | D465-7345 | HP5041 | GDB894 |



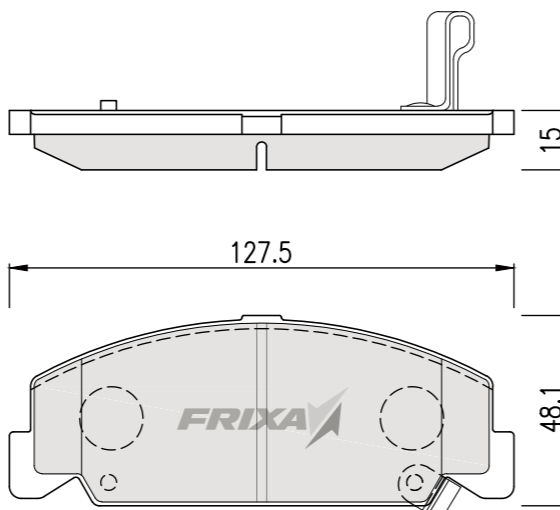
FPE080 **NISSAN**

| | | | | | |
|----------------------|---|-------|-----------|--------|---------|
| PART NUMBER | 41060-0M890 | | | | |
| REPRESENTATIVE MODEL | SUNNY(1996-2000) | | | | |
| INTERCHANGEABLE | ALMERA, CUBE, HYPER MINI, PRESEA, PULSAR, RASHEEN, WINGROAD | | | | |
| PO | SP | WVA | FMSI | HP | TRW |
| FRONT (PAD) | SP1122 | 23796 | D668-7546 | HP5014 | GDB3156 |



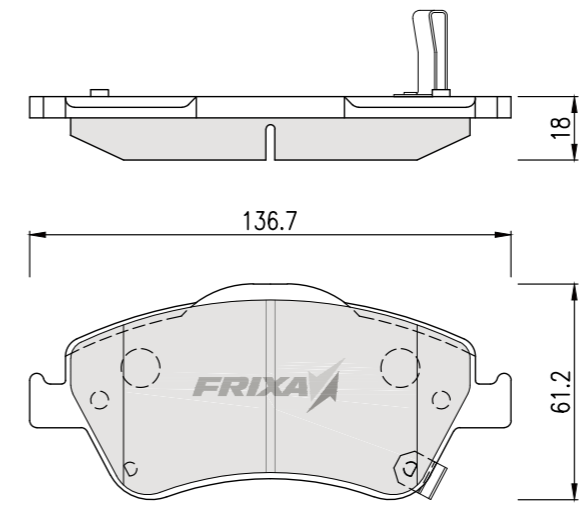
FPE082 **HONDA**

| | | | | | |
|----------------------|----------------------|-------|-----------|--------|--------|
| PART NUMBER | 45022-SA3-G10 | | | | |
| REPRESENTATIVE MODEL | CIVIC(1995-2000) | | | | |
| INTERCHANGEABLE | | | | | |
| PO | SP | WVA | FMSI | HP | TRW |
| FRONT (PAD) | SP1427 | 21330 | D474-7355 | HP5056 | GDB764 |



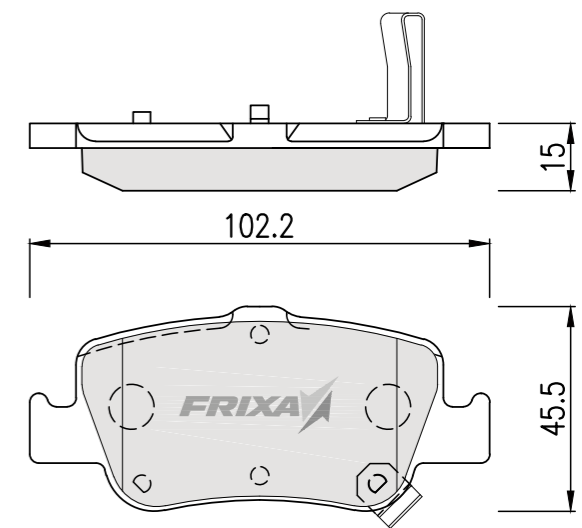
FPE087 **TOYOTA**

| | | | | | |
|----------------------|--------------------|-------|------------|--------|---------|
| PART NUMBER | 04465-02160 | | | | |
| REPRESENTATIVE MODEL | COROLLA 09MY(Fr) | | | | |
| INTERCHANGEABLE | (07.01-) | | | | |
| PO | SP | WVA | FMSI | HP | TRW |
| FRONT (PAD) | SP1500 | 24121 | D1571-8780 | HP5182 | GDB3481 |

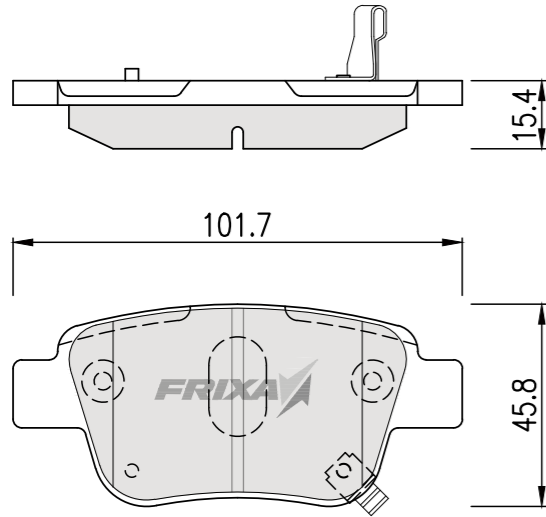


FPE088 **TOYOTA**

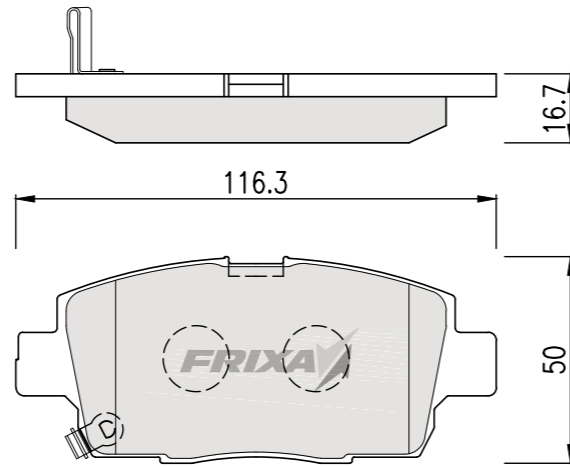
| | | | | | |
|----------------------|--------------------|-------|------------|----|-----|
| PART NUMBER | 04466-02170 | | | | |
| REPRESENTATIVE MODEL | COROLLA 09MY(Fr) | | | | |
| INTERCHANGEABLE | (07.01-) | | | | |
| PO | SP | WVA | FMSI | HP | TRW |
| REAR (PAD) | SP1501 | 24664 | D1501-8781 | | |



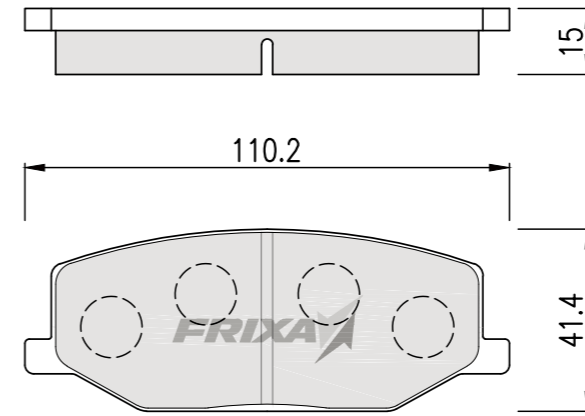
| FPE089 | | TOYOTA | | | |
|----------------------|---|--------|------|----|---------|
| PART NUMBER | 04466-05010 | | | | |
| REPRESENTATIVE MODEL | AVENSIS | | | | |
| INTERCHANGEABLE | ZZT250,ZZT251(03.03-08.01) CDT250,AZT250,AZT255,AZT250W, | | | | |
| PO | SP | WVA | FMSI | HP | TRW |
| REAR (PAD) | SP2184 | 23620 | | | GDB3337 |



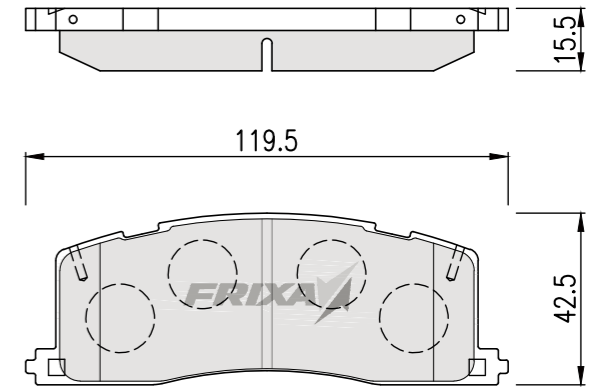
| FPE090 | | TOYOTA | | | |
|----------------------|--|--------|------------|----|-----|
| PART NUMBER | 04465-52230 | | | | |
| REPRESENTATIVE MODEL | COROLLA | | | | |
| INTERCHANGEABLE | NZE120,NZE121,NZE121G,NZE124,NZE124G,ZZE122(G),124(G), ZZE122(00.08-06.01), ZZE120(01.11-02.07) | | | | |
| PO | SP | WVA | FMSI | HP | TRW |
| FRONT (PAD) | SP1555 (C TYPE) | | D1249-8367 | | |



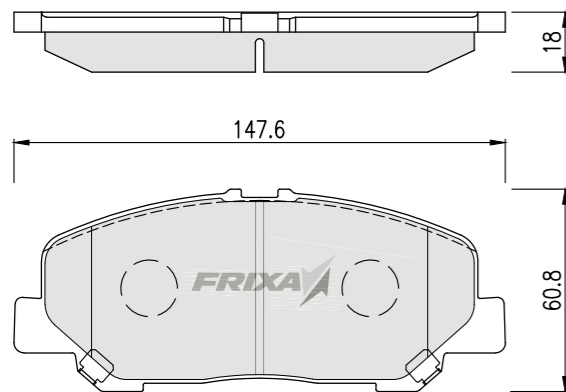
| FPE096 | | SUZUKI | | | |
|----------------------|---|--------|-----------|--------|---------|
| PART NUMBER | 55110-80000 | | | | |
| REPRESENTATIVE MODEL | JIMNY | | | | |
| INTERCHANGEABLE | SJ30(84.07-87.12), JA71C,JA71V(86.01-90.03) JA11C,JA11V(90.03-95.10) | | | | |
| PO | SP | WVA | FMSI | HP | TRW |
| FRONT (PAD) | SP1540 | 21142 | 7540-D660 | HP8448 | GDB3210 |



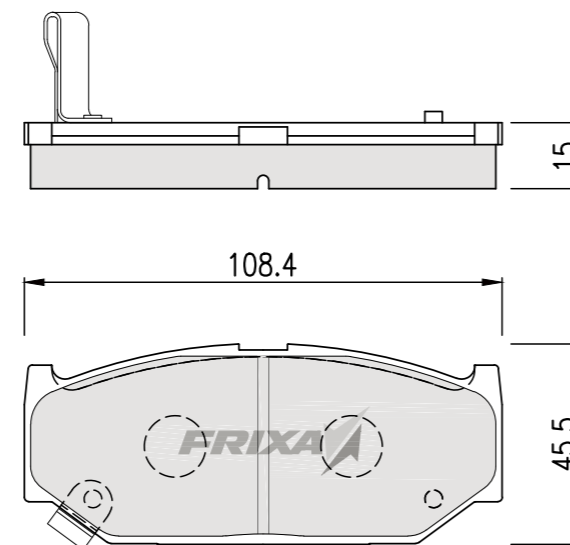
| FPE097 | | TOYOTA | | | |
|----------------------|---|--------|-----------|--------|---------|
| PART NUMBER | 04466-28010 | | | | |
| REPRESENTATIVE MODEL | ESTIMA | | | | |
| INTERCHANGEABLE | CXR10G,11G,20G,21G,TCR20G(W),21W(93.08-95.01) CXR11G,CXR21G(94.05-96.08) | | | | |
| PO | SP | WVA | FMSI | HP | TRW |
| REAR (PAD) | SP2036 | 21688 | D501-7381 | HP5124 | GDB1138 |



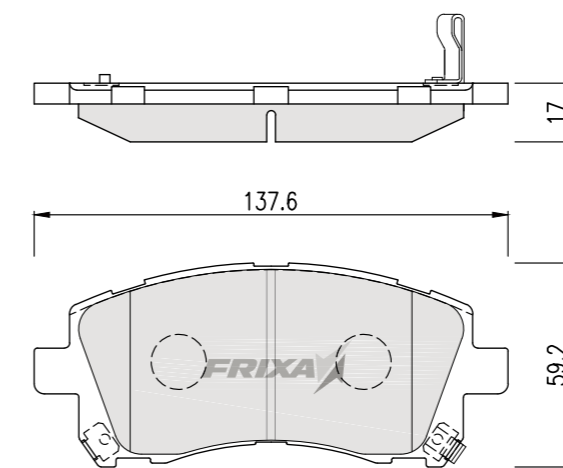
| FPE091 | | TOYOTA | | | |
|----------------------|-------------------------------|--------|------------|----|-----|
| PART NUMBER | 04465-28520 | | | | |
| REPRESENTATIVE MODEL | ALPHARD | | | | |
| INTERCHANGEABLE | ANH20W,25W,GGH20W,25W(08.05-) | | | | |
| PO | SP | WVA | FMSI | HP | TRW |
| FRONT (PAD) | SP2183 | 24601 | D1524-8732 | | |



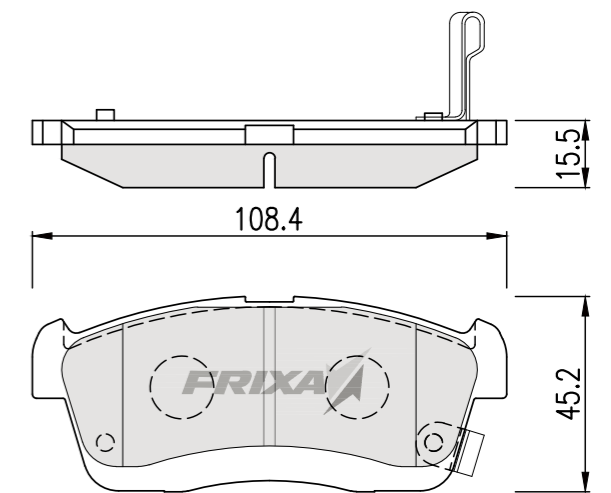
| FPE092 | | SUZUKI | | | |
|----------------------|---|--------|------------|----|-----|
| PART NUMBER | 55810-57K00 | | | | |
| REPRESENTATIVE MODEL | SWIFT | | | | |
| INTERCHANGEABLE | ZC71S(07.05-), ZC11S,ZC21S,ZD11S,ZD21S(04.11-) ZC31S(05.09-) | | | | |
| PO | SP | WVA | FMSI | HP | TRW |
| FRONT (PAD) | SP2086 | 23962 | D1614-8827 | | |



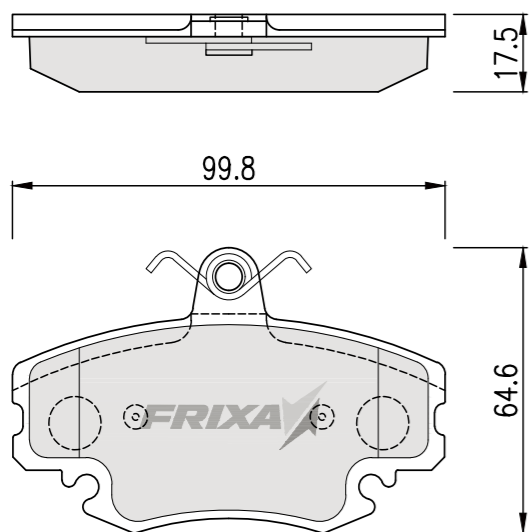
| FPE098 | | SUBARU | | | |
|----------------------|--|--------|-----------|--------|---------|
| PART NUMBER | 25296-FA041 | | | | |
| REPRESENTATIVE MODEL | IMPREZA | | | | |
| INTERCHANGEABLE | GF8,GC8(96.09-00.07), G11GD, GC(01.03-02.10) | | | | |
| PO | SP | WVA | FMSI | HP | TRW |
| FRONT (PAD) | SP1225 | 21915 | 7589-D721 | HP5044 | GDB3217 |



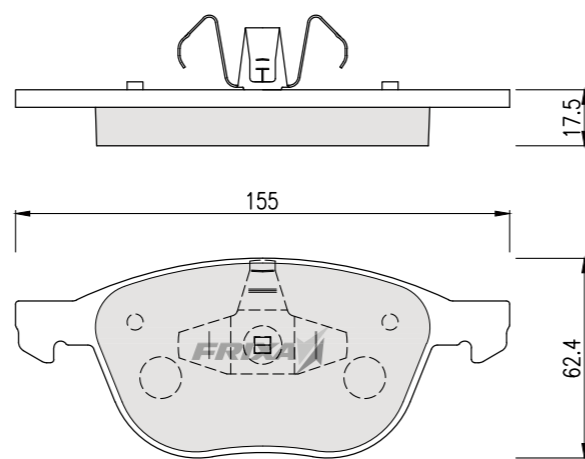
| FPE099 | | DAIHATSU | | | |
|----------------------|---|----------|------|----|-----|
| PART NUMBER | 04465-B1010 | | | | |
| REPRESENTATIVE MODEL | MIRA | | | | |
| INTERCHANGEABLE | L275S,L285S(06.12-), L250S,L260S(02.12-07.10) | | | | |
| PO | SP | WVA | FMSI | HP | TRW |
| FRONT (PAD) | SP1550 | | | | |



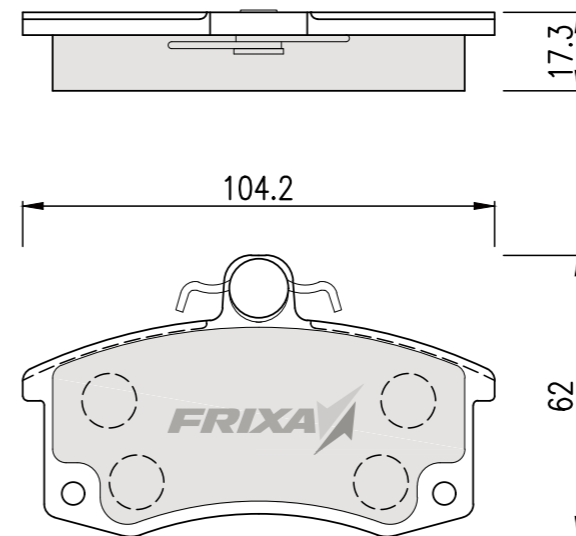
| FPE100 | | RENAULT | | | | |
|----------------------|-------------------|---------|------------|--------|---------|--|
| PART NUMBER | 410602192R | | | | | |
| REPRESENTATIVE MODEL | LOGAN | | | | | |
| INTERCHANGEABLE | CLIO, MEGANE | | | | | |
| PO | SP | WVA | FMSI | HP | TRW | |
| FRONT (PAD) | SP1243 | 21404 | D1146-8256 | HP5197 | GDB1332 | |



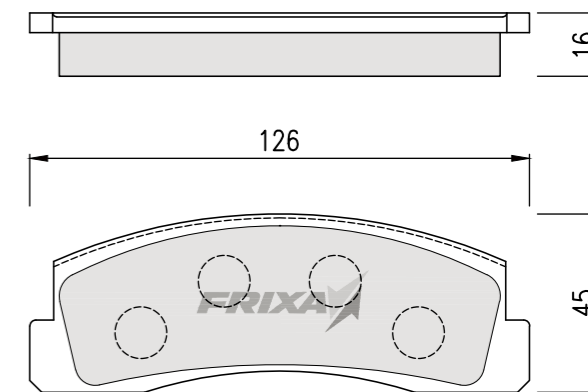
| FPE101 | | FORD | | | | |
|----------------------|------------------|-------|------------|--------|---------|--|
| PART NUMBER | 1 223 682 | | | | | |
| REPRESENTATIVE MODEL | FOCUS II | | | | | |
| INTERCHANGEABLE | | | | | | |
| PO | SP | WVA | FMSI | HP | TRW | |
| FRONT (PAD) | SP1260 | 23723 | 7947-D1230 | HP5143 | GDB1583 | |



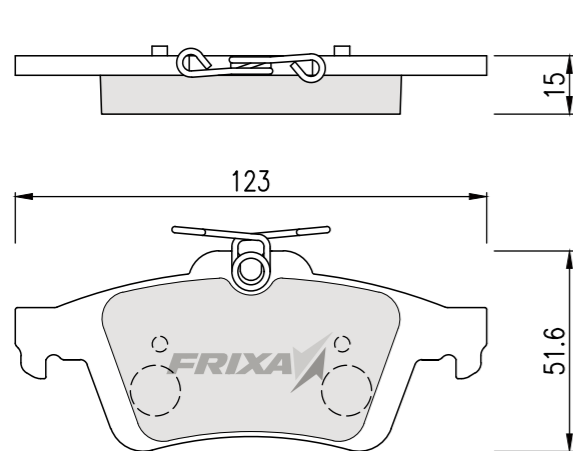
| FPE104 | | LADA | | | | |
|----------------------|--|-------|------|----|---------|--|
| PART NUMBER | 2108-3501080 | | | | | |
| REPRESENTATIVE MODEL | VAZ 2110 | | | | | |
| INTERCHANGEABLE | 110 (VAZ 2110)(96.-00.)111 (VAZ 2111)(96.-) NOVA - KALINA (VAZ 2105/2107)(94.-00.) | | | | | |
| PO | SP | WVA | FMSI | HP | TRW | |
| FRONT (PAD) | SP1181 | 23670 | | | GDB1446 | |



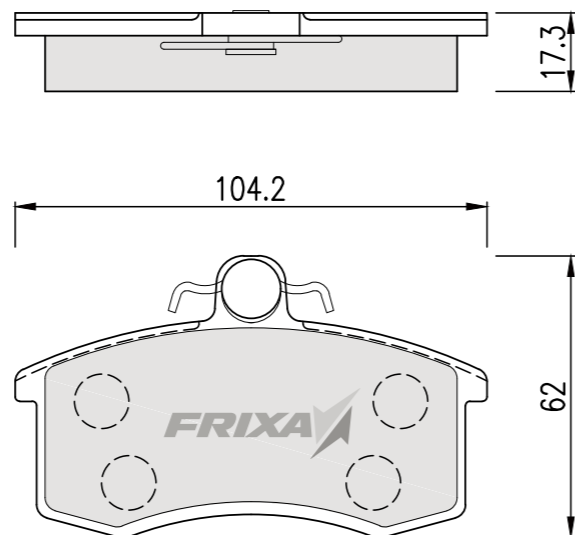
| FPE105 | | LADA | | | | |
|----------------------|---|-------|------|----|--------|--|
| PART NUMBER | 2121-3501090 | | | | | |
| REPRESENTATIVE MODEL | NIVA 2121 | | | | | |
| INTERCHANGEABLE | COSSACK(78.-96.) NIVA (VAZ 2121)1.6/1.7(76.-00.) NIVA (VAZ 2121)1.9D/1.9D JR,LX(88.-93.) TAIGA(77.-00.) | | | | | |
| PO | SP | WVA | FMSI | HP | TRW | |
| FRONT (PAD) | SP1168 | 20660 | | | GDB265 | |



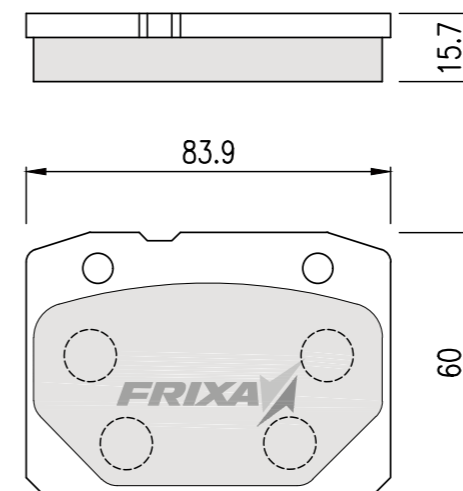
| FPE102 | | FORD | | | | |
|----------------------|------------------|-------|------------|--------|---------|--|
| PART NUMBER | 1 360 306 | | | | | |
| REPRESENTATIVE MODEL | FOCUS II | | | | | |
| INTERCHANGEABLE | | | | | | |
| PO | SP | WVA | FMSI | HP | TRW | |
| REAR (PAD) | SP2091 | 23482 | 7957-D1095 | HP5142 | GDB1621 | |



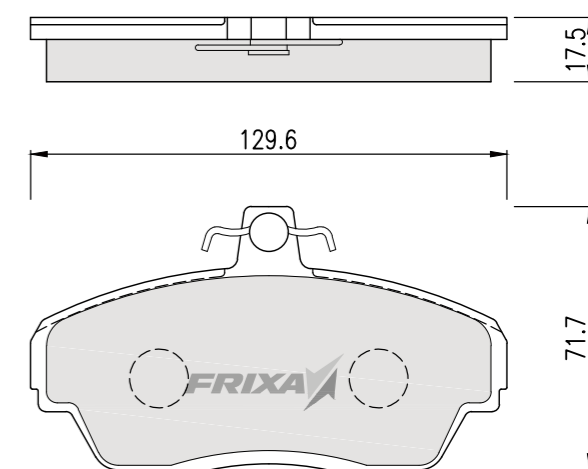
| FPE103 | | LADA | | | | |
|----------------------|--|-------|------|----|--------|--|
| PART NUMBER | 2108-3501089 | | | | | |
| REPRESENTATIVE MODEL | VAZ 2108 | | | | | |
| INTERCHANGEABLE | CEVARO(90.-93.) SAMARA (VAZ 2108/2109)(86.-96.) SAMARA FORMA / DIVA / SAGONA (VAZ 2109)(88.-97.) | | | | | |
| PO | SP | WVA | FMSI | HP | TRW | |
| FRONT (PAD) | SP1165 | 20789 | | | GDB469 | |



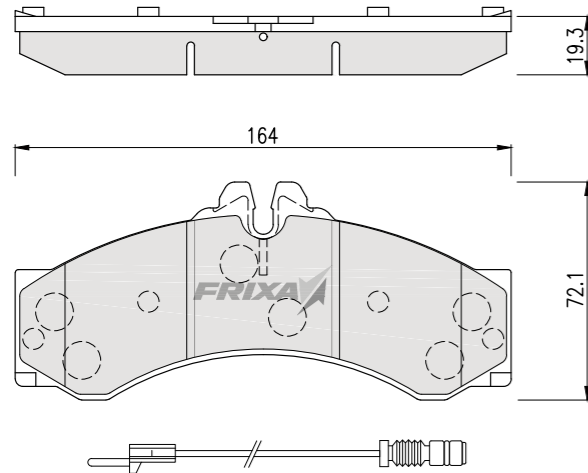
| FPE106 | | LADA | | | | |
|----------------------|---|-------|------|----|-----|--|
| PART NUMBER | 2101-3501089 | | | | | |
| REPRESENTATIVE MODEL | WHA 2101-2107 | | | | | |
| INTERCHANGEABLE | NOVA - KALINA (VAZ 2105/2107)(81.-00.) RIVA ESTATE (VAZ 2101/2102/2103/2106)(73.-85.) | | | | | |
| PO | SP | WVA | FMSI | HP | TRW | |
| FRONT (PAD) | SP1199 | 20166 | | | | |



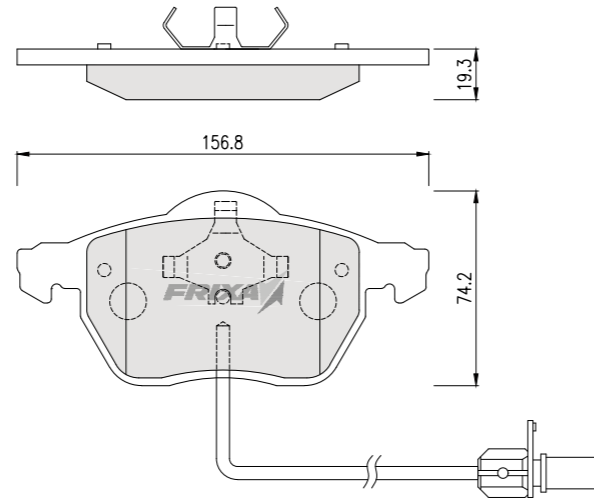
| FPE107 | | GAZ | | | | |
|----------------------|----------------------|-------|-----------|----|--------|--|
| PART NUMBER | 45022-SG9-V00 | | | | | |
| REPRESENTATIVE MODEL | VOLGA | | | | | |
| INTERCHANGEABLE | GAZELLE | | | | | |
| PO | SP | WVA | FMSI | HP | TRW | |
| FRONT (PAD) | SP1200 | 20083 | D405-7294 | | GDB851 | |



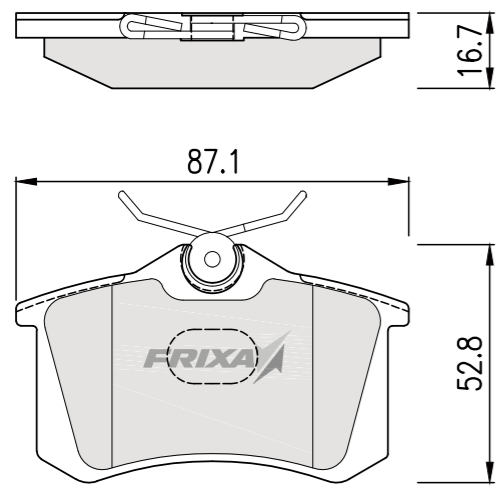
| FPE108 | | MERCEDES-BENZ | | | | |
|----------------------|-------------------------|---------------|-----------|----|---------|--|
| PART NUMBER | 0004217391 | | | | | |
| REPRESENTATIVE MODEL | SPRINTER | | | | | |
| INTERCHANGEABLE | SPRINTER (904)(96.-03.) | | | | | |
| PO | SP | WVA | FMSI | HP | TRW | |
| FRONT/REAR (PAD) | SP1245 | 29076 | D949-7848 | | GDB1288 | |



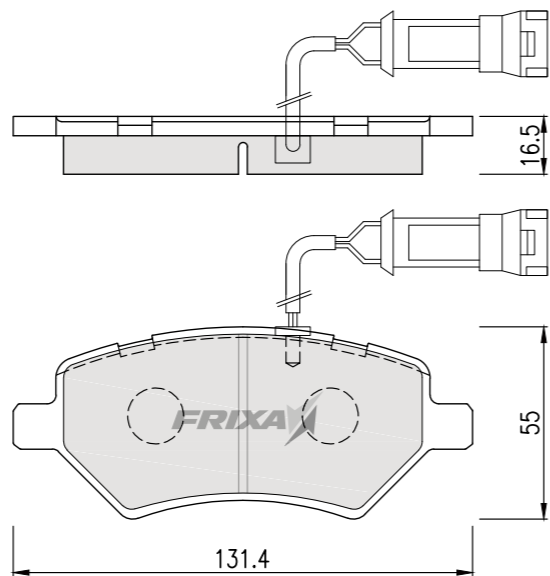
| FPE109 | | AUDI | | | | |
|----------------------|---|-------|-----------|--------|---------|--|
| PART NUMBER | 4B0698151E | | | | | |
| REPRESENTATIVE MODEL | A4 | | | | | |
| INTERCHANGEABLE | JA4(97.05-98.10), JB1,JB2(98.10-03.09), JB5,JB6(03.09-) | | | | | |
| PO | SP | WVA | FMSI | HP | TRW | |
| FRONT (PAD) | SP2001 | 20676 | D840-7711 | HP5253 | GDB1049 | |



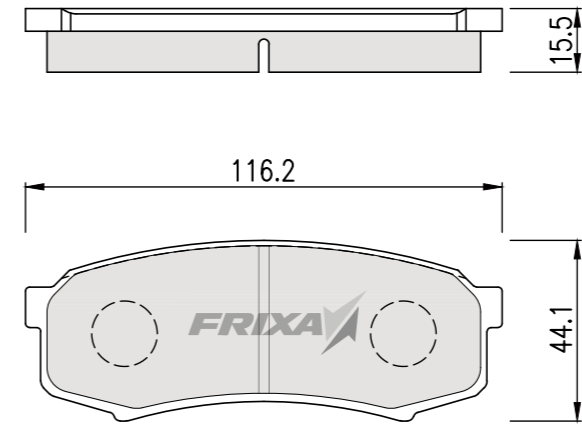
| FPE110 | | AUDI | | | | |
|----------------------|------------|-------|-----------|--------|---------|--|
| PART NUMBER | 1A0698451E | | | | | |
| REPRESENTATIVE MODEL | A4 | | | | | |
| INTERCHANGEABLE | A3, A6 | | | | | |
| PO | SP | WVA | FMSI | HP | TRW | |
| REAR (PAD) | SP2029 | 20261 | D340-7234 | HP8343 | GDB1196 | |



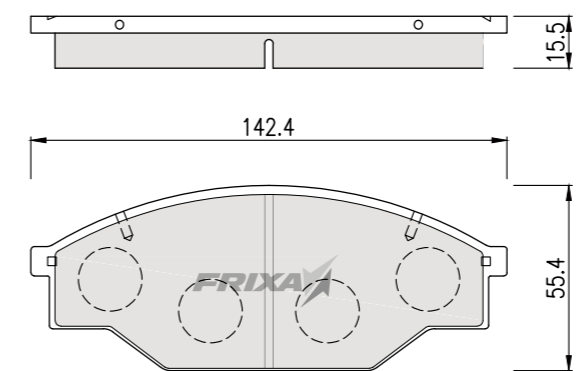
| FPE111 | | CHERY | | | | |
|----------------------|---------------|-------|------|--------|---------|--|
| PART NUMBER | A133501080 | | | | | |
| REPRESENTATIVE MODEL | CHERY, A3, A5 | | | | | |
| INTERCHANGEABLE | | | | | | |
| PO | SP | WVA | FMSI | HP | TRW | |
| FRONT (PAD) | SP2134 | | | HP5137 | GDB7813 | |



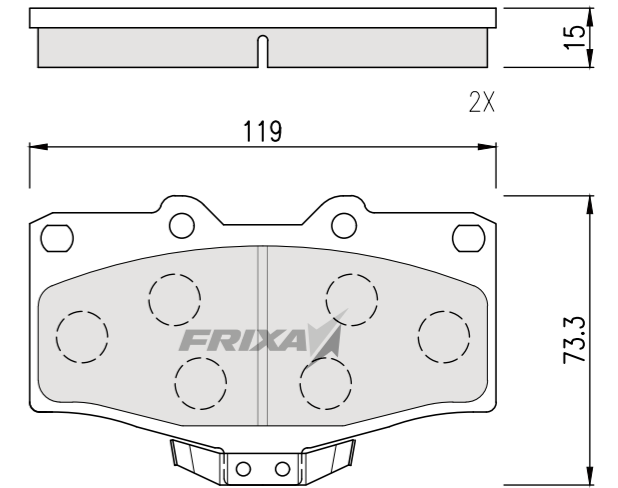
| FPE113 | | TOYOTA | | | | |
|----------------------|--------------------|--------|-----------|--------|-----|--|
| PART NUMBER | 04466-60060 | | | | | |
| REPRESENTATIVE MODEL | LAND CRUISER PRADO | | | | | |
| INTERCHANGEABLE | HI-LUX(EURO) | | | | | |
| PO | SP | WVA | FMSI | HP | TRW | |
| REAR (PAD) | SP2040 | 21947 | D606-7487 | HP5037 | | |



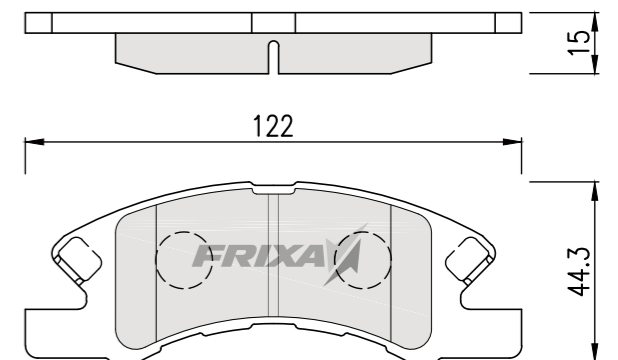
| FPE115 | | TOYOTA | | | | |
|----------------------|---|--------|-----------|--------|---------|--|
| PART NUMBER | 04465-YZZ56 | | | | | |
| REPRESENTATIVE MODEL | HIACE 90-98 | | | | | |
| INTERCHANGEABLE | DYNA/TOYOACE, HI-LUX SURF(PICKUP), HI-LUX(EURO) QUICK DELIVERY QUICK DELIVERY | | | | | |
| PO | SP | WVA | FMSI | HP | TRW | |
| FRONT (PAD) | SP1121 | 21158 | D438-7205 | HP5011 | GDB7045 | |



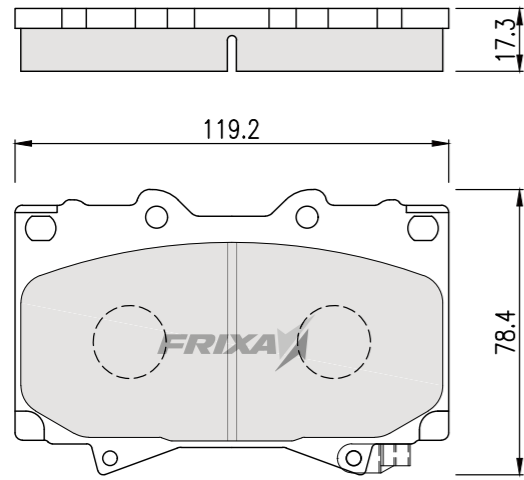
| FPE114 | | TOYOTA | | | | |
|----------------------|--|--------|-----------|--------|-----|--|
| PART NUMBER | 04465-YZZ57 | | | | | |
| REPRESENTATIVE MODEL | HILUX 4*4 | | | | | |
| INTERCHANGEABLE | HI-LUX(EURO) LAND CRUISER/LAND CRUISER PRADO | | | | | |
| PO | SP | WVA | FMSI | HP | TRW | |
| FRONT (PAD) | SP1222 | 21679 | D436-7298 | HP5036 | | |



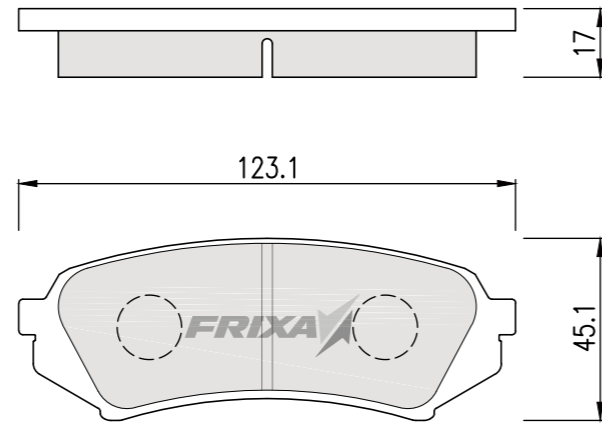
| FPE116 | | DAIHATSU | | | | |
|----------------------|--|----------|------------|----|-----|--|
| PART NUMBER | 04465-B2040 | | | | | |
| REPRESENTATIVE MODEL | MEERA 05MY | | | | | |
| INTERCHANGEABLE | CHARADE, CUORE VII, CUORE VIII, TREVIS | | | | | |
| PO | SP | WVA | FMSI | HP | TRW | |
| FRONT (PAD) | SP1593 | 24229 | D1731-8956 | | | |



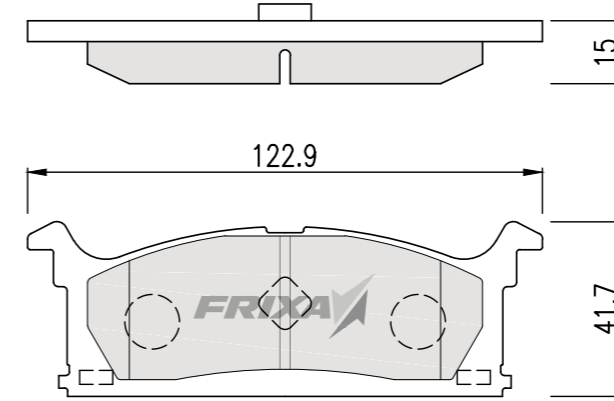
| FPE117 | | TOYOTA | | | | |
|----------------------|---------------------------|--------|-----------|--------|-----|--|
| PART NUMBER | 04465-60190 | | | | | |
| REPRESENTATIVE MODEL | HDZ100 LAND CRIUSER FRONT | | | | | |
| INTERCHANGEABLE | | | | | | |
| PO | SP | WVA | FMSI | HP | TRW | |
| FRONT (PAD) | SP1379 | 23524 | D772-7639 | HP5084 | | |



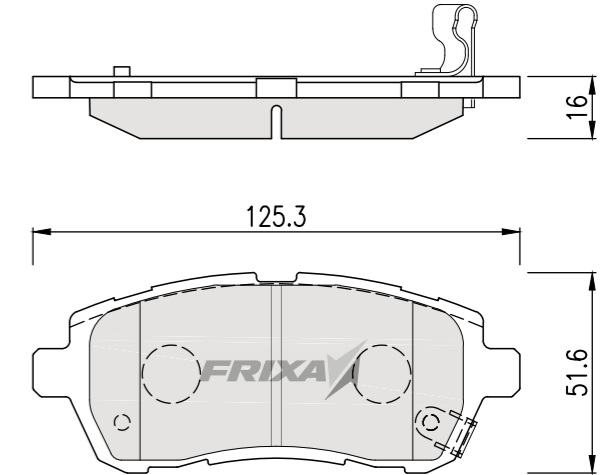
| FPE118 | | TOYOTA | | | | |
|----------------------|--------------------------|--------|-----------|--------|-----|--|
| PART NUMBER | 04466-60070 | | | | | |
| REPRESENTATIVE MODEL | HDZ100 LAND CRIUSER REAR | | | | | |
| INTERCHANGEABLE | | | | | | |
| PO | SP | WVA | FMSI | HP | TRW | |
| REAR (PAD) | SP1380 | 23539 | D773-7640 | HP5199 | | |



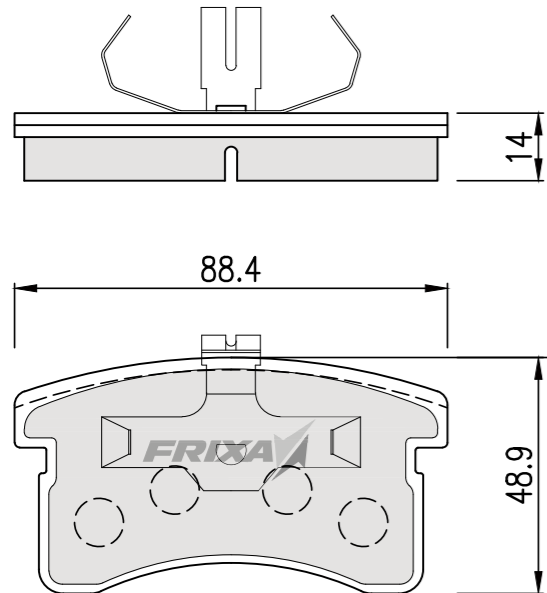
| FPE122 | | SUZUKI | | | | |
|----------------------|-------------|--------|-------------------|--------|--------|--|
| PART NUMBER | 55200-82860 | | | | | |
| REPRESENTATIVE MODEL | SWIFT | | | | | |
| INTERCHANGEABLE | CULTUS | | | | | |
| PO | SP | WVA | FMSI | HP | TRW | |
| FRONT (PAD) | | 21252 | D296 7197-D296 | HP7443 | GDB382 | |



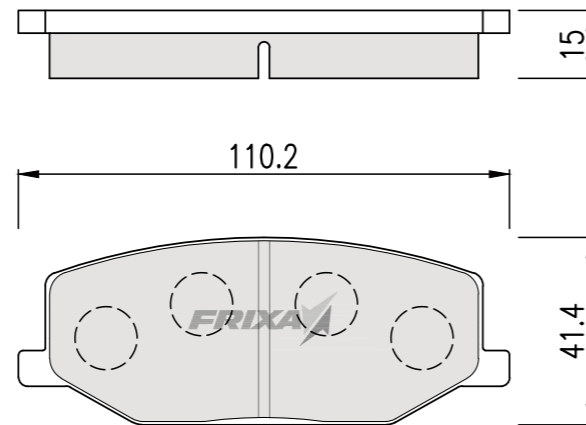
| FPE123 | | MAZDA | | | | |
|----------------------|---------------|-------|------------|----|-----|--|
| PART NUMBER | DFY13328ZA | | | | | |
| REPRESENTATIVE MODEL | MAZDA2 | | | | | |
| INTERCHANGEABLE | DEMIO, DEMIO3 | | | | | |
| PO | SP | WVA | FMSI | HP | TRW | |
| FRONT (PAD) | SP2113 | 24283 | D1454-8653 | | | |



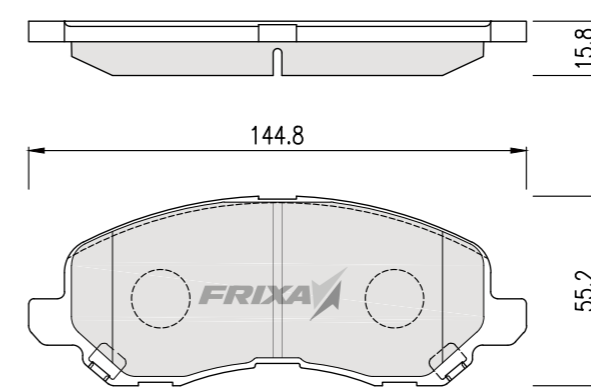
| FPE119 | | DAIHATSU | | | | |
|----------------------|--|----------|------|----|---------|--|
| PART NUMBER | 04491-87228 | | | | | |
| REPRESENTATIVE MODEL | CUORE NEW | | | | | |
| INTERCHANGEABLE | DOMINO, LEEZA, MIRA, MOVE, OPTI, PERODUA NIPPA | | | | | |
| PO | SP | WVA | FMSI | HP | TRW | |
| FRONT (PAD) | | | | | GDB3126 | |



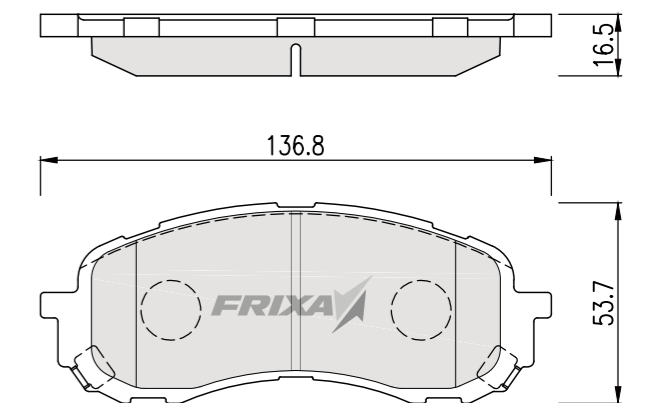
| FPE120 | | SUZUKI | | | | |
|----------------------|-------------------|--------|-----------|--------|--------|--|
| PART NUMBER | 55200-81A10 | | | | | |
| REPRESENTATIVE MODEL | JIMNY+POTOHAR JEE | | | | | |
| INTERCHANGEABLE | | | | | | |
| PO | SP | WVA | FMSI | HP | TRW | |
| FRONT (PAD) | SP1540 | 21142 | D660-7540 | HP8448 | GDB383 | |



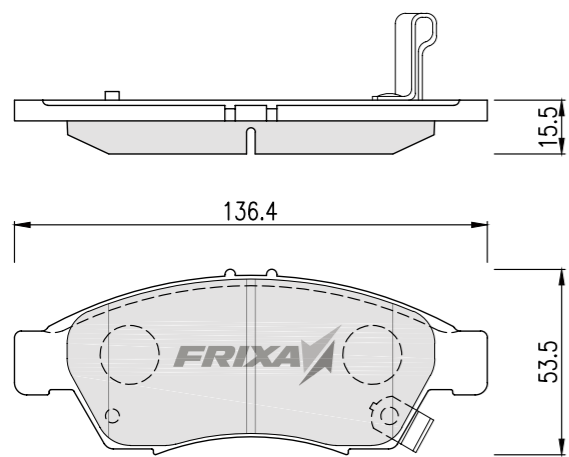
| FPE124 | | MITSUBISHI | | | | |
|----------------------|--|------------|-----------|--------|---------|--|
| PART NUMBER | 4605A261 | | | | | |
| REPRESENTATIVE MODEL | LANCER | | | | | |
| INTERCHANGEABLE | LEGNUM, OUTLANDER, SPACE RUNNER, ASX, RVR, AIRTREK, CHARIOT, DELICA, DION, ECLIPSE | | | | | |
| PO | SP | WVA | FMSI | HP | TRW | |
| FRONT (PAD) | SP1360 | 23584 | D866-8338 | HP5158 | GDB3287 | |



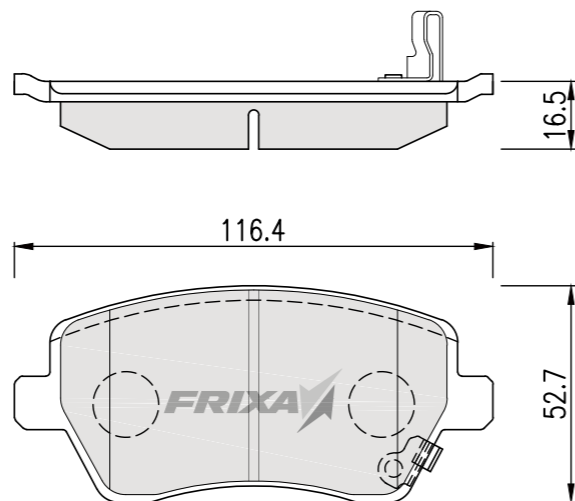
| FPE125 | | SUBARU | | | | |
|----------------------|-----------------|--------|------------|----|---------|--|
| PART NUMBER | 26296AE200 | | | | | |
| REPRESENTATIVE MODEL | IMPREZA | | | | | |
| INTERCHANGEABLE | IMPREZA, LEGACY | | | | | |
| PO | SP | WVA | FMSI | HP | TRW | |
| FRONT (PAD) | SP1629 | 24372 | D1999-9229 | | GDB7682 | |



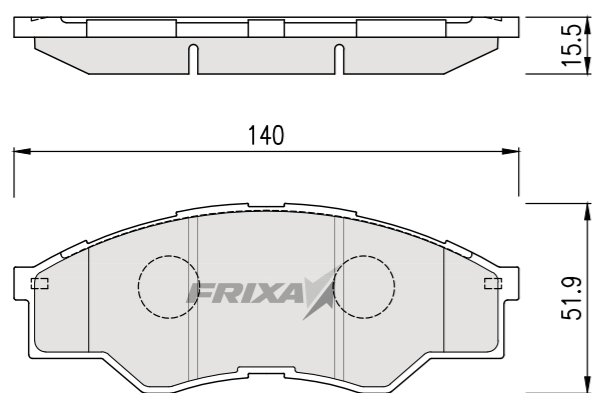
| FPE126 | | SUZUKI | | | | |
|----------------------|------------|--------|------------|--------|---------|--|
| PART NUMBER | 5581054G51 | | | | | |
| REPRESENTATIVE MODEL | LIANA | | | | | |
| INTERCHANGEABLE | | | | | | |
| PO | SP | WVA | FMSI | HP | TRW | |
| FRONT (PAD) | SP1541 | 23817 | D1195-8315 | HP8153 | GDB3290 | |



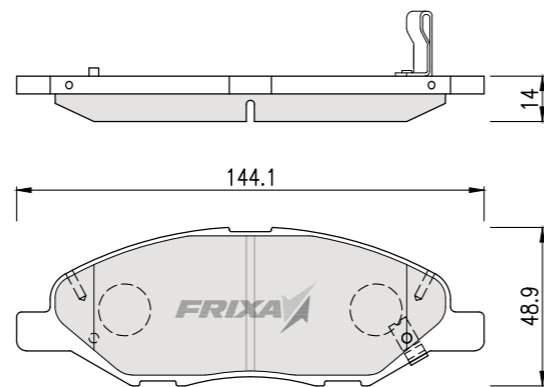
| FPE127 | | SUZUKI | | | | |
|----------------------|------------|--------|------------|----|---------|--|
| PART NUMBER | 5581062J00 | | | | | |
| REPRESENTATIVE MODEL | SWIFT | | | | | |
| INTERCHANGEABLE | SPLASH | | | | | |
| PO | SP | WVA | FMSI | HP | TRW | |
| FRONT (PAD) | SP1564 | 23973 | D1435-8553 | | GDB3396 | |



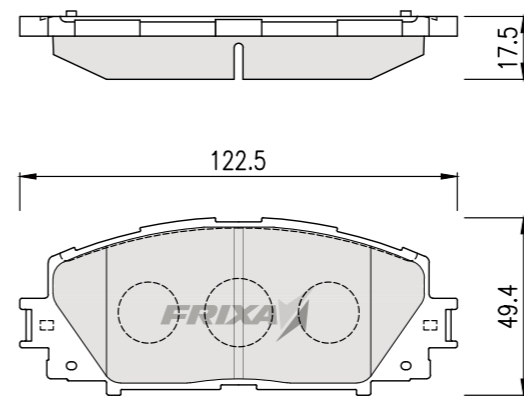
| FPE128 | | TOYOTA | | | | |
|----------------------|--|--------|------------|--------|-----|--|
| PART NUMBER | 04465-0K160 | | | | | |
| REPRESENTATIVE MODEL | PICK UP | | | | | |
| INTERCHANGEABLE | HI-LUX PICK UP(07.-) HI-LUX VIGO INNOVA/KIJANG | | | | | |
| PO | SP | WVA | FMSI | HP | TRW | |
| FRONT (PAD) | SP1276 | 24567 | D1710-8934 | HP5266 | | |



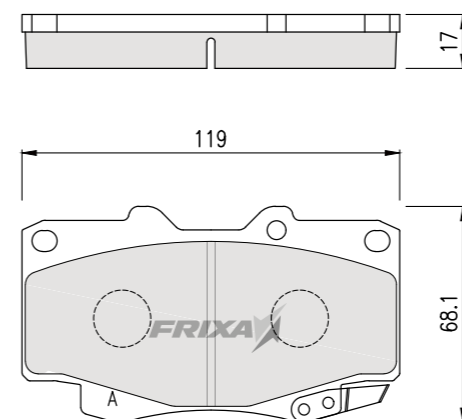
| FPE129 | | NISSAN | | | | |
|----------------------|--|--------|------------|--------|---------|--|
| PART NUMBER | 41060-AX085 | | | | | |
| REPRESENTATIVE MODEL | TIIDA | | | | | |
| INTERCHANGEABLE | AD EXPERT,BLUEBIRD/SYLPHY,CUBE,LATIO,MARCH MICRA,NOTE,VERSA,WINGROAD | | | | | |
| PO | SP | WVA | FMSI | HP | TRW | |
| FRONT (PAD) | SP1383 | 24682 | D1345-8456 | HP5267 | GDB7743 | |



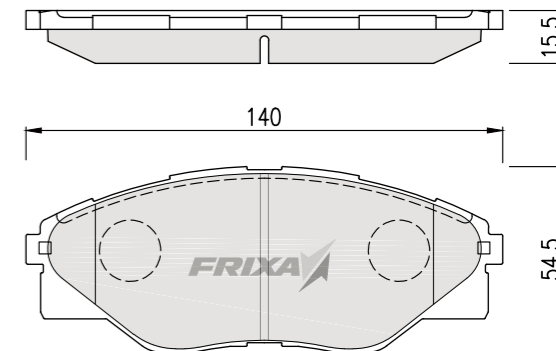
| FPE130 | | TOYOTA | | | | |
|----------------------|--|--------|------------|----|---------|--|
| PART NUMBER | 04465-52180 | | | | | |
| REPRESENTATIVE MODEL | YARIS | | | | | |
| INTERCHANGEABLE | YARIS(07.-), BELTA, COROLLA, AXIO, PREMIO, ALLION, PRIUS IV, VIOS, VITZ, ALTIS | | | | | |
| PO | SP | WVA | FMSI | HP | TRW | |
| FRONT (PAD) | SP1377 | 24347 | D1184-8538 | | GDB3459 | |



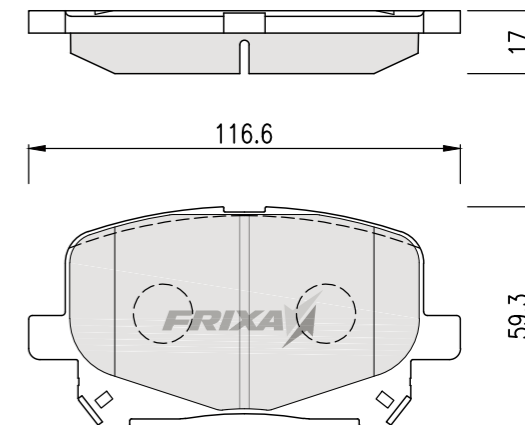
| FPE132 | | TOYOTA | | | | |
|----------------------|--|--------|-----------|--------|---------|--|
| PART NUMBER | 04465-04030 | | | | | |
| REPRESENTATIVE MODEL | PICK UP | | | | | |
| INTERCHANGEABLE | HI-LUX 4X4(05.-) HI-LUX PICKUP(02.-06.) HI-LUX VIGO FORTUNER TACOMA TACOMA STOUT | | | | | |
| PO | SP | WVA | FMSI | HP | TRW | |
| FRONT (PAD) | SP1375 | 21680 | D799-7671 | HP5200 | GDB3428 | |



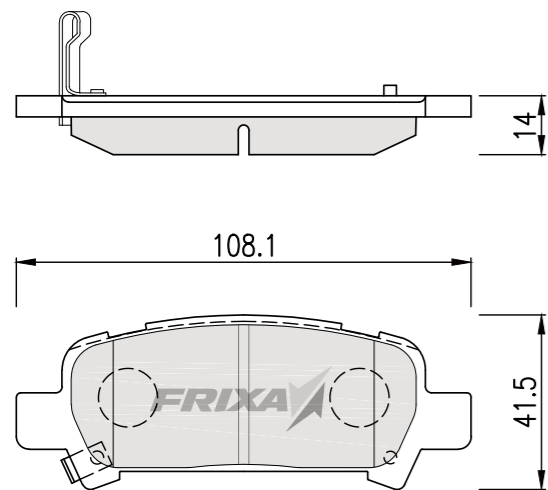
| FPE131 | | TOYOTA | | | | |
|----------------------|----------------------------|--------|------------|--------|-----|--|
| PART NUMBER | 04465-0K290 | | | | | |
| REPRESENTATIVE MODEL | PICK UP | | | | | |
| INTERCHANGEABLE | HI-LUX VIGO, INNOVA/KIJANG | | | | | |
| PO | SP | WVA | FMSI | HP | TRW | |
| FRONT (PAD) | SP1544 | 23416 | D1523-8731 | HP5276 | | |



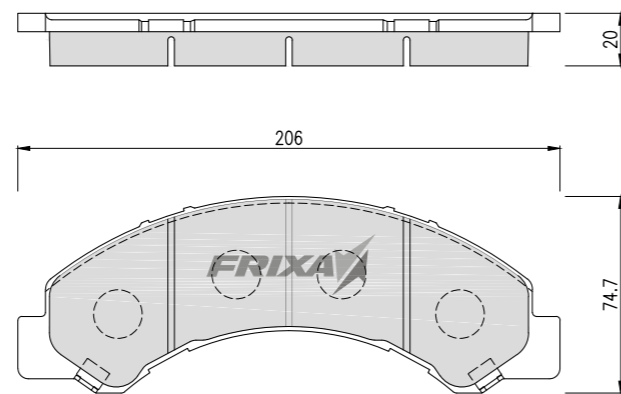
| FPE133 | | TOYOTA | | | | |
|----------------------|-------------------------------------|--------|------------|--------|-----|--|
| PART NUMBER | 04465-28400 | | | | | |
| REPRESENTATIVE MODEL | ESTIMA | | | | | |
| INTERCHANGEABLE | ESTIMA / HYBRID(99.12-03.04) PREVIA | | | | | |
| PO | SP | WVA | FMSI | HP | TRW | |
| FRONT (PAD) | SP1591 | 24522 | D1227-8346 | HP8488 | | |



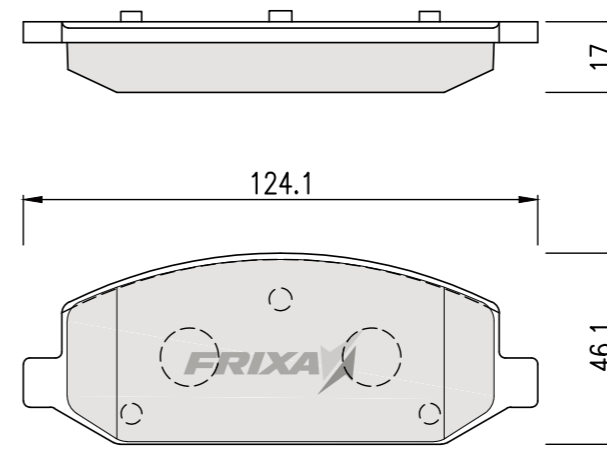
| FPE134 | | SUBARU | | | |
|----------------------|---------------------------------------|--------|-----------|--------|---------|
| PART NUMBER | 26292-AE020 | | | | |
| REPRESENTATIVE MODEL | IMPREZA R | | | | |
| INTERCHANGEABLE | IMPREZA, LEGACY,OUTBACK,BAJA,FORESTER | | | | |
| PO | SP | WVA | FMSI | HP | TRW |
| REAR (PAD) | SP2120 | 23572 | D770-7637 | HP5132 | GDB3223 |



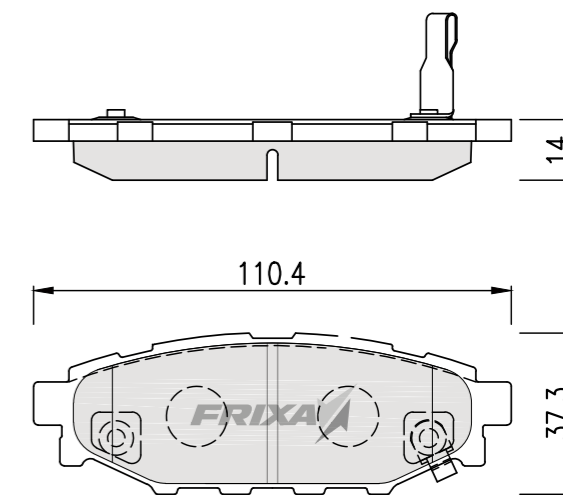
| FPE135 | | ISUZU | | | |
|----------------------|-----------------------|-------|-----------|--------|---------|
| PART NUMBER | 8-97329266-0 | | | | |
| REPRESENTATIVE MODEL | ELF | | | | |
| INTERCHANGEABLE | COMMERICAL NPR SERIES | | | | |
| PO | SP | WVA | FMSI | HP | TRW |
| FRONT (PAD) | SP1667 | 25800 | D825-7697 | HP8188 | GDB7234 |



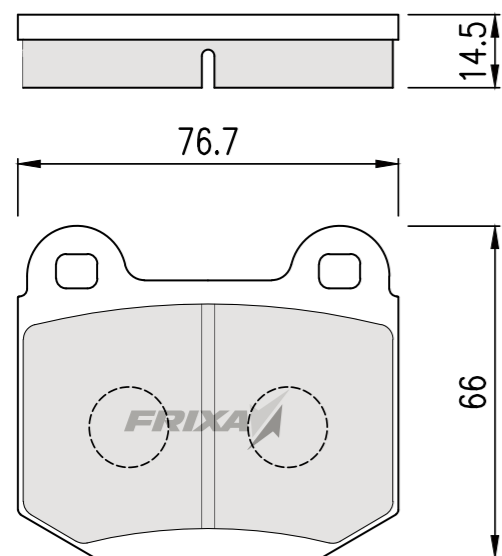
| FPE138 | | CHEVROLET | | | |
|----------------------|----------|-----------|------------|--------|-----|
| PART NUMBER | 19279792 | | | | |
| REPRESENTATIVE MODEL | SAIL | | | | |
| INTERCHANGEABLE | | | | | |
| PO | SP | WVA | FMSI | HP | TRW |
| FRONT (PAD) | SP2199 | | D1661-8888 | HP5274 | |



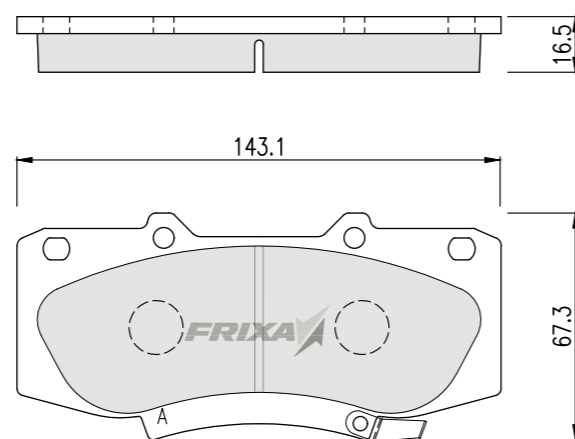
| FPE139 | | SUBARU | | | |
|----------------------|------------|--------|------------|--------|--------|
| PART NUMBER | 26696AG031 | | | | |
| REPRESENTATIVE MODEL | LEGACY | | | | |
| INTERCHANGEABLE | | | | | |
| PO | SP | WVA | FMSI | HP | TRW |
| REAR (PAD) | SP2118 | 24271 | D1114-8218 | HP8433 | DB1803 |



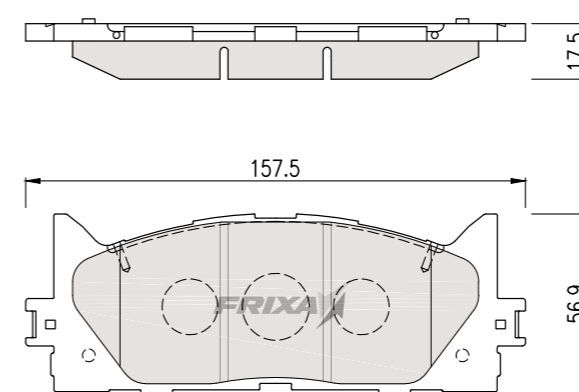
| FPE136 | | MITSUBISHI | | | |
|----------------------|------------|------------|-----------|--------|---------|
| PART NUMBER | 26696FG000 | | | | |
| REPRESENTATIVE MODEL | LANCER EVO | | | | |
| INTERCHANGEABLE | | | | | |
| PO | SP | WVA | FMSI | HP | TRW |
| REAR (PAD) | SP1495 | 21580 | D961-7859 | HP5205 | GDB3350 |



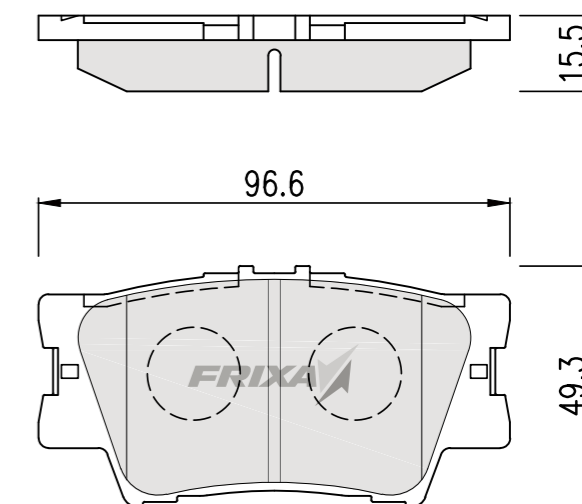
| FPE137 | | TOYOTA | | | |
|----------------------|-----------------|--------|-------|----|-----|
| PART NUMBER | 04465-0K240 | | | | |
| REPRESENTATIVE MODEL | HILUX VII 2009~ | | | | |
| INTERCHANGEABLE | TACOMA | | | | |
| PO | SP | WVA | FMSI | HP | TRW |
| FRONT (PAD) | SP1484 | 25209 | D1567 | | |



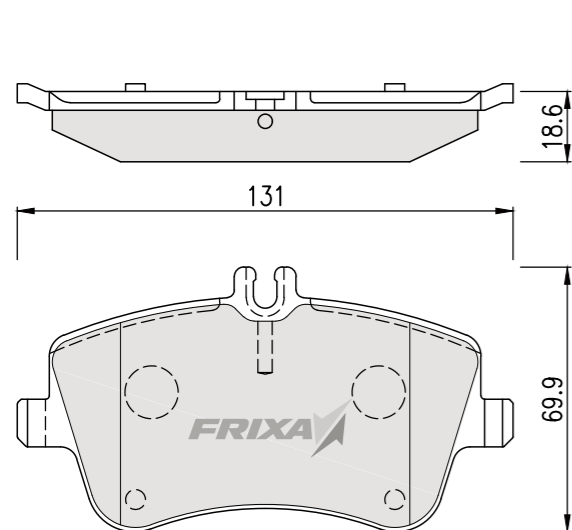
| FPE142 | | TOYOTA | | | |
|----------------------|---|--------|------------|----|---------|
| PART NUMBER | 04465-33440 | | | | |
| REPRESENTATIVE MODEL | CAMRY V | | | | |
| INTERCHANGEABLE | AVALON,VISTA,AURION, DAIHATSU(ALTIS),TOYOTA(AURION) | | | | |
| PO | SP | WVA | FMSI | HP | TRW |
| FRONT (PAD) | SP2080 | 24350 | 8331-D1222 | | GDB3429 |



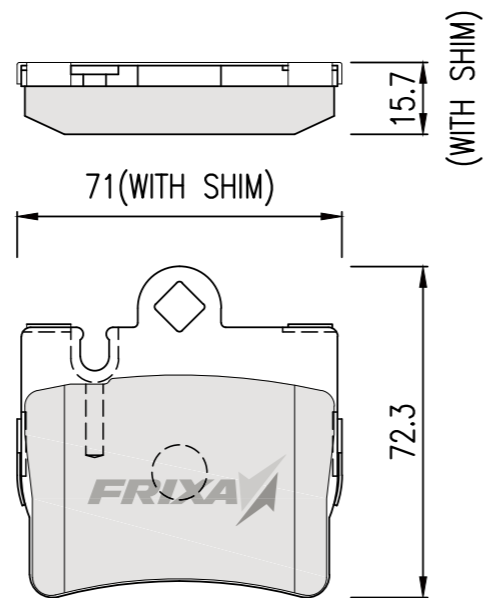
| FPE143 | | TOYOTA | | | |
|----------------------|--|--------|------------|--------|-----|
| PART NUMBER | 04466-33180 | | | | |
| REPRESENTATIVE MODEL | CAMRY | | | | |
| INTERCHANGEABLE | MARK X ZIO,RAV4,AURION VANGUARD,LEXUS(ES350) | | | | |
| PO | SP | WVA | FMSI | HP | TRW |
| REAR (PAD) | SP2081 | 24338 | D1212-8332 | HP5178 | |



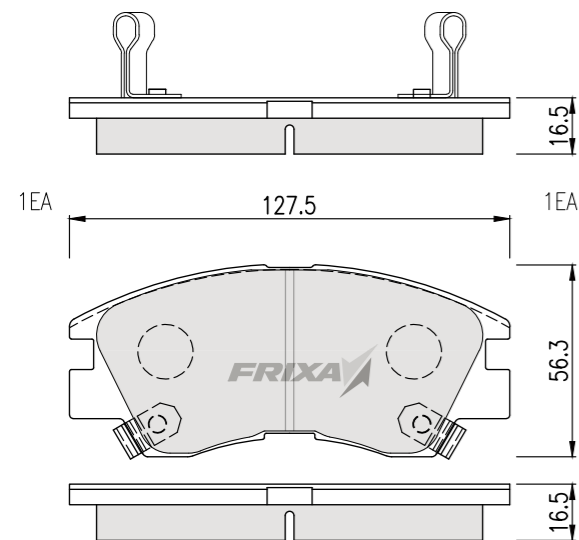
| FPE144 | | MERCEDES-BENZ | | | |
|----------------------|-----------------|---------------|-----------|--------|-----|
| PART NUMBER | A 005 420 62 20 | | | | |
| REPRESENTATIVE MODEL | C200 | | | | |
| INTERCHANGEABLE | | | | | |
| PO | SP | WVA | FMSI | HP | TRW |
| FRONT (PAD) | SP2191 | 23144 | D872-7747 | HP5191 | |



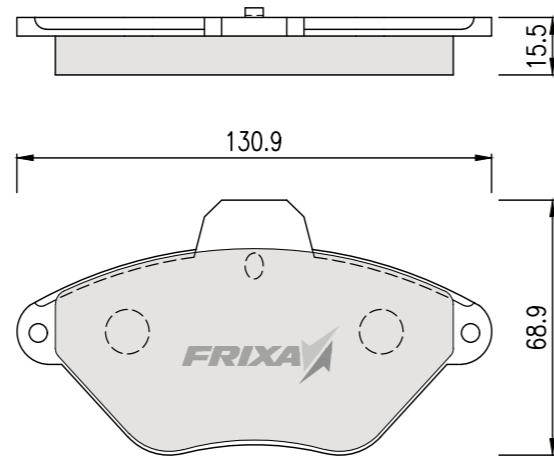
| FPE145 | | MERCEDES-BENZ | | | |
|----------------------|---------------|---------------|-----------|--------|-----|
| PART NUMBER | 003 420 06 20 | | | | |
| REPRESENTATIVE MODEL | C200 | | | | |
| INTERCHANGEABLE | | | | | |
| PO | SP | WVA | FMSI | HP | TRW |
| REAR (PAD) | SP2192 | 23078 | D848-7724 | HP5193 | |



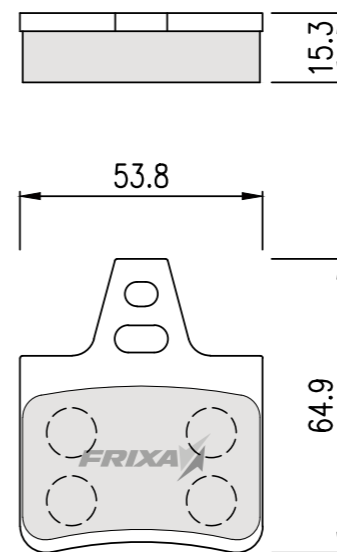
| FPE149 | | MITSUBISHI | | | |
|----------------------|-----------------|------------|-----------|--------|-----|
| PART NUMBER | MB500812 | | | | |
| REPRESENTATIVE MODEL | PAJERO L300 | | | | |
| INTERCHANGEABLE | MONTERO, STRADA | | | | |
| PO | SP | WVA | FMSI | HP | TRW |
| FRONT (PAD) | SP1135 | 21373 | D349-7241 | HP5022 | |



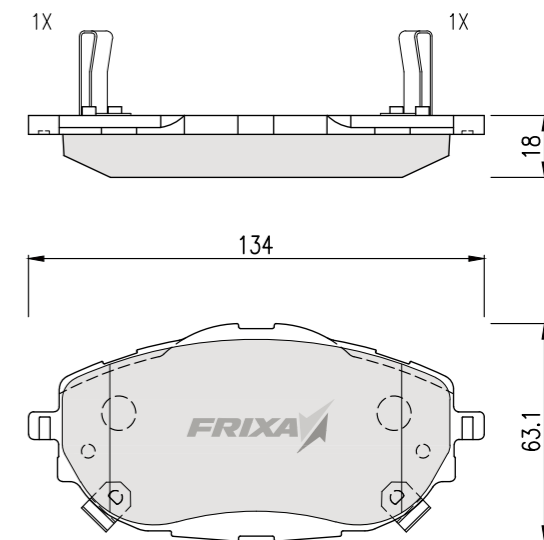
| FPE151 | | CITROEN | | | |
|----------------------|---------|---------|------|--------|-----|
| PART NUMBER | 4251.13 | | | | |
| REPRESENTATIVE MODEL | XANTIA | | | | |
| INTERCHANGEABLE | | | | | |
| PO | SP | WVA | FMSI | HP | TRW |
| FRONT (PAD) | SP1253 | 21632 | | HP5100 | |



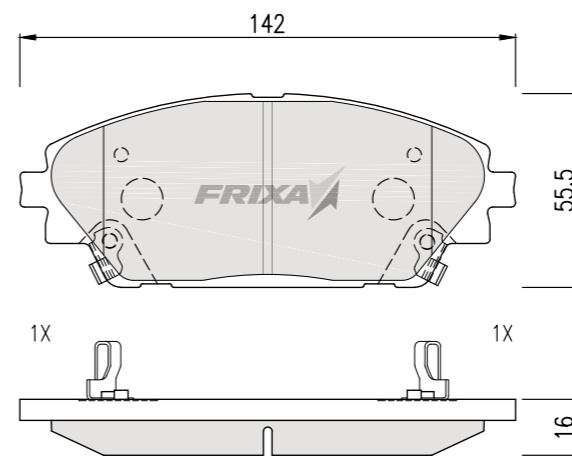
| FPE152 | | CITROEN | | | |
|----------------------|---------|---------|------------|--------|-----|
| PART NUMBER | 4521.83 | | | | |
| REPRESENTATIVE MODEL | XANTIA | | | | |
| INTERCHANGEABLE | | | | | |
| PO | SP | WVA | FMSI | HP | TRW |
| REAR (PAD) | SP1254 | 20162 | D1217-8337 | HP5101 | |



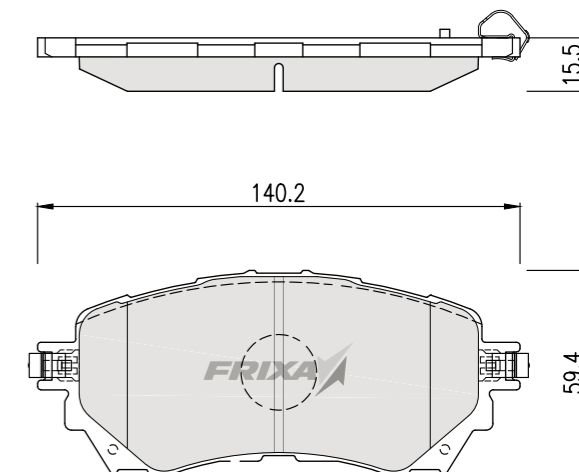
| FPE156 | | TOYOTA | | | |
|----------------------|----------------|--------|------------|----|-----|
| PART NUMBER | 04465-02390 | | | | |
| REPRESENTATIVE MODEL | AURIS, COROLLA | | | | |
| INTERCHANGEABLE | | | | | |
| PO | SP | WVA | FMSI | HP | TRW |
| FRONT (PAD) | SP1700 | 25698 | D1964-9189 | | |



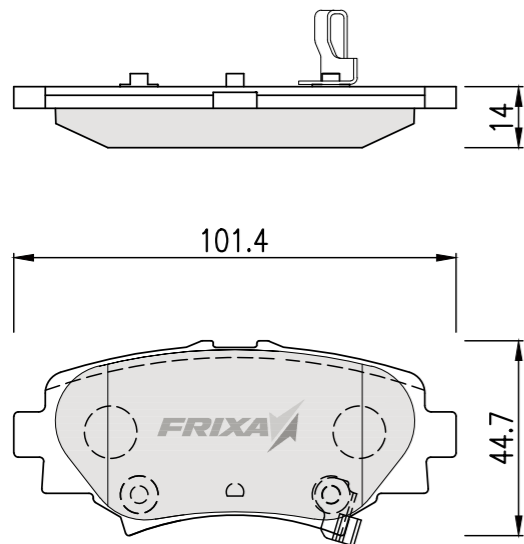
| FPE157 | | MAZDA | | | |
|----------------------|----------------------|-------|------------|----|-----|
| PART NUMBER | BHY1-33-28ZA | | | | |
| REPRESENTATIVE MODEL | MAZDA 3 | | | | |
| INTERCHANGEABLE | MAZDA 3 SALOON, CX-3 | | | | |
| PO | SP | WVA | FMSI | HP | TRW |
| FRONT (PAD) | SP1729 | 25875 | D1728-8952 | | |



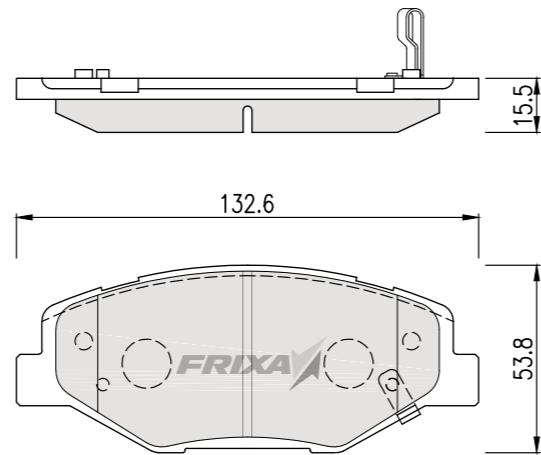
| FPE158 | | MAZDA | | | |
|----------------------|-------------------------|-------|------------|----|-----|
| PART NUMBER | G4YA-33-28ZA | | | | |
| REPRESENTATIVE MODEL | MAZDA 6 SALOON | | | | |
| INTERCHANGEABLE | MAZDA6 SALOON, 6 ESTATE | | | | |
| PO | SP | WVA | FMSI | HP | TRW |
| FRONT (PAD) | SP1728 | 25725 | D1711-8936 | | |



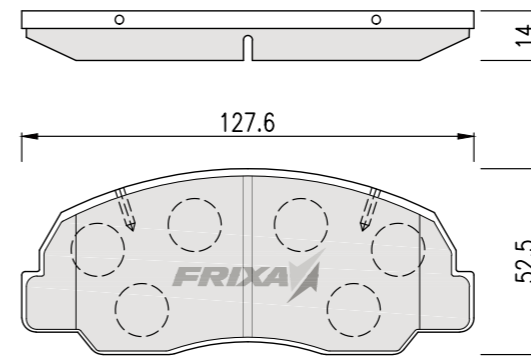
| FPE159 | | MAZDA | | | |
|----------------------|------------------------------|-------|------------|----|-----|
| PART NUMBER | B4Y0-26-48ZA | | | | |
| REPRESENTATIVE MODEL | MAZDA 3 (BM) SKYAKTIV | | | | |
| INTERCHANGEABLE | MAZDA 3 SALOON (BM) SKYAKTIV | | | | |
| PO | SP | WVA | FMSI | HP | TRW |
| REAR (PAD) | SP1730 | 25878 | D1729-8953 | | |



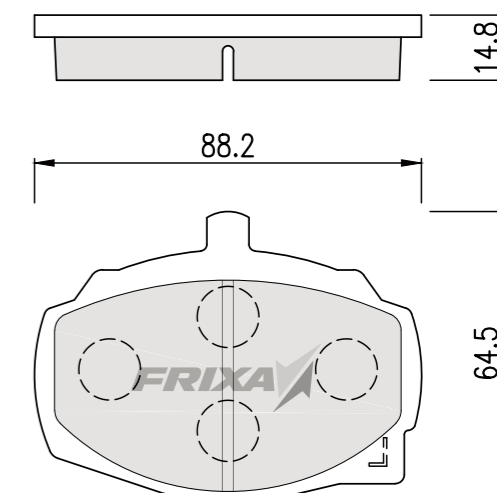
| FPE160 | | KHODRO | | | |
|----------------------|------------|--------|------|--------|-----|
| PART NUMBER | | | | | |
| REPRESENTATIVE MODEL | NEW SAMAND | | | | |
| INTERCHANGEABLE | | | | | |
| PO | SP | WVA | FMSI | HP | TRW |
| FRONT (PAD) | SP1418 | | | HP5271 | |



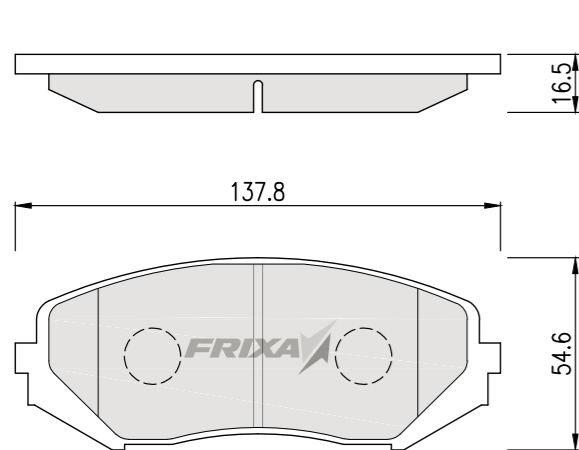
| FPE163 | | MAZDA | | | |
|----------------------|--------------------|-------|-----------|--------|-----|
| PART NUMBER | 04491-60020 | | | | |
| REPRESENTATIVE MODEL | MAZDA B-SERIES | | | | |
| INTERCHANGEABLE | | | | | |
| PO | SP | WVA | FMSI | HP | TRW |
| FRONT (PAD) | SP1417 | 21243 | D239-7151 | HP8250 | |



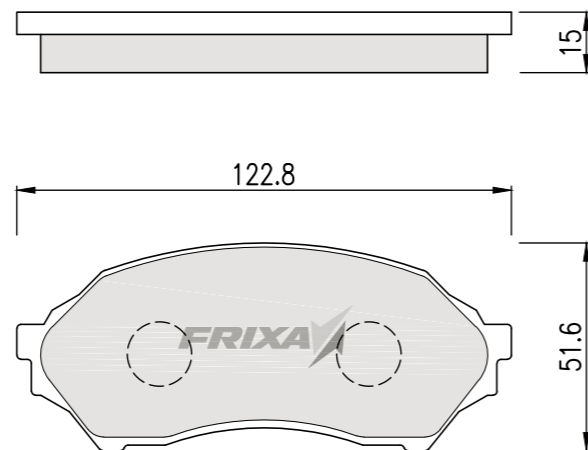
| FPE164 | | KHODRO | | | |
|----------------------|----------------|--------|---------|----|-----|
| PART NUMBER | 5059479 | | | | |
| REPRESENTATIVE MODEL | PAYKAN | | | | |
| INTERCHANGEABLE | HILLMAN | | | | |
| PO | SP | WVA | FMSI | HP | TRW |
| FRONT (PAD) | SP1358 | | D68-760 | | |



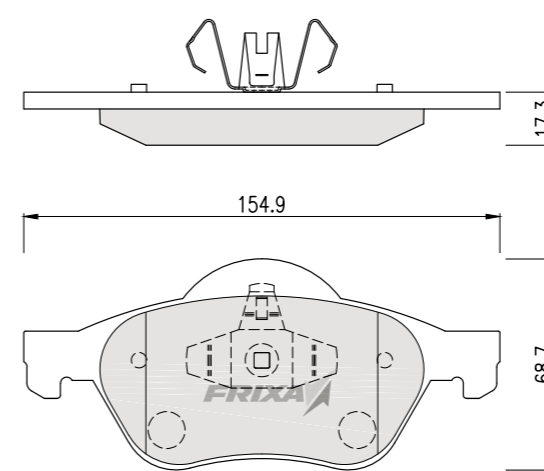
| FPE161 | | SUZUKI | | | |
|----------------------|--------------------|--------|------------|--------|-----|
| PART NUMBER | 55200-65J00 | | | | |
| REPRESENTATIVE MODEL | VITARA | | | | |
| INTERCHANGEABLE | | | | | |
| PO | SP | WVA | FMSI | HP | TRW |
| FRONT (PAD) | SP1416 | 24346 | D1188-8307 | HP8447 | |



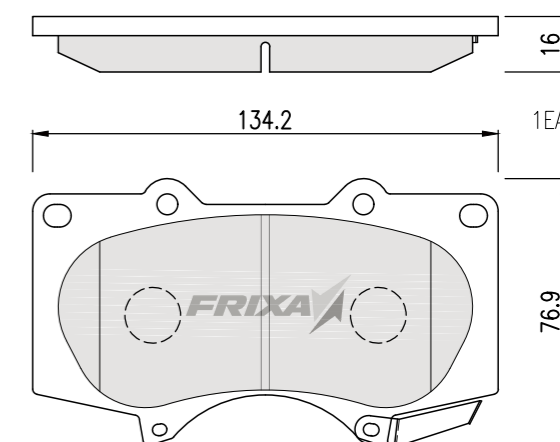
| FPE162 | | MAZDA | | | |
|----------------------|--------------------|-------|-----------|--------|-----|
| PART NUMBER | BJYD-33-23Z | | | | |
| REPRESENTATIVE MODEL | MAZDA 323, FORD | | | | |
| INTERCHANGEABLE | | | | | |
| PO | SP | WVA | FMSI | HP | TRW |
| FRONT (PAD) | SP1227 | 23490 | D798-7670 | HP5016 | |



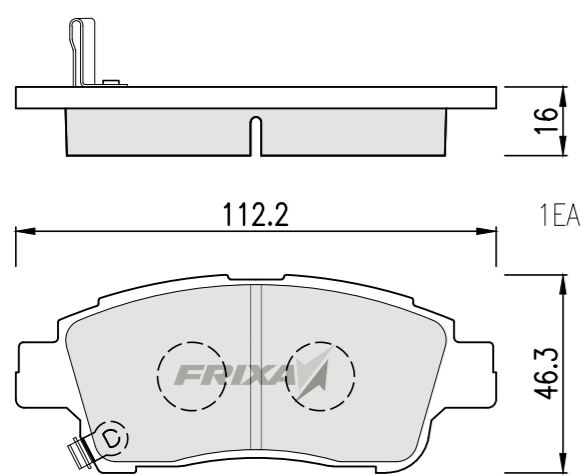
| FPE165 | | RENAULT | | | |
|----------------------|---------------------------------------|---------|------------|----|-----|
| PART NUMBER | 41060-1237R | | | | |
| REPRESENTATIVE MODEL | CLIO | | | | |
| INTERCHANGEABLE | RENAULTCLIO III, MEGANE II, SCENIC II | | | | |
| PO | SP | WVA | FMSI | HP | TRW |
| FRONT (PAD) | SP1414 | 23215 | D1542-8750 | | |



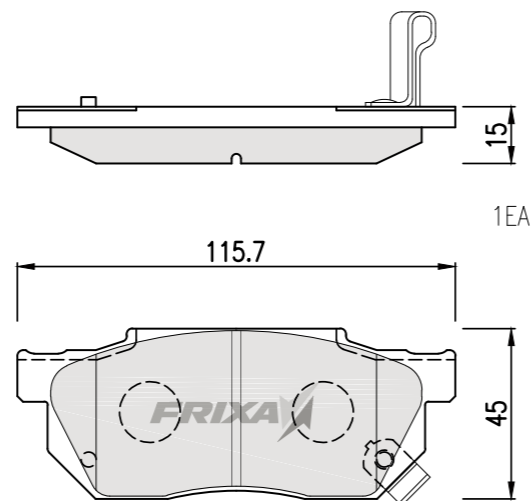
| FPE166 | | TOYOTA | | | |
|----------------------|--------------------|--------|-----------|--------|--------|
| PART NUMBER | 04465-35290 | | | | |
| REPRESENTATIVE MODEL | LAND CRUISER 2004 | | | | |
| INTERCHANGEABLE | | | | | |
| PO | SP | WVA | FMSI | HP | TRW |
| FRONT (PAD) | SP2033 | 24024 | D976-7875 | HP5098 | DB1482 |



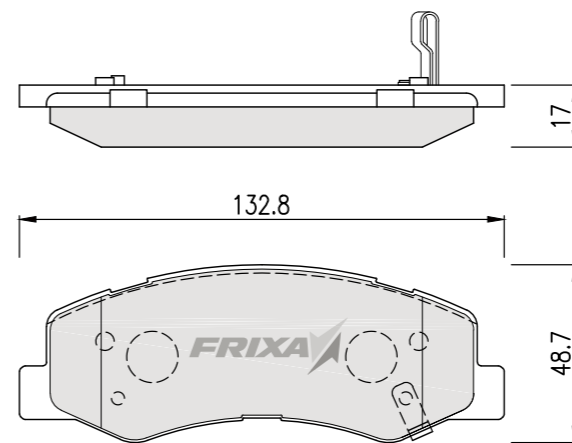
| FPE167 | | TOYOTA | | | | |
|----------------------|-------------|--------|-----------|--------|--------|--|
| PART NUMBER | 04465-52041 | | | | | |
| REPRESENTATIVE MODEL | VITZ 99 | | | | | |
| INTERCHANGEABLE | YARIS | | | | | |
| PO | SP | WVA | FMSI | HP | TRW | |
| FRONT (PAD) | SP1230 | 23348 | D831-7704 | HP5018 | DB1378 | |



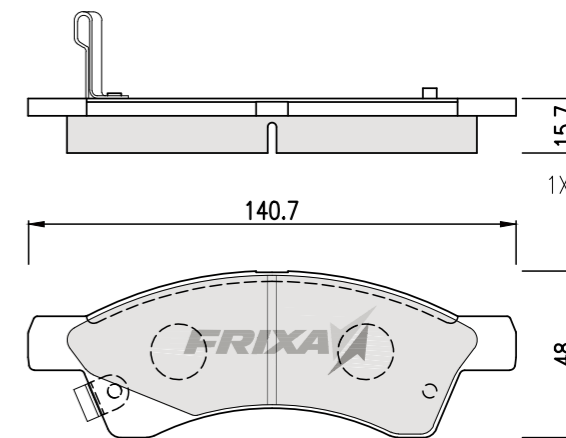
| FPE168 | | HONDA | | | | |
|----------------------|---|-------|-----------|--------|-----|--|
| PART NUMBER | 45022-SB0-505 | | | | | |
| REPRESENTATIVE MODEL | CITY 96-2002 | | | | | |
| INTERCHANGEABLE | CIVIC IV, CIVIC V, JAZZ III, LOGO, PRELUDE II | | | | | |
| PO | SP | WVA | FMSI | HP | TRW | |
| FRONT (PAD) | SP1462 | 20193 | D256-7162 | HP8166 | | |



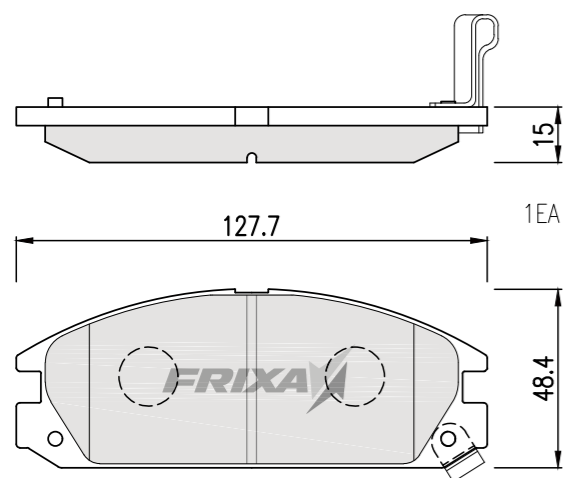
| FPE173 | | KHODRO | | | | |
|----------------------|-------|--------|------|----|-----|--|
| PART NUMBER | | | | | | |
| REPRESENTATIVE MODEL | RUNNA | | | | | |
| INTERCHANGEABLE | | | | | | |
| PO | SP | WVA | FMSI | HP | TRW | |
| FRONT (PAD) | | | | | | |



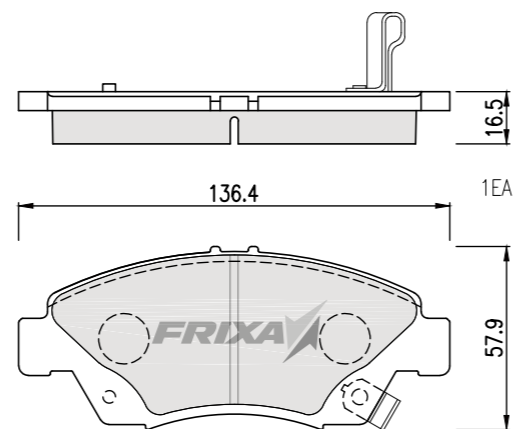
| FPE174 | | SAIPA | | | | |
|----------------------|--------|-------|------|----|-----|--|
| PART NUMBER | | | | | | |
| REPRESENTATIVE MODEL | TIBA | | | | | |
| INTERCHANGEABLE | | | | | | |
| PO | SP | WVA | FMSI | HP | TRW | |
| FRONT (PAD) | SP1722 | | | | | |



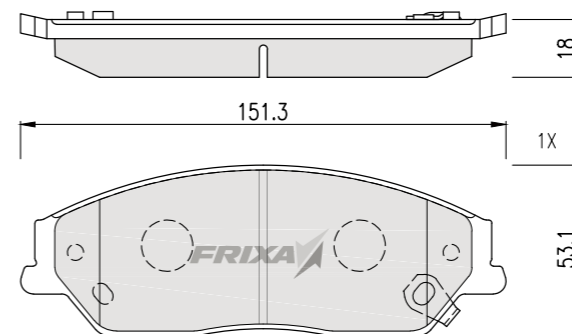
| FPE169 | | HONDA | | | | |
|----------------------|----------------|-------|-----------|--------|-----|--|
| PART NUMBER | 45022-SB2-780 | | | | | |
| REPRESENTATIVE MODEL | ACCORD 86 | | | | | |
| INTERCHANGEABLE | INTEGRA, CRX I | | | | | |
| PO | SP | WVA | FMSI | HP | TRW | |
| FRONT (PAD) | SP1346 | 20099 | D334-7229 | HP5059 | | |



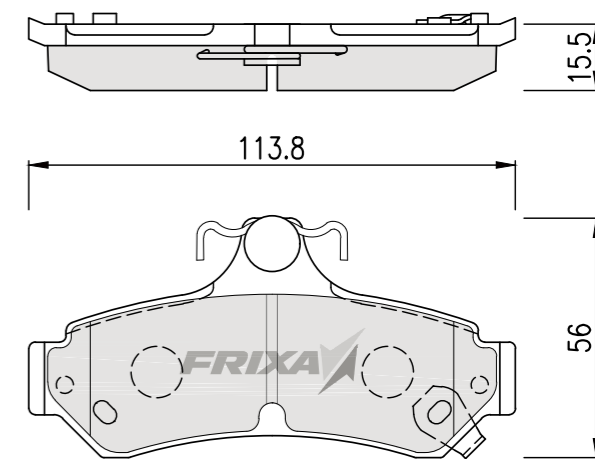
| FPE170 | | HONDA | | | | |
|----------------------|---------------------------------------|-------|-----------|----|-----|--|
| PART NUMBER | 45022-TG0-T00 | | | | | |
| REPRESENTATIVE MODEL | CITY 2009 | | | | | |
| INTERCHANGEABLE | CIVIC V, CIVIC VI, CIVIC VII, CRX III | | | | | |
| PO | SP | WVA | FMSI | HP | TRW | |
| FRONT (PAD) | | | D621-7497 | | | |



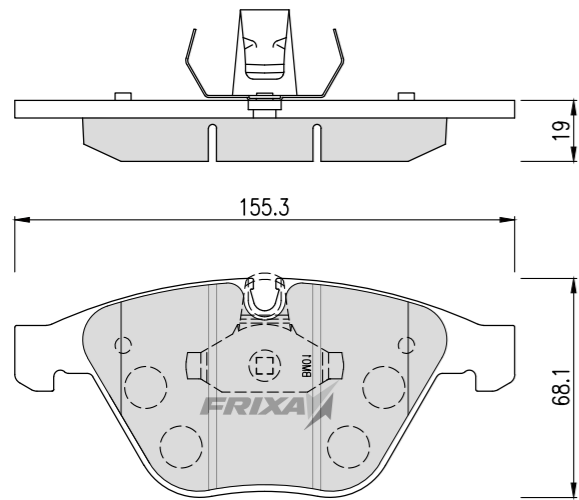
| FPE175 | | TOYOTA | | | | |
|----------------------|-------------|--------|------------|----|-----|--|
| PART NUMBER | 04465-06090 | | | | | |
| REPRESENTATIVE MODEL | CAMRY | | | | | |
| INTERCHANGEABLE | | | | | | |
| PO | SP | WVA | FMSI | HP | TRW | |
| FRONT (PAD) | SP1590 | 25610 | D1726-8950 | | | |



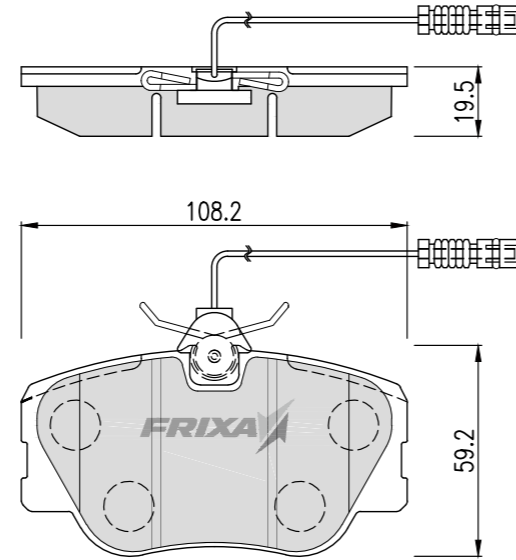
| FPE176 | | TOYOTA | | | | |
|----------------------|-------------|--------|------------|--------|-----|--|
| PART NUMBER | 04466-06080 | | | | | |
| REPRESENTATIVE MODEL | CAMRY | | | | | |
| INTERCHANGEABLE | | | | | | |
| PO | SP | WVA | FMSI | HP | TRW | |
| REAR (PAD) | SP1236 | 25599 | D1727-8951 | HP5244 | | |



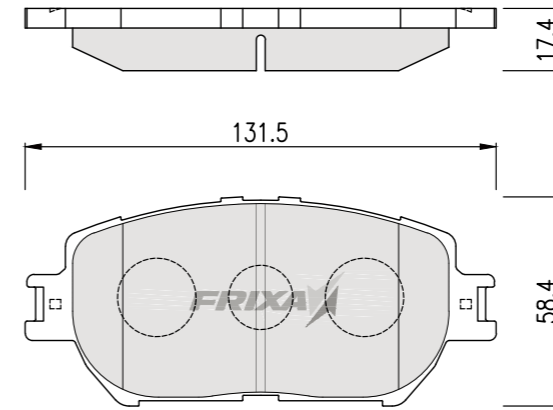
| FPE178 | | BMW | | | | |
|----------------------|----------------------------|-------|-----------|--------|-----|--|
| PART NUMBER | 34 11 2 283 865 | | | | | |
| REPRESENTATIVE MODEL | 528 | | | | | |
| INTERCHANGEABLE | 1 COUPE, 3 COUPE, 5 SERIES | | | | | |
| PO | SP | WVA | FMSI | HP | TRW | |
| FRONT (PAD) | SP2210 | 23311 | D918-7799 | HP5196 | | |



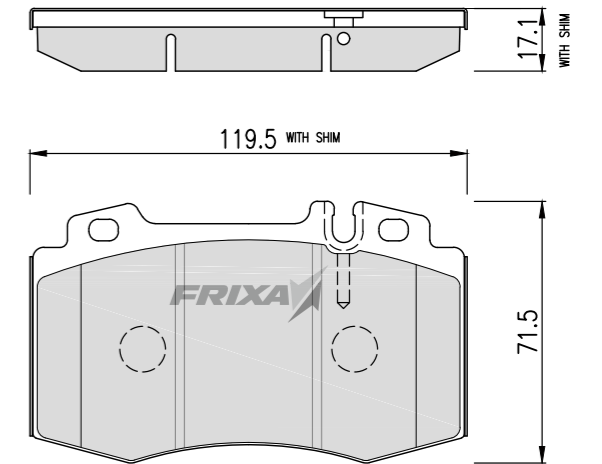
| FPE179 | | MERCEDES-BENZ | | | | |
|----------------------|---------------|---------------|-----------|--------|-----|--|
| PART NUMBER | 000 142 99 20 | | | | | |
| REPRESENTATIVE MODEL | BENZ E300 | | | | | |
| INTERCHANGEABLE | E CLASS | | | | | |
| PO | SP | WVA | FMSI | HP | TRW | |
| FRONT (PAD) | | 20940 | D423-7311 | HP5027 | | |



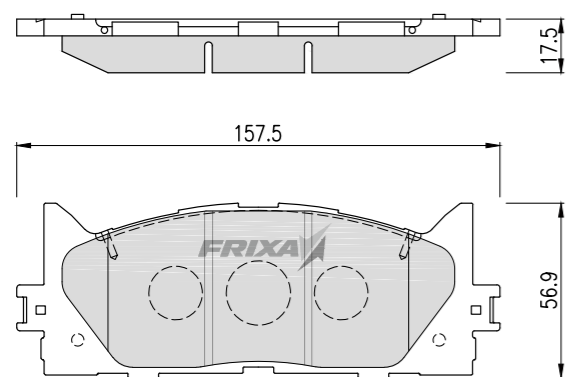
| FPE182(FPE019) | | TOYOTA | | | | |
|----------------------|-------------|--------|-----------|--------|-----|--|
| PART NUMBER | 04465-30340 | | | | | |
| REPRESENTATIVE MODEL | CAMRY | | | | | |
| INTERCHANGEABLE | | | | | | |
| PO | SP | WVA | FMSI | HP | TRW | |
| FRONT (PAD) | SP2037 | 23928 | D908-7787 | HP5053 | | |



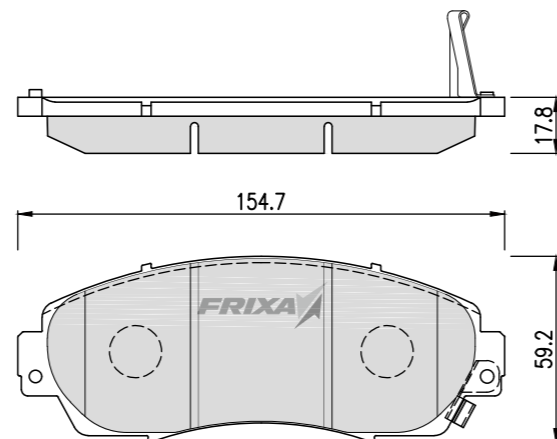
| FPE183(S1BEN02) | | MERCEDES-BENZ | | | | |
|----------------------|-------------------|---------------|-----------|--------|-----|--|
| PART NUMBER | 003 420 05 20 | | | | | |
| REPRESENTATIVE MODEL | C200 | | | | | |
| INTERCHANGEABLE | S-CLASS, ML-CLASS | | | | | |
| PO | SP | WVA | FMSI | HP | TRW | |
| FRONT (PAD) | SP2193 | 23045 | D847-7723 | HP5148 | | |



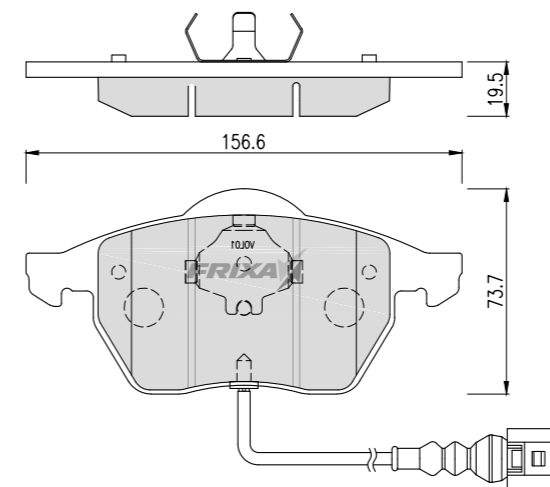
| FPE180 | | LEXUS | | | | |
|----------------------|--------------|-------|------------|--------|-----|--|
| PART NUMBER | 04465-33440 | | | | | |
| REPRESENTATIVE MODEL | LEXUS ES300 | | | | | |
| INTERCHANGEABLE | TOYOTA CAMRY | | | | | |
| PO | SP | WVA | FMSI | HP | TRW | |
| FRONT (PAD) | SP2080 | 24350 | D1222-8331 | HP5242 | | |



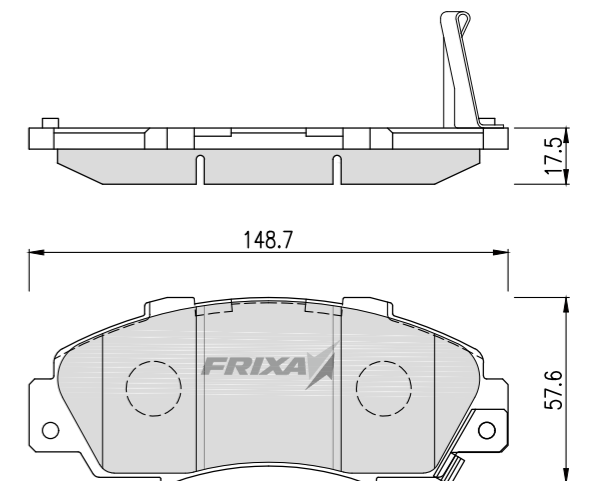
| FPE181 | | HONDA | | | | |
|----------------------|---------------|-------|------------|--------|-----|--|
| PART NUMBER | 45022-SHJ-A50 | | | | | |
| REPRESENTATIVE MODEL | CR-V | | | | | |
| INTERCHANGEABLE | | | | | | |
| PO | SP | WVA | FMSI | HP | TRW | |
| FRONT (PAD) | SP2115 | 24342 | D1089-7994 | HP5169 | | |



| FPE184(FPVWN01) | | VOLKSWAGEN | | | | |
|----------------------|----------------|------------|-----------|--------|-----|--|
| PART NUMBER | 1J0 698 151 K | | | | | |
| REPRESENTATIVE MODEL | VW GOLF 2.0TDI | | | | | |
| INTERCHANGEABLE | | | | | | |
| PO | SP | WVA | FMSI | HP | TRW | |
| FRONT (PAD) | SP2097 | 21848 | D555-7434 | HP8536 | | |



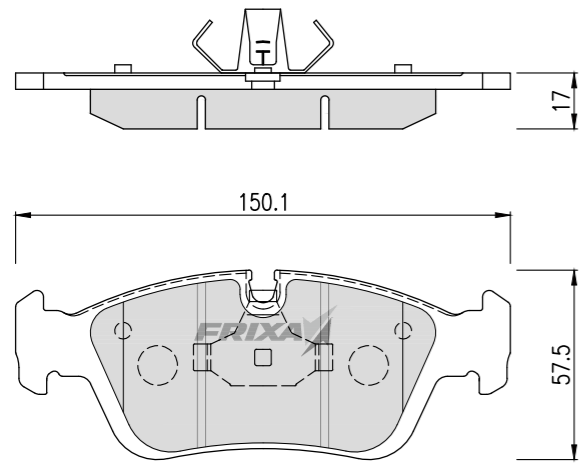
| FPE185(FPHON02) | | HONDA | | | | |
|----------------------|------------------|-------|-----------|--------|--------|--|
| PART NUMBER | 06450-S0A-J00 | | | | | |
| REPRESENTATIVE MODEL | HONDA ACCORD 3.5 | | | | | |
| INTERCHANGEABLE | | | | | | |
| PO | SP | WVA | FMSI | HP | TRW | |
| FRONT (PAD) | SP1076-F | 21651 | D503-7382 | HP5009 | DB1206 | |



FPE186(S1BMW04)

BMW

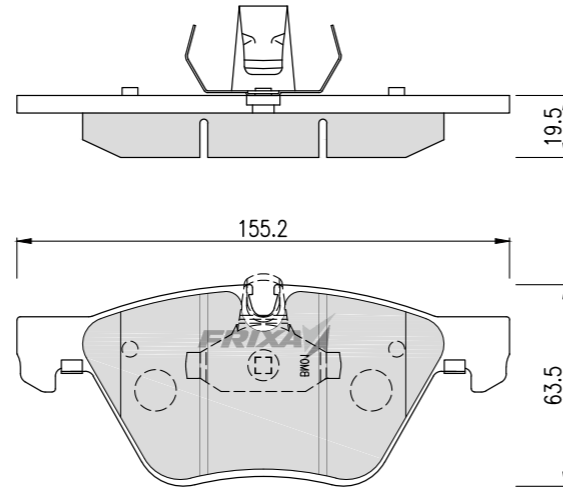
| PART NUMBER | 34 11 1 160 356 | | | | |
|----------------------|------------------------|-------|-----------|--------|-----|
| REPRESENTATIVE MODEL | BMW320D | | | | |
| INTERCHANGEABLE | | | | | |
| PO | SP | WVA | FMSI | HP | TRW |
| FRONT (PAD) | SP1388 | 21292 | D781-7649 | HP5031 | |



FPE187(FPBMW02)

BMW

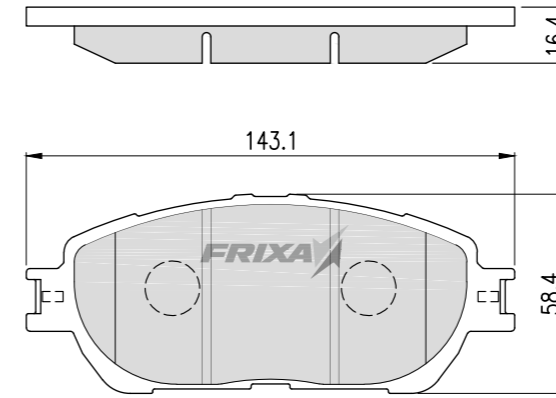
| PART NUMBER | 34 11 6 763 617 | | | | |
|----------------------|------------------------|-------|------------|----|-----|
| REPRESENTATIVE MODEL | BMW520D | | | | |
| INTERCHANGEABLE | | | | | |
| PO | SP | WVA | FMSI | HP | TRW |
| FRONT (PAD) | SP2159 | 23793 | D1061-7967 | | |



FPE190(S1LEX02)

LEXUS

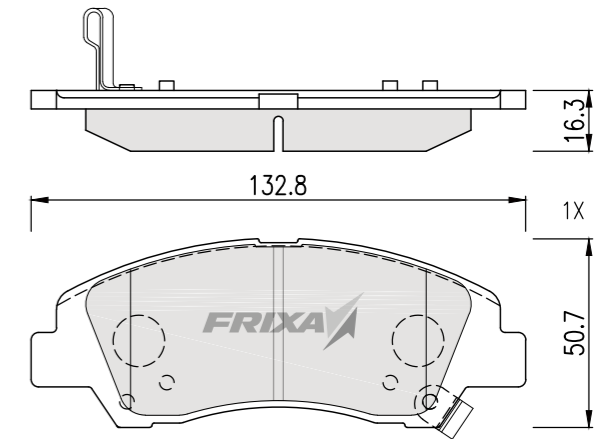
| PART NUMBER | 04465-28510 | | | | |
|----------------------|--------------------|-------|-----------|--------|-----|
| REPRESENTATIVE MODEL | ES330 | | | | |
| INTERCHANGEABLE | | | | | |
| PO | SP | WVA | FMSI | HP | TRW |
| FRONT (PAD) | SP1372 | 23855 | D906-7785 | HP5054 | |



FPE191

HYUNDAI

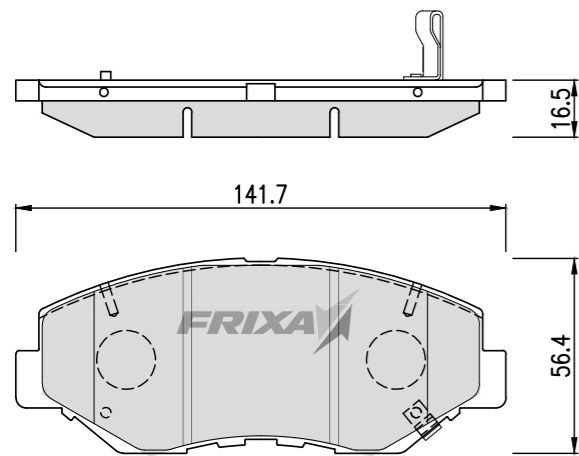
| PART NUMBER | 58101-B4A00 | | | | |
|----------------------|--------------------|-----|------|----|-----|
| REPRESENTATIVE MODEL | GRAND I10 F | | | | |
| INTERCHANGEABLE | | | | | |
| PO | SP | WVA | FMSI | HP | TRW |
| FRONT (PAD) | SP1719 | | | | |



FPE188(S1HON03)

HONDA

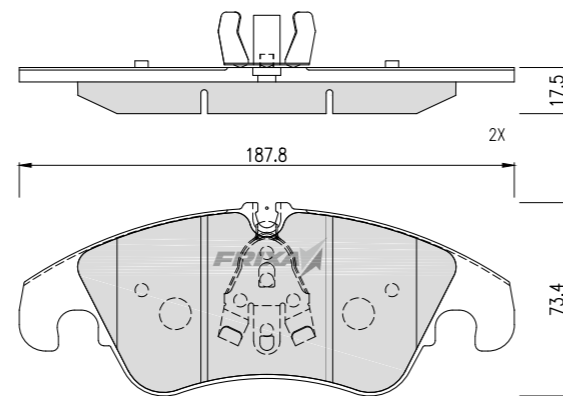
| PART NUMBER | 45022-S9A-A00 | | | | |
|----------------------|----------------------|-------|-----------|--------|-----|
| REPRESENTATIVE MODEL | HONDA ACCORD 2.4 | | | | |
| INTERCHANGEABLE | | | | | |
| PO | SP | WVA | FMSI | HP | TRW |
| FRONT (PAD) | SP1237 | 23856 | D914-7795 | HP5096 | |



FPE189(FPAUD01)

AUDI

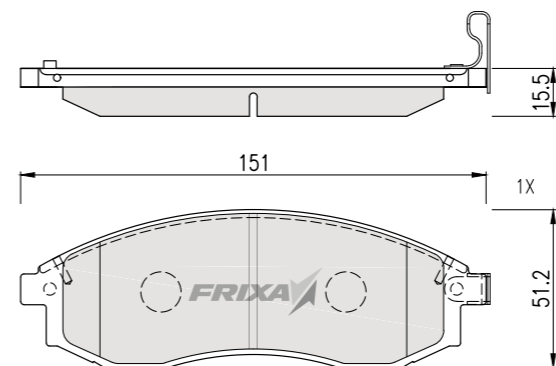
| PART NUMBER | 4G0 698 151 | | | | |
|----------------------|--------------------|-------|------------|----|-----|
| REPRESENTATIVE MODEL | AUDI A4 2.0 TFSI | | | | |
| INTERCHANGEABLE | | | | | |
| PO | SP | WVA | FMSI | HP | TRW |
| FRONT (PAD) | SP2145 | 24264 | D1322-8434 | | |



FPE192

MITSUBISHI

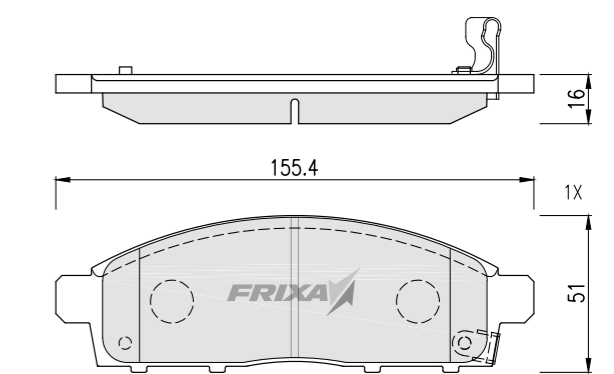
| PART NUMBER | MN 102 617 | | | | |
|----------------------|--------------------|-------|------|--------|---------|
| REPRESENTATIVE MODEL | PICK UP L200 01~06 | | | | |
| INTERCHANGEABLE | | | | | |
| PO | SP | WVA | FMSI | HP | TRW |
| FRONT (PAD) | SP1256 | 23086 | | HP5251 | GDB3327 |



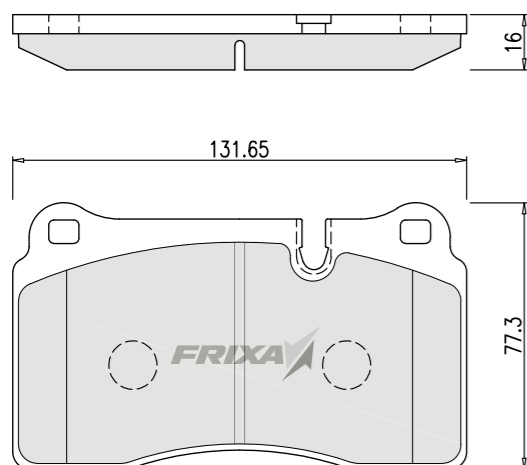
FPE193

MITSUBISHI

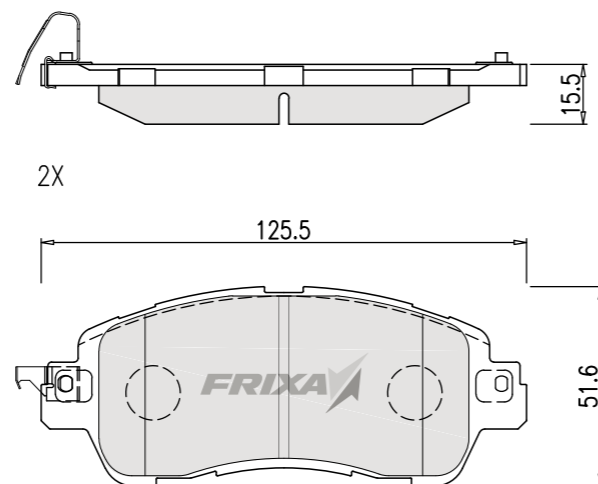
| PART NUMBER | 46 05A 198 | | | | |
|----------------------|--------------------|-------|------------|----|-----|
| REPRESENTATIVE MODEL | PICK UP L200 07~14 | | | | |
| INTERCHANGEABLE | | | | | |
| PO | SP | WVA | FMSI | HP | TRW |
| FRONT (PAD) | SP1361 | 24529 | D1519-8728 | | |



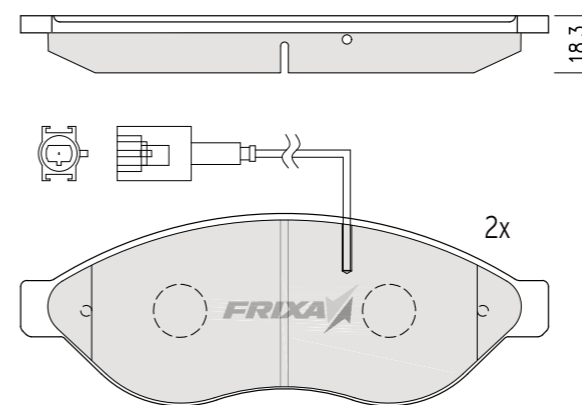
| FPE194 | | LAND ROVER | | | |
|----------------------|-------------|------------|------------|----|-----|
| PART NUMBER | 107856041 | | | | |
| REPRESENTATIVE MODEL | RANGE ROVER | | | | |
| INTERCHANGEABLE | | | | | |
| PO | SP | WVA | FMSI | HP | TRW |
| FRONT (PAD) | SP2235 | 20217 | D1263-8380 | | |



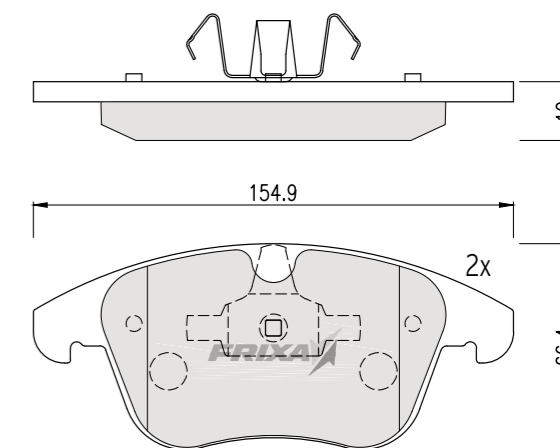
| FPE195 | | MAZDA | | | |
|----------------------|--------------|-------|------------|----|-----|
| PART NUMBER | DAY6-33-28ZA | | | | |
| REPRESENTATIVE MODEL | MAZDA 2 | | | | |
| INTERCHANGEABLE | | | | | |
| PO | SP | WVA | FMSI | HP | TRW |
| FRONT (PAD) | | 22235 | D1852-9081 | | |



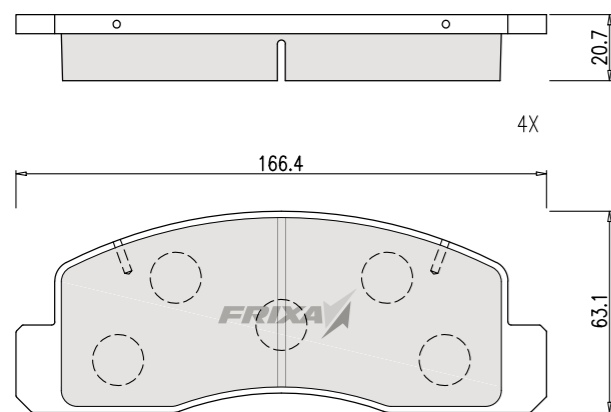
| FPE212 | | PEUGEOT | | | |
|----------------------|---------------|---------|------------|----|-----|
| PART NUMBER | 16 078 783 80 | | | | |
| REPRESENTATIVE MODEL | BOCER 3 | | | | |
| INTERCHANGEABLE | | | | | |
| PO | SP | WVA | FMSI | HP | TRW |
| FRONT (PAD) | | 24468 | D1489-8689 | | |



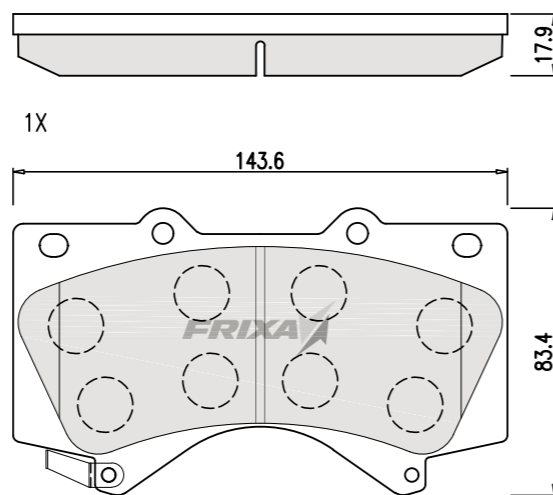
| FPE213 | | FORD | | | |
|----------------------|-----------|-------|------------|----|-----|
| PART NUMBER | 1 379 971 | | | | |
| REPRESENTATIVE MODEL | GALAXY 3 | | | | |
| INTERCHANGEABLE | | | | | |
| PO | SP | WVA | FMSI | HP | TRW |
| FRONT (PAD) | SP2101-F | 24123 | D1306-8421 | | |



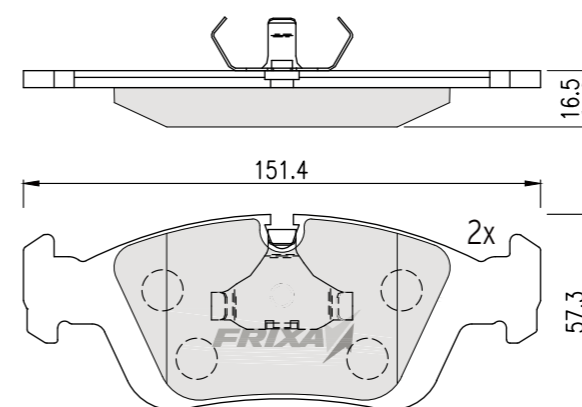
| FPE196(FPLEX02) | | LEXUS | | | |
|----------------------|-------------|-------|-----------|----|-----|
| PART NUMBER | 04465-28510 | | | | |
| REPRESENTATIVE MODEL | LEXUS ES330 | | | | |
| INTERCHANGEABLE | | | | | |
| PO | SP | WVA | FMSI | HP | TRW |
| FRONT (PAD) | SP1372 | 23855 | D906-7785 | | |



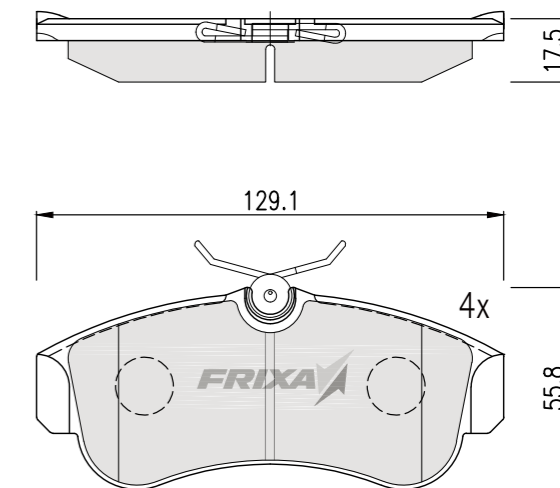
| FPE197 | | LEXUS | | | |
|----------------------|-------------|-------|------------|--------|-----|
| PART NUMBER | 04465-0C020 | | | | |
| REPRESENTATIVE MODEL | LEXUS | | | | |
| INTERCHANGEABLE | LX570 | | | | |
| PO | SP | WVA | FMSI | HP | TRW |
| FRONT (PAD) | SP1381 | 24386 | D1303-8419 | HP5213 | |



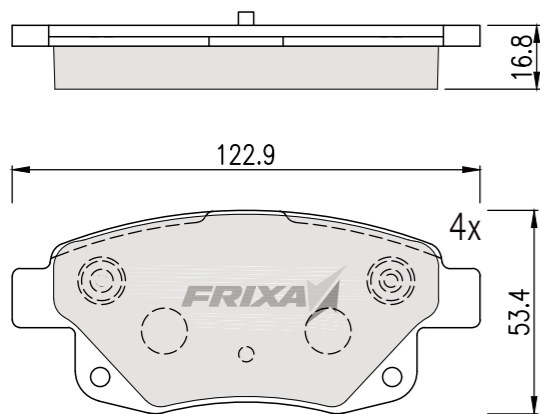
| FPE214 | | BMW | | | |
|----------------------|-----------------|-------|-----------|--------|-----|
| PART NUMBER | 34 11 1 160 356 | | | | |
| REPRESENTATIVE MODEL | 3 SERIES (E36) | | | | |
| INTERCHANGEABLE | | | | | |
| PO | SP | WVA | FMSI | HP | TRW |
| FRONT (PAD) | | 21292 | D558-7437 | HP5270 | |



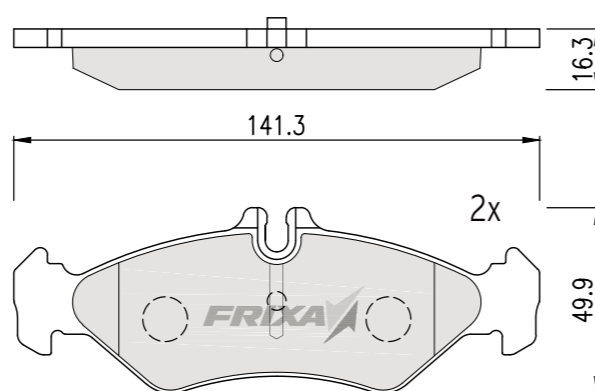
| FPE215 | | NISSAN | | | |
|----------------------|-------------|--------|------|----|-----|
| PART NUMBER | 41060-2F025 | | | | |
| REPRESENTATIVE MODEL | ALMERA 2 | | | | |
| INTERCHANGEABLE | | | | | |
| PO | SP | WVA | FMSI | HP | TRW |
| FRONT (PAD) | SP1581 | 21546 | | | |



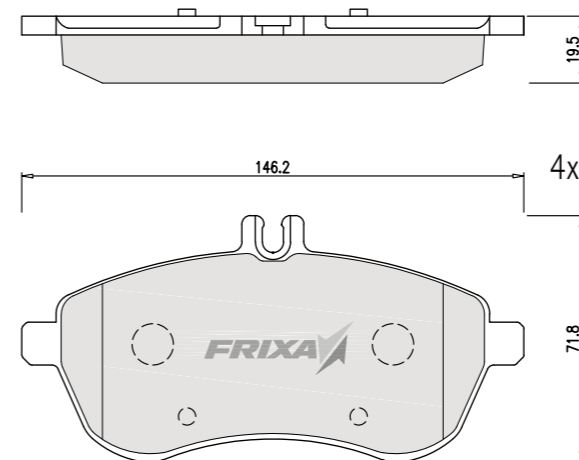
| FPE216 | | FORD | | | | |
|----------------------|-----------|-------|------------|----|-----|--|
| PART NUMBER | 1 371 454 | | | | | |
| REPRESENTATIVE MODEL | TRANSIT 5 | | | | | |
| INTERCHANGEABLE | | | | | | |
| PO | SP | WVA | FMSI | HP | TRW | |
| REAR (PAD) | | 22017 | D1502-8701 | | | |



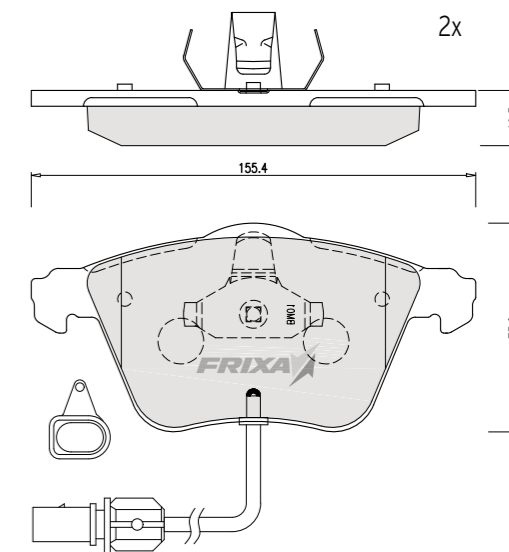
| FPE217 | | MERCEDES-BENZ | | | | |
|----------------------|-----------------------|---------------|-----------|----|-----|--|
| PART NUMBER | 000 421 24 10 | | | | | |
| REPRESENTATIVE MODEL | SPRINTER 2-t(901,902) | | | | | |
| INTERCHANGEABLE | | | | | | |
| PO | SP | WVA | FMSI | HP | TRW | |
| REAR (PAD) | | 21621 | D951-7850 | | | |



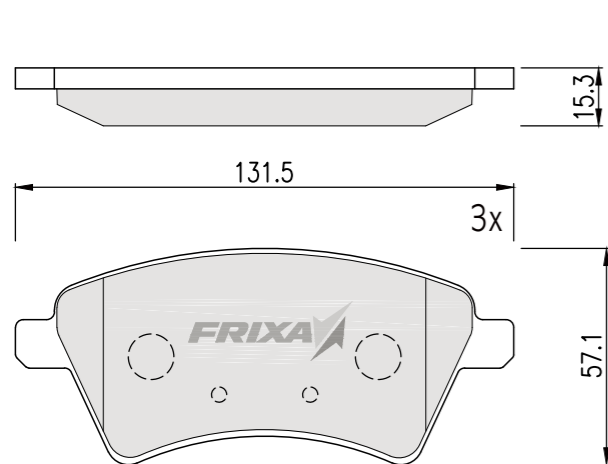
| FPE220 | | MERCEDES-BENZ | | | | |
|----------------------|----------------|---------------|------------|----|-----|--|
| PART NUMBER | 005 420 08 20 | | | | | |
| REPRESENTATIVE MODEL | C-CLASS (A205) | | | | | |
| INTERCHANGEABLE | | | | | | |
| PO | SP | WVA | FMSI | HP | TRW | |
| FRONT (PAD) | SP2284 | 24207 | D1340-8421 | | | |



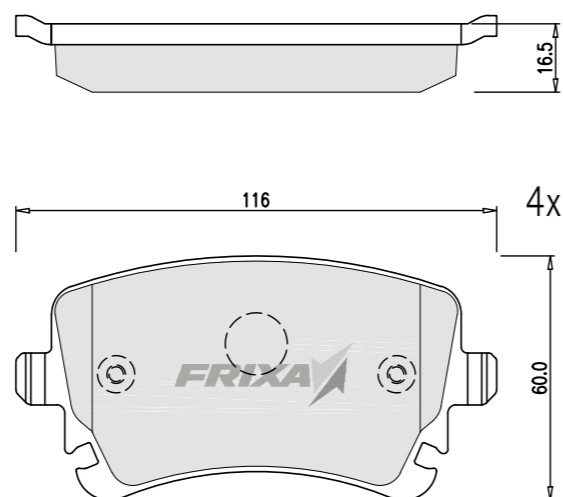
| FPE221 | | AUDI | | | | |
|----------------------|---------------|-------|-----------|--------|-----|--|
| PART NUMBER | 4E0 698 151 F | | | | | |
| REPRESENTATIVE MODEL | A4 (8D2, B5) | | | | | |
| INTERCHANGEABLE | | | | | | |
| PO | SP | WVA | FMSI | HP | TRW | |
| FRONT (PAD) | SP1705 | 23762 | D915-7796 | HP5254 | | |



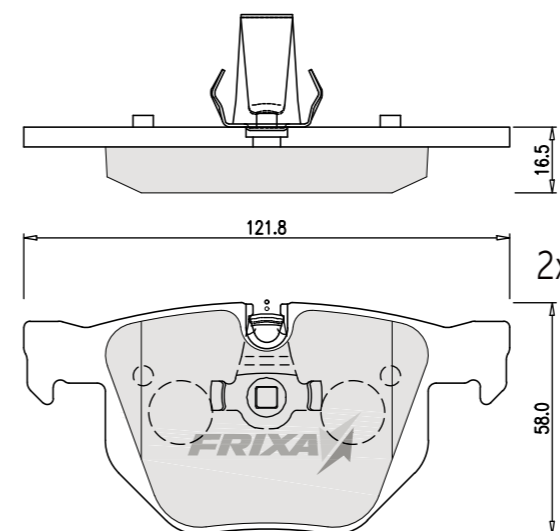
| FPE218 | | SUZUKI | | | | |
|----------------------|-------------|--------|------|----|-----|--|
| PART NUMBER | 7 174 285 3 | | | | | |
| REPRESENTATIVE MODEL | SX4 | | | | | |
| INTERCHANGEABLE | | | | | | |
| PO | SP | WVA | FMSI | HP | TRW | |
| FRONT (PAD) | SP1751 | 24391 | | | | |



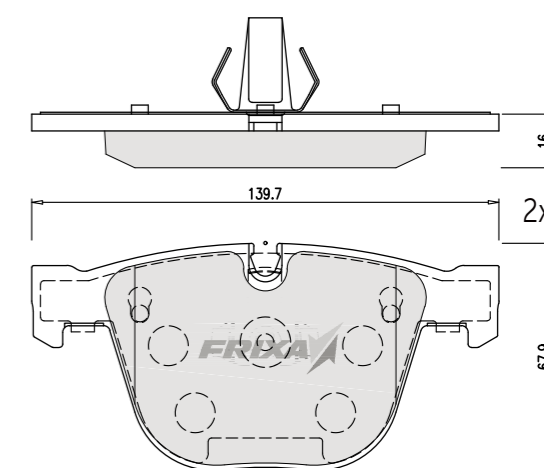
| FPE219 | | AUDI | | | | |
|----------------------|----------------|-------|------------|--------|-----|--|
| PART NUMBER | 4B3 698 451 | | | | | |
| REPRESENTATIVE MODEL | A3 | | | | | |
| INTERCHANGEABLE | A3 2 SPORTBACK | | | | | |
| PO | SP | WVA | FMSI | HP | TRW | |
| REAR (PAD) | SP2112-R | 23326 | D1018-7921 | HP8542 | | |



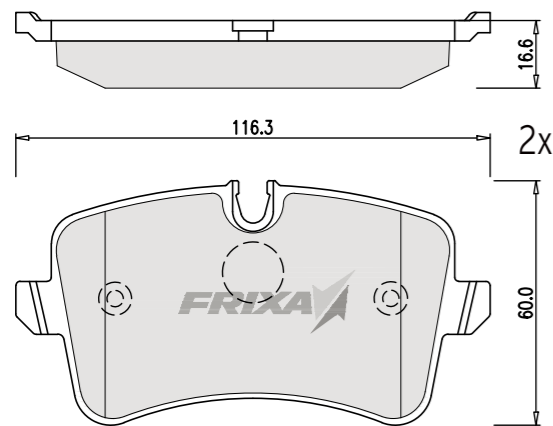
| FPE222 | | BMW | | | | |
|----------------------|-----------------|-------|------|----|-----|--|
| PART NUMBER | 34 21 6 763 043 | | | | | |
| REPRESENTATIVE MODEL | 5 SERIES (E61) | | | | | |
| INTERCHANGEABLE | | | | | | |
| PO | SP | WVA | FMSI | HP | TRW | |
| REAR (PAD) | SP2215 | 23732 | | | | |



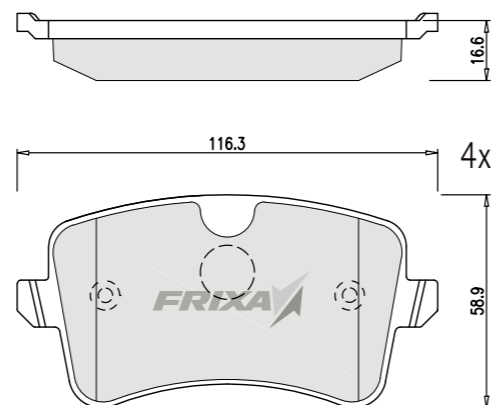
| FPE223 | | BMW | | | | |
|----------------------|-----------------|-------|-----------|----|-----|--|
| PART NUMBER | 34 21 6 768 471 | | | | | |
| REPRESENTATIVE MODEL | 5 SERIES (F07) | | | | | |
| INTERCHANGEABLE | | | | | | |
| PO | SP | WVA | FMSI | HP | TRW | |
| REAR (PAD) | SP2164 | 23731 | D919-7820 | | | |



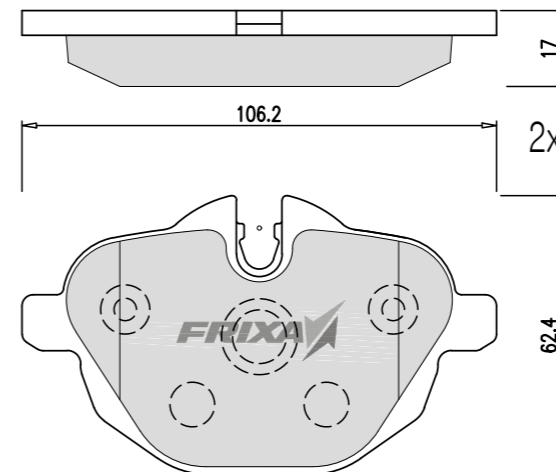
| FPE224 | | AUDI | | | | |
|----------------------|----------------------|-------|------------|----|-----|--|
| PART NUMBER | 4G0 698 451 | | | | | |
| REPRESENTATIVE MODEL | A6 IV (4G5, C7, 4GD) | | | | | |
| INTERCHANGEABLE | YARIS | | | | | |
| PO | SP | WVA | FMSI | HP | TRW | |
| REAR (PAD) | SP2317 | 24606 | D1547-8785 | | | |



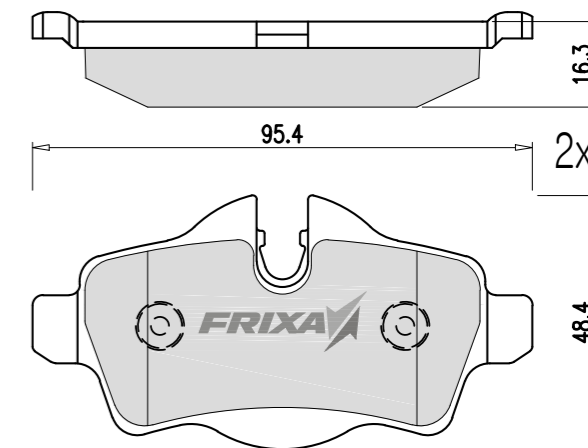
| FPE225 | | AUDI | | | | |
|----------------------|--------------------|-------|------------|----|-----|--|
| PART NUMBER | 8K0 698 451 | | | | | |
| REPRESENTATIVE MODEL | A4 (8K5, B8) | | | | | |
| INTERCHANGEABLE | | | | | | |
| PO | SP | WVA | FMSI | HP | TRW | |
| REAR (PAD) | SP2146 | 24606 | D1386-8494 | | | |



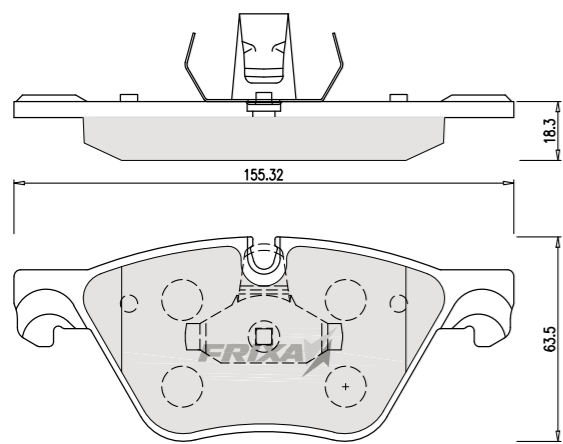
| FPE233 | | BMW | | | | |
|----------------------|------------------------|-------|------------|----|-----|--|
| PART NUMBER | 34 20 6 879 857 | | | | | |
| REPRESENTATIVE MODEL | 5 SERIES (F11) | | | | | |
| INTERCHANGEABLE | | | | | | |
| PO | SP | WVA | FMSI | HP | TRW | |
| REAR (PAD) | SP2275 | 24561 | D1473-8672 | | | |



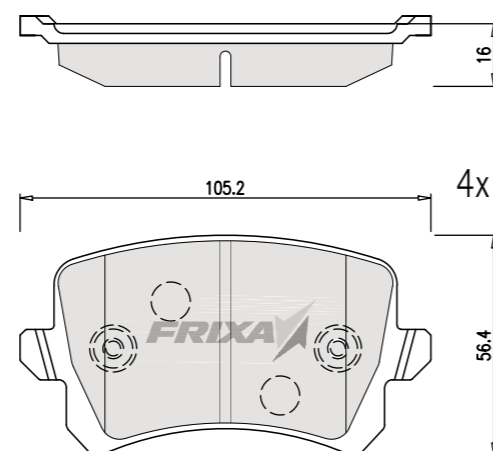
| FPE234 | | MINI | | | | |
|----------------------|------------------------|-------|------------|----|-----|--|
| PART NUMBER | 34 21 6 772 894 | | | | | |
| REPRESENTATIVE MODEL | MINI (R52) | | | | | |
| INTERCHANGEABLE | | | | | | |
| PO | SP | WVA | FMSI | HP | TRW | |
| REAR (PAD) | SP2246 | 24289 | D1309-8424 | | | |



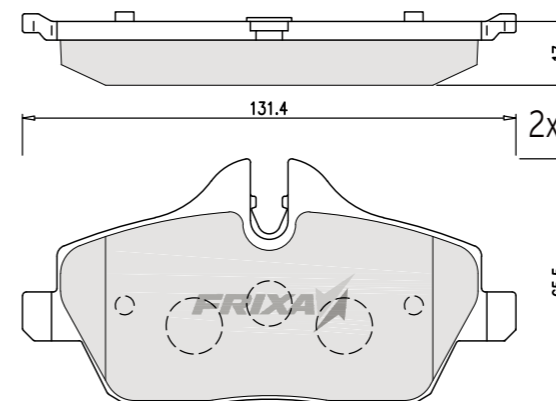
| FPE227 | | BMW | | | | |
|----------------------|------------------------|-------|------------|----|-----|--|
| PART NUMBER | 34 11 6 775 310 | | | | | |
| REPRESENTATIVE MODEL | 5 SERIES (F11) | | | | | |
| INTERCHANGEABLE | | | | | | |
| PO | SP | WVA | FMSI | HP | TRW | |
| FRONT (PAD) | SP1699 | 23794 | D1504-8705 | | | |



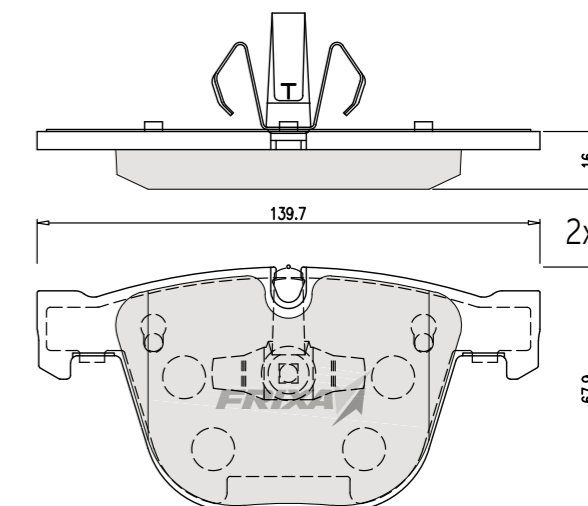
| FPE229 | | AUDI | | | | |
|----------------------|----------------------|-------|------------|----|-----|--|
| PART NUMBER | 1K0 698 451 L | | | | | |
| REPRESENTATIVE MODEL | A6 (4G5, C7, 4GD) | | | | | |
| INTERCHANGEABLE | | | | | | |
| PO | SP | WVA | FMSI | HP | TRW | |
| REAR (PAD) | SP2263 | 22192 | D1348-8213 | | | |



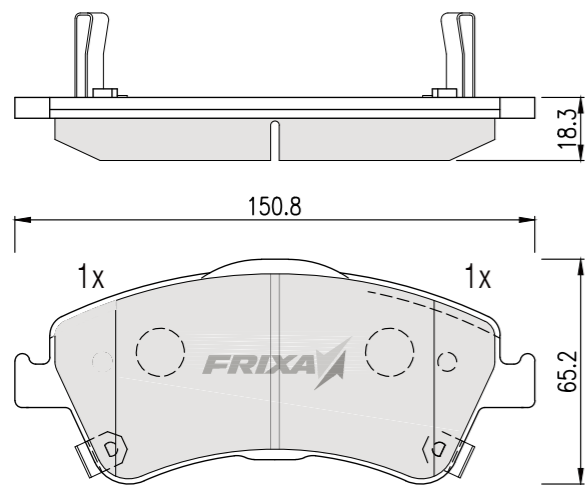
| FPE235 | | BMW | | | | |
|----------------------|------------------------|-------|------------|----|-----|--|
| PART NUMBER | 34 11 6 767 143 | | | | | |
| REPRESENTATIVE MODEL | 1 SERIES (E88) | | | | | |
| INTERCHANGEABLE | | | | | | |
| PO | SP | WVA | FMSI | HP | TRW | |
| FRONT (PAD) | SP2245 | 23915 | D1308-8423 | | | |



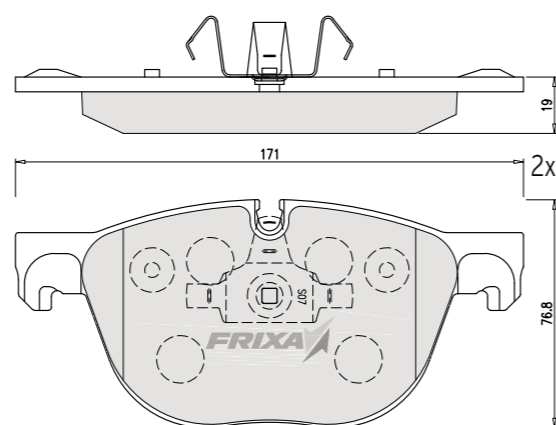
| FPE236 | | BMW | | | | |
|----------------------|------------------------|-------|-----------|----|-----|--|
| PART NUMBER | 34 21 6 775 342 | | | | | |
| REPRESENTATIVE MODEL | B7 (F01,F02) | | | | | |
| INTERCHANGEABLE | | | | | | |
| PO | SP | WVA | FMSI | HP | TRW | |
| REAR (PAD) | | 23731 | D919-7820 | | | |



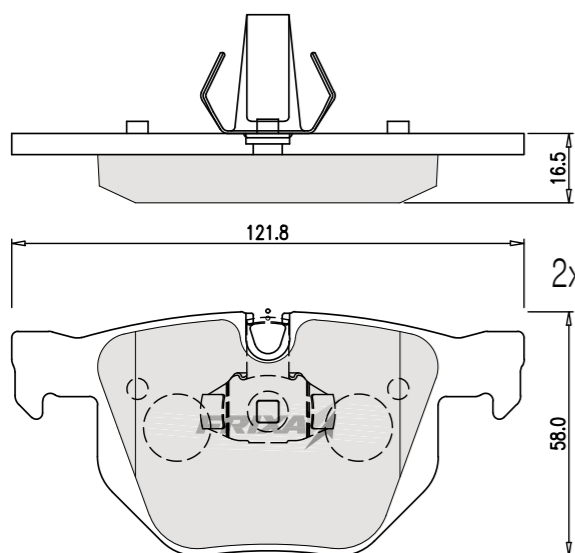
| FPE237 | | TOYOTA | | | | |
|----------------------|-------------------------|--------|------|----|-----|--|
| PART NUMBER | 04465-02280 | | | | | |
| REPRESENTATIVE MODEL | AVENSIS 3(ZRT27, ADT27) | | | | | |
| INTERCHANGEABLE | | | | | | |
| PO | SP | WVA | FMSI | HP | TRW | |
| FRONT (PAD) | SP1580 | 24668 | | | | |



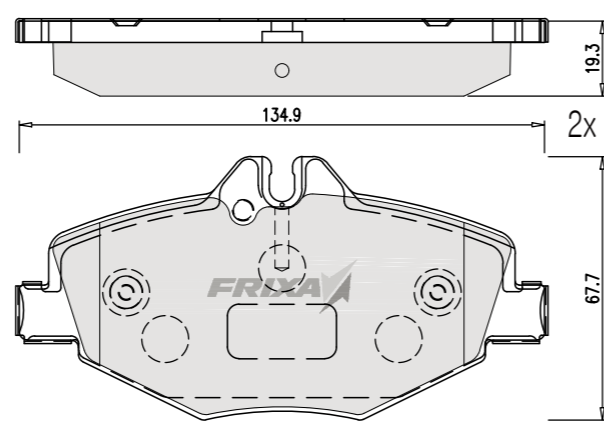
| FPE238 | | BMW | | | | |
|----------------------|-----------------|-------|------------|----|-----|--|
| PART NUMBER | 34 11 4 074 370 | | | | | |
| REPRESENTATIVE MODEL | X4(F26) | | | | | |
| INTERCHANGEABLE | E CLASS | | | | | |
| PO | SP | WVA | FMSI | HP | TRW | |
| FRONT (PAD) | SP2172 | 24170 | D1294-8411 | | | |



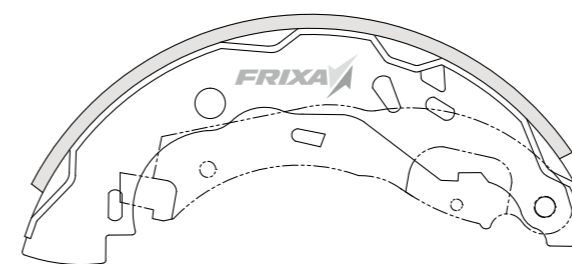
| FPE239 | | BMW | | | | |
|----------------------|-----------------|-------|------------|----|-----|--|
| PART NUMBER | 34 21 6 776 937 | | | | | |
| REPRESENTATIVE MODEL | X5 2 (E70) | | | | | |
| INTERCHANGEABLE | TOYOTA CAMRY | | | | | |
| PO | SP | WVA | FMSI | HP | TRW | |
| REAR (PAD) | SP2157 | 23447 | D1042-7427 | | | |



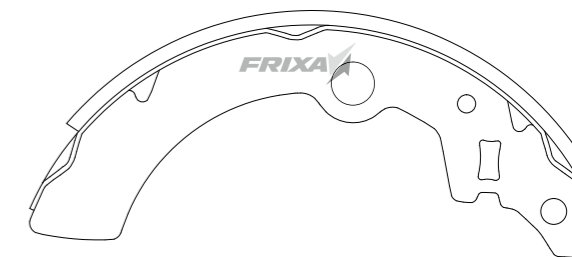
| FPE366 | | MERCEDES-BENZ | | | | |
|----------------------|---------------|---------------|-----------|----|-----|--|
| PART NUMBER | 003 420 65 20 | | | | | |
| REPRESENTATIVE MODEL | E-CLASS(W211) | | | | | |
| INTERCHANGEABLE | | | | | | |
| PO | SP | WVA | FMSI | HP | TRW | |
| FRONT (PAD) | SP2194 | 23428 | D987-7889 | | | |



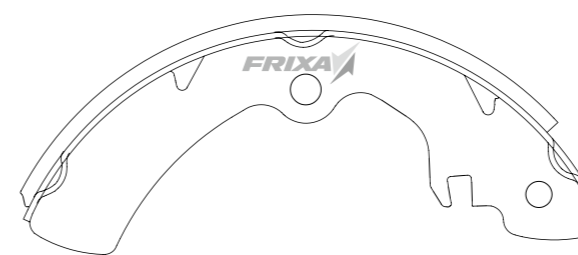
| FLE01 | | RENAULT | | | | |
|----------------------|--|---------|------|----|--------|--|
| PART NUMBER | 77 01 201 758 | | | | | |
| REPRESENTATIVE MODEL | CLIO | | | | | |
| INTERCHANGEABLE | BB0,CB0(98.03-01.05) BB0L,BB0P,CB0L,CB0P(00.02-06.02) BB07,CB07,BB08,CB08,BB0T,BB1D,CB0T,CB1D(01.06-06.02) | | | | | |
| PO | SP | WVA | FMSI | HP | TRW | |
| REAR (SHOE ASS'Y) | | | | | GS8642 | |



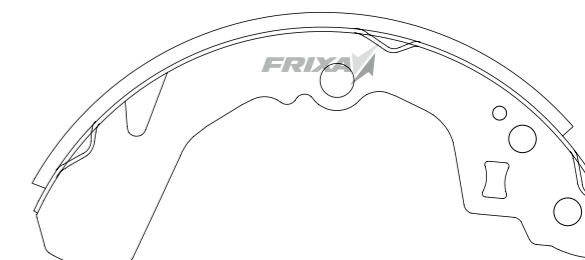
| FLE02 | | SUZUKI | | | | |
|----------------------|--|--------|------|----|--------|--|
| PART NUMBER | 53200-76G20 | | | | | |
| REPRESENTATIVE MODEL | ALTO 1000CC | | | | | |
| INTERCHANGEABLE | CHEVROLET CRUZE,IGNIS,KEI MR WAGON,SWIFT TWIN, WAGON R | | | | | |
| PO | SP | WVA | FMSI | HP | TRW | |
| REAR (SHOE ASS'Y) | | | | | GS8476 | |



| FLE03 | | SUZUKI | | | | |
|----------------------|--------------------|--------|------|----|--------|--|
| PART NUMBER | 52210-79260 | | | | | |
| REPRESENTATIVE MODEL | ST308/JEEP | | | | | |
| INTERCHANGEABLE | ALTO, CARRY, EVERY | | | | | |
| PO | SP | WVA | FMSI | HP | TRW | |
| REAR (SHOE ASS'Y) | | | | | GS8195 | |



| FLE04 | | SUZUKI | | | | |
|----------------------|---|--------|------|----|--------|--|
| PART NUMBER | 53210-70C10 | | | | | |
| REPRESENTATIVE MODEL | MARGALLA/LIAYNA 1.6 | | | | | |
| INTERCHANGEABLE | AERIO ALTO BALENO CERVO CULTUS CULTUS CRESCENT ESTEEM SWIFT | | | | | |
| PO | SP | WVA | FMSI | HP | TRW | |
| REAR (SHOE ASS'Y) | | | | | GS8549 | |



KOREAN VEHICLES

FOREIGN VEHICLES (PAD)

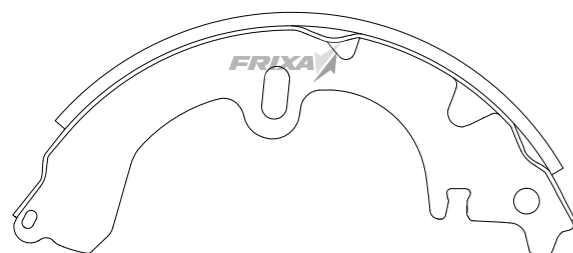
FOREIGN VEHICLES (LINING)

KOREAN VEHICLES

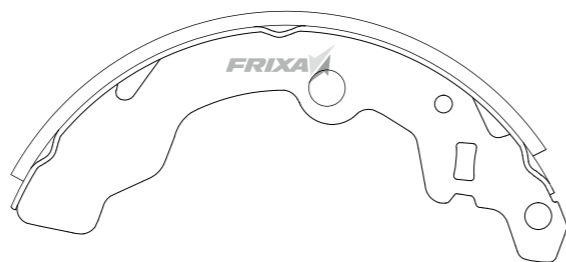
FOREIGN VEHICLES (PAD)

FOREIGN VEHICLES (LINING)

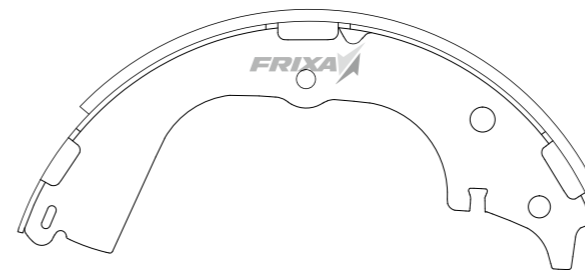
| FLE05 | | TOYOTA | | | | |
|----------------------|--|--------|------|----|--------|--|
| PART NUMBER | 04495-12220 | | | | | |
| REPRESENTATIVE MODEL | EE80 | | | | | |
| INTERCHANGEABLE | CAMRY,CARINA,CELICA,COROLLA,CURREN,SPACIO SPRINTER | | | | | |
| PO | SP | WVA | FMSI | HP | TRW | |
| REAR (SHOE ASS'Y) | | | | | GS8181 | |



| FLE06 | | SUZUKI | | | | |
|----------------------|--------------|--------|----------|----|--------|--|
| PART NUMBER | 53210-84010 | | | | | |
| REPRESENTATIVE MODEL | ALTO | | | | | |
| INTERCHANGEABLE | CERVO,FRONTE | | | | | |
| PO | SP | WVA | FMSI | HP | TRW | |
| REAR (SHOE ASS'Y) | | | 1363-591 | | GS8302 | |



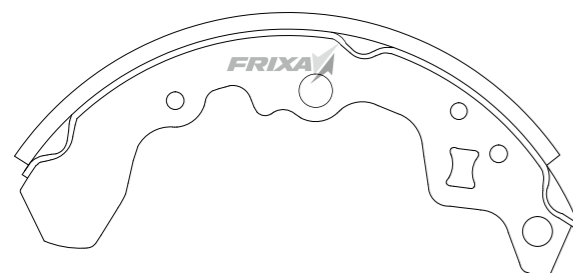
| FLE09 | | TOYOTA | | | | |
|----------------------|------------------------------------|--------|------|----|--------|--|
| PART NUMBER | 04495-26140 | | | | | |
| REPRESENTATIVE MODEL | HIACE 2002 PIN DIFFERNCE AS K 2330 | | | | | |
| INTERCHANGEABLE | LITEACE,TOWNACE | | | | | |
| PO | SP | WVA | FMSI | HP | TRW | |
| REAR (SHOE ASS'Y) | | | | | GS8593 | |



| FLE10 | | TOYOTA | | | | |
|----------------------|---------------------|--------|------|----|--------|--|
| PART NUMBER | 04497-35041 | | | | | |
| REPRESENTATIVE MODEL | HILUX 84 | | | | | |
| INTERCHANGEABLE | HIACE, DYNA/TOYOACE | | | | | |
| PO | SP | WVA | FMSI | HP | TRW | |
| REAR (SHOE ASS'Y) | | | | | GS8171 | |



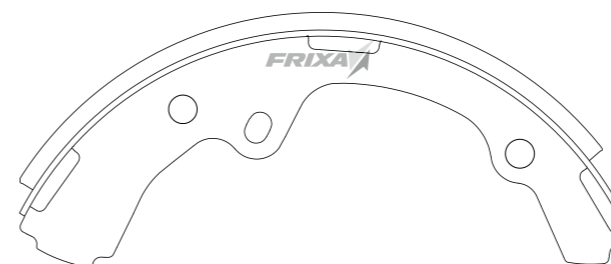
| FLE07 | | SUZUKI | | | | |
|----------------------|-------------|--------|----------|----|--------|--|
| PART NUMBER | 53200-82810 | | | | | |
| REPRESENTATIVE MODEL | SWIFT | | | | | |
| INTERCHANGEABLE | | | | | | |
| PO | SP | WVA | FMSI | HP | TRW | |
| REAR (SHOE ASS'Y) | | | 1384-550 | | GS8248 | |



| FLE08 | | SUZUKI | | | | |
|----------------------|-------------|--------|------|----|-----|--|
| PART NUMBER | 52210-79030 | | | | | |
| REPRESENTATIVE MODEL | ST 30 | | | | | |
| INTERCHANGEABLE | | | | | | |
| PO | SP | WVA | FMSI | HP | TRW | |
| REAR (SHOE ASS'Y) | | | | | | |



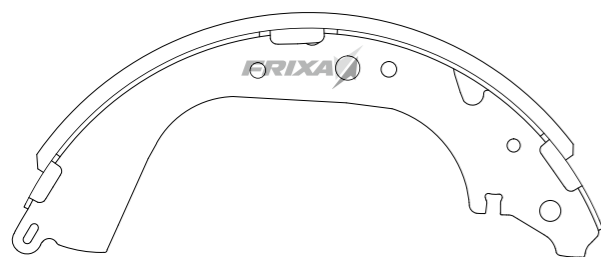
| FLE11 | | TOYOTA | | | | |
|----------------------|-----------------|--------|------|----|--------|--|
| PART NUMBER | 04494-26040 | | | | | |
| REPRESENTATIVE MODEL | HILUX 4*2 FRONT | | | | | |
| INTERCHANGEABLE | | | | | | |
| PO | SP | WVA | FMSI | HP | TRW | |
| REAR (SHOE ASS'Y) | | | | | GS8143 | |



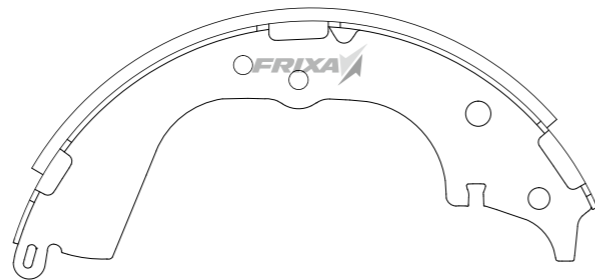
| FLE12 | | TOYOTA | | | | |
|----------------------|--------------|--------|------|----|--------|--|
| PART NUMBER | 04495-60020 | | | | | |
| REPRESENTATIVE MODEL | LAND CRUISER | | | | | |
| INTERCHANGEABLE | DYNA/TOYOACE | | | | | |
| PO | SP | WVA | FMSI | HP | TRW | |
| REAR (SHOE ASS'Y) | | | | | GS8502 | |



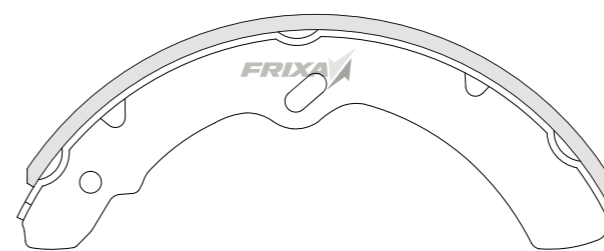
| FLE13 | | TOYOTA | | | | |
|----------------------|---|--------|------|----|--------|--|
| PART NUMBER | 04495-35151 | | | | | |
| REPRESENTATIVE MODEL | 4*4 HILUX 89-2006 | | | | | |
| INTERCHANGEABLE | DYNA,TOYOACE, LAND CRUISER,TACOMA TUNDRA, HIACE | | | | | |
| PO | SP | WVA | FMSI | HP | TRW | |
| REAR (SHOE ASS'Y) | | | | | GS8501 | |



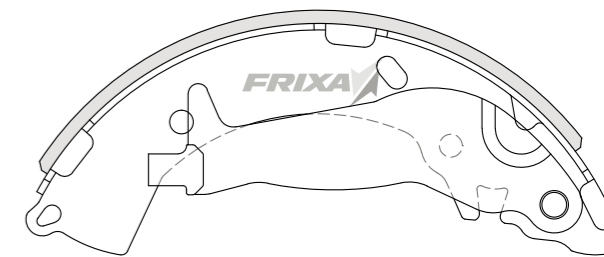
| FLE14 | | TOYOTA | | | | |
|----------------------|----------------|--------|------|----|--------|--|
| PART NUMBER | K 2330 / 2317B | | | | | |
| REPRESENTATIVE MODEL | HIACE LH114 | | | | | |
| INTERCHANGEABLE | | | | | | |
| PO | SP | WVA | FMSI | HP | TRW | |
| REAR (SHOE ASS'Y) | | | | | GS8693 | |



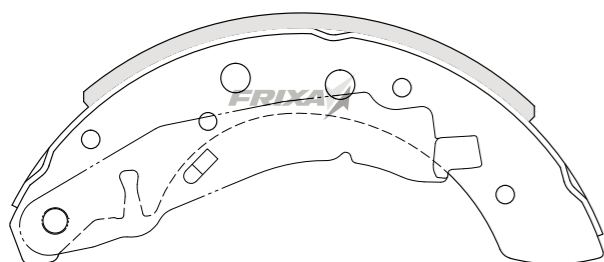
| FLE17 | | NISSAN | | | | |
|----------------------|---------------|--------|------|----|--------|--|
| PART NUMBER | 41060-T9627 | | | | | |
| REPRESENTATIVE MODEL | SAIPA | | | | | |
| INTERCHANGEABLE | ATALAS CONDOR | | | | | |
| PO | SP | WVA | FMSI | HP | TRW | |
| REAR (SHOE ASS'Y) | | | | | GS7017 | |



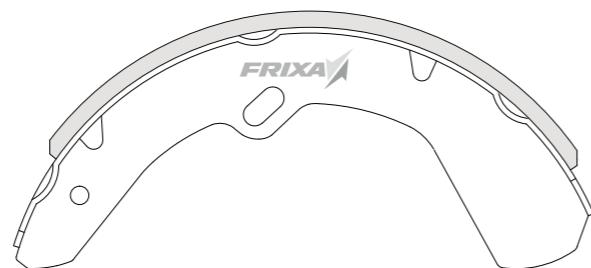
| FLE18(FLK23) | | HYUNDAI | | | | |
|----------------------|------------------------|---------|------|----|--------|--|
| PART NUMBER | 58305 B4A70 | | | | | |
| REPRESENTATIVE MODEL | GRAND I10 | | | | | |
| INTERCHANGEABLE | ALL NEW PRIDE CLICK 8" | | | | | |
| PO | SP | WVA | FMSI | HP | TRW | |
| REAR (SHOE ASS'Y) | SA133 | | | | GS8785 | |



| FLE15 | | KHODRO | | | | |
|----------------------|---------------|--------|------|----|-----|--|
| PART NUMBER | 1J0 698 151 K | | | | | |
| REPRESENTATIVE MODEL | NEW SAMAND | | | | | |
| INTERCHANGEABLE | | | | | | |
| PO | SP | WVA | FMSI | HP | TRW | |
| REAR (SHOE ASS'Y) | | | | | | |



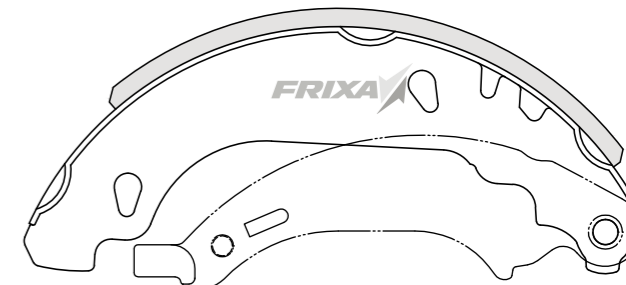
| FLE16 | | NISSAN | | | | |
|----------------------|-------------|--------|------|----|--------|--|
| PART NUMBER | 41060-T3226 | | | | | |
| REPRESENTATIVE MODEL | SAIPA | | | | | |
| INTERCHANGEABLE | ZAMYAD | | | | | |
| PO | SP | WVA | FMSI | HP | TRW | |
| FRONT (SHOE ASS'Y) | | | | | GS7022 | |



| FLE023 | | PEUGEOT | | | | |
|----------------------|--------|---------|------|----|--------|--|
| PART NUMBER | 424155 | | | | | |
| REPRESENTATIVE MODEL | 405 | | | | | |
| INTERCHANGEABLE | | | | | | |
| PO | SP | WVA | FMSI | HP | TRW | |
| REAR (SHOE ASS'Y) | SA158 | | | | GS8272 | |



| FLE024 | | PEUGEOT | | | | |
|----------------------|---------|---------|------|----|--------|--|
| PART NUMBER | 4241K5 | | | | | |
| REPRESENTATIVE MODEL | 206 1.4 | | | | | |
| INTERCHANGEABLE | 4241N1 | | | | | |
| PO | SP | WVA | FMSI | HP | TRW | |
| REAR (SHOE ASS'Y) | SA157 | | | | GS8642 | |



TM **FRIXA** 
BRAKE SYSTEM

Distributed by
 **HANKOOK**
driving emotion

